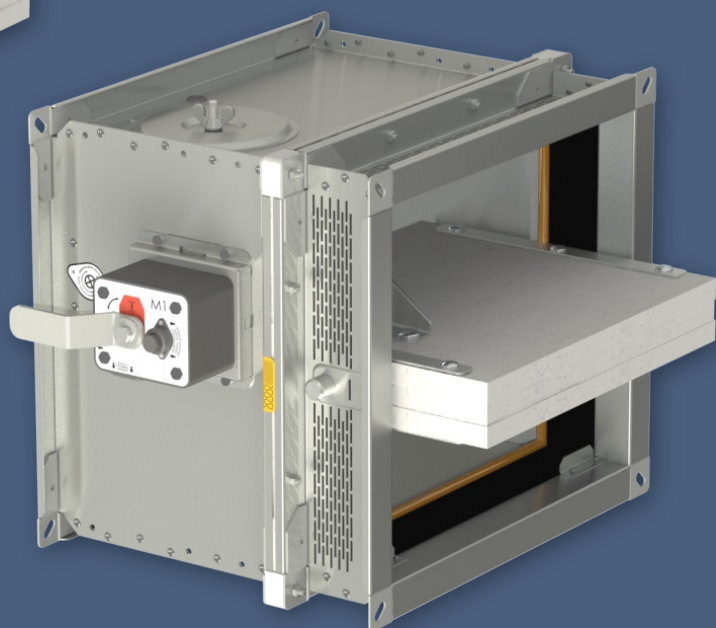


FDMQ 180

Fire damper

Technical Documentation

Installation, Commissioning, Operation, Maintenance and Service Manual



CE
1391

These technical specifications state a row of manufactured sizes and models of fire dampers FDMQ 180
It is valid for production, designing, ordering, delivery, maintenance and operation.

CONTENT

I. GENERAL.....	3
Description.....	3
II. DESIGN.....	4
Design with manual control.....	4
Design with spring return actuator.....	6
Design with the communication and supply device.....	12
Communication and control device BKS 24-1B and BKS 24-9A.....	16
III. DIMENSIONS.....	18
Technical parameters.....	20
IV. INSTALLATION.....	25
Placement and installation.....	25
Statement of installations.....	26
Installation in solid wall construction.....	27
Installation in solid ceiling construction.....	28
V. SUSPENSION SYSTEMS.....	29
Example of duct connection.....	32
VI. TECHNICAL DATA.....	33
Pressure loss.....	33
Noise data.....	35
VII. MATERIAL, FINISHING.....	36
VIII. TRANSPORTATION, STORAGE AND WARRANTY.....	37
Logistic terms.....	37
Warranty.....	37
IX. ASSEMBLY, ATTENDANCE AND MAINTENANCE.....	38
Commissioning and revisions.....	40
X. ORDERING INFORMATIONS.....	42
Ordering key.....	42
Data label.....	42

I. GENERAL

Description

Fire dampers are shutters in ducts of air-conditioning devices that prevent the spread of fire and combustion products from one fire segment to the other one by means of closing the duct in the points of fire separating constructions.

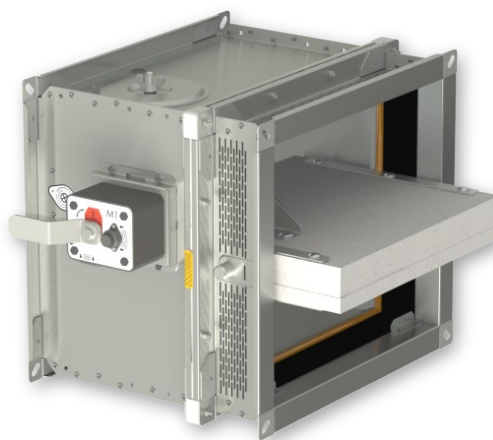
Damper blade automatically closes air duct using a closing spring or a spring return actuator. The closing spring is actuated by pressing a button on the manual control or by melting a thermal fuse.

The return spring of the actuator is actuated when a thermoelectric activation device BAT is activated, when a test button on BAT is pressed or when power supply of the actuator is interrupted.

After closing the blade, the damper is sealed with silicon against smoke penetration. On request by customer, the damper can be supplied silicon-free. In the closed position, the damper is also sealed with material which increases its volume due to increasing temperature and air proofs the air duct.



FDMQ 180 with spring return actuator



FDMQ 180 with manual control

Damper characteristics

- CE certified acc. to EN 15650
- Tested in accordance with EN 1366-2
- Classified acc. to EN 13501-3+A1
- External Casing leakage class C, Internal leakage class 3 acc. to EN 1751
- Cycling test in class C₁₀₀₀₀ acc. to EN 15650
- Corrosion resistant acc. to EN 15650
- Certificate of constancy of performance No. 1391-CPR-XXXX/XXXX
- Declaration of Performance No. PM/FDMQ 180/01/XX/X
- Hygienic assessment of fire dampers - Report No. 1.6/pos/19/19b

Working conditions

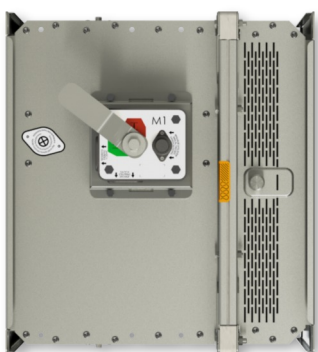
- Exact damper function is provided under the following conditions:
 - maximum air velocity 12 m/s
 - maximum pressure difference 1200 Pa
 - the air circulation in the whole damper section must be secured steady over the entire surface.
- Dampers can be installed in arbitrary position
- Dampers are suitable for systems without abrasive, chemical and adhesive particles.
- Dampers are designed for macroclimatic areas with mild climate according to EN IEC 60 721-3-3 ed.2., class 3K22. (Environment 3K22 is typically protected place with regulated temperature)
- Temperature in the place of installation is permitted to range from -30°C to +50°C.

II. DESIGN

Design with manual control

Design .01

- Design with manual control with a thermal fuse which actuates the shutting device, after the nominal activation temperature 72°C has been reached.
- Automatic initiation of the manual control is not activated if the temperature does not exceed 70°C.
- In case that other activation temperatures are required, thermal fuses with nominal activation temperature +104°C or +147°C can be supplied (this requirement must be specified in the order).



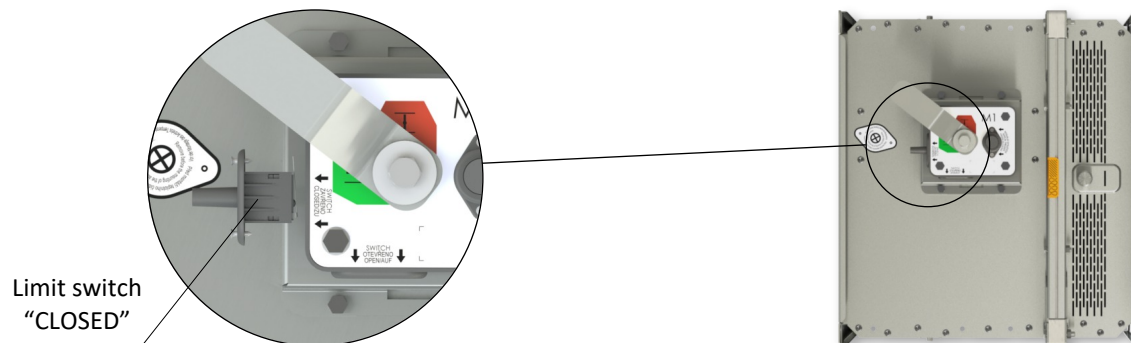
Design .01

ATTENTION:

- Manual controls are produced in five sizes M1 to M5, difference is only in size of a closing spring, which closes the fire damper.
- For the size of fire dampers is always assigned the size of the manual control → see pages 20 to 24
- It is not recommended to use different size of the manual control than given by the manufacturer, otherwise there is a risk of damaging the fire damper.

Design .11

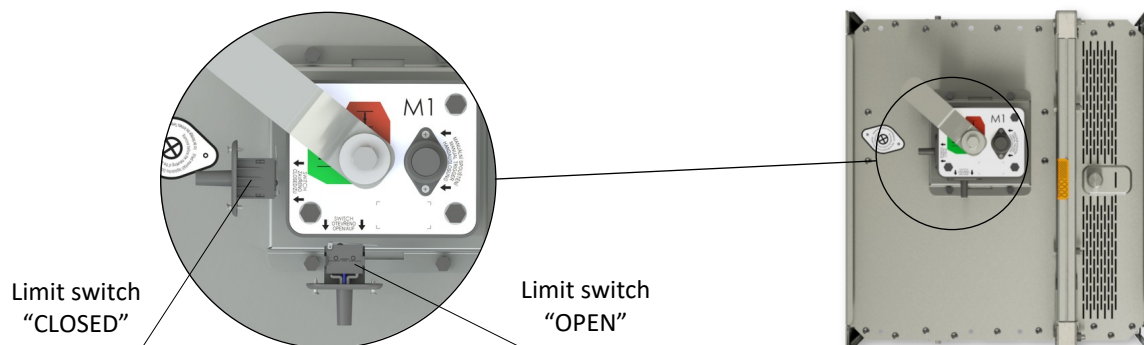
- Design .01 with manual control can be complemented with a limit switch signaling of the damper blade position "CLOSED".
- Cable is connected directly to limit switch.
- Limit switch detail → see page 5



Design .11

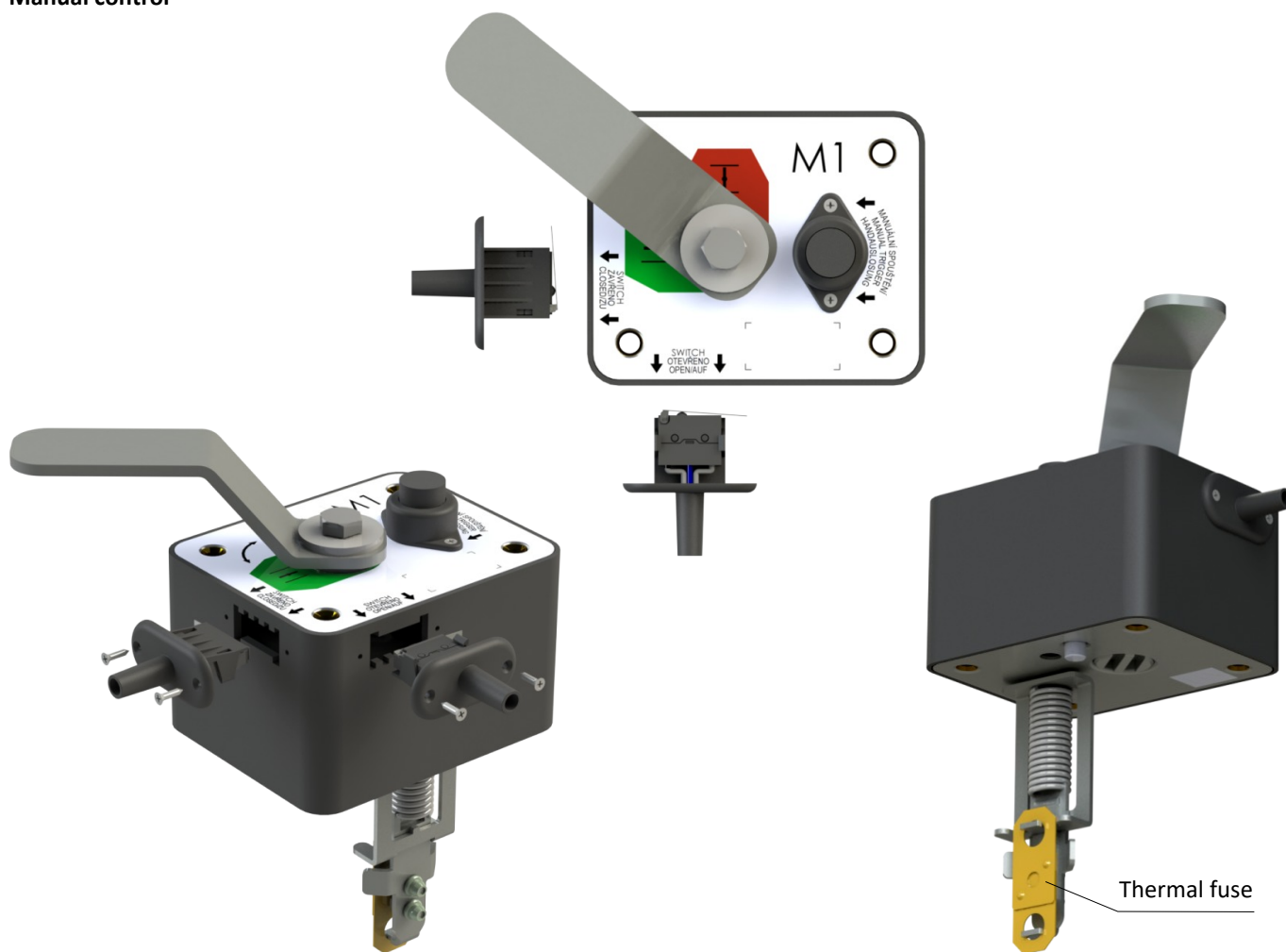
Design .80

- Design .01 with manual control can be complemented with two limit switches signaling of the damper blade position "CLOSED" and "OPEN".
- Cables are connected directly to limit switches.
- Limit switch detail → see page 5

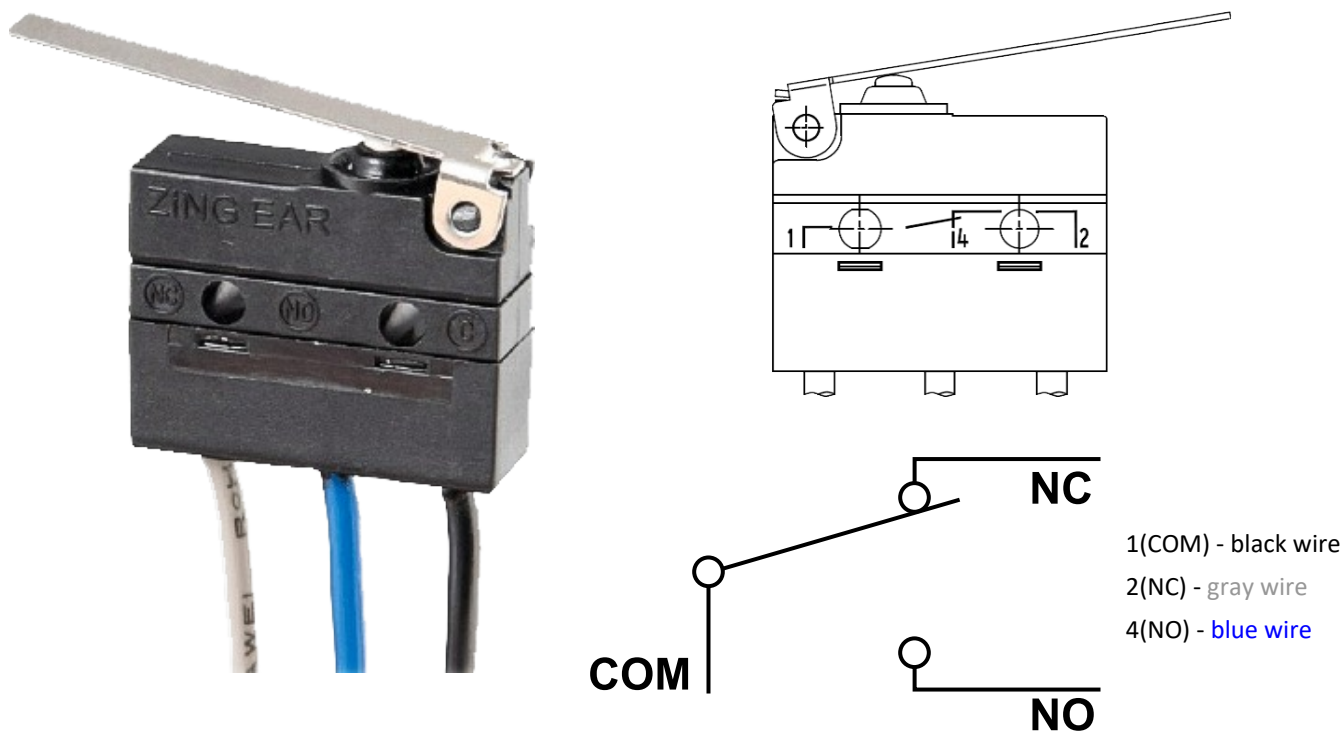


Design .80

Manual control



Limit switch G905-300E03W1



Nominal voltage and maximal current	AC 230V / 5A
Class of protection	IP 67
Working temperature	-25°C ... +120°C

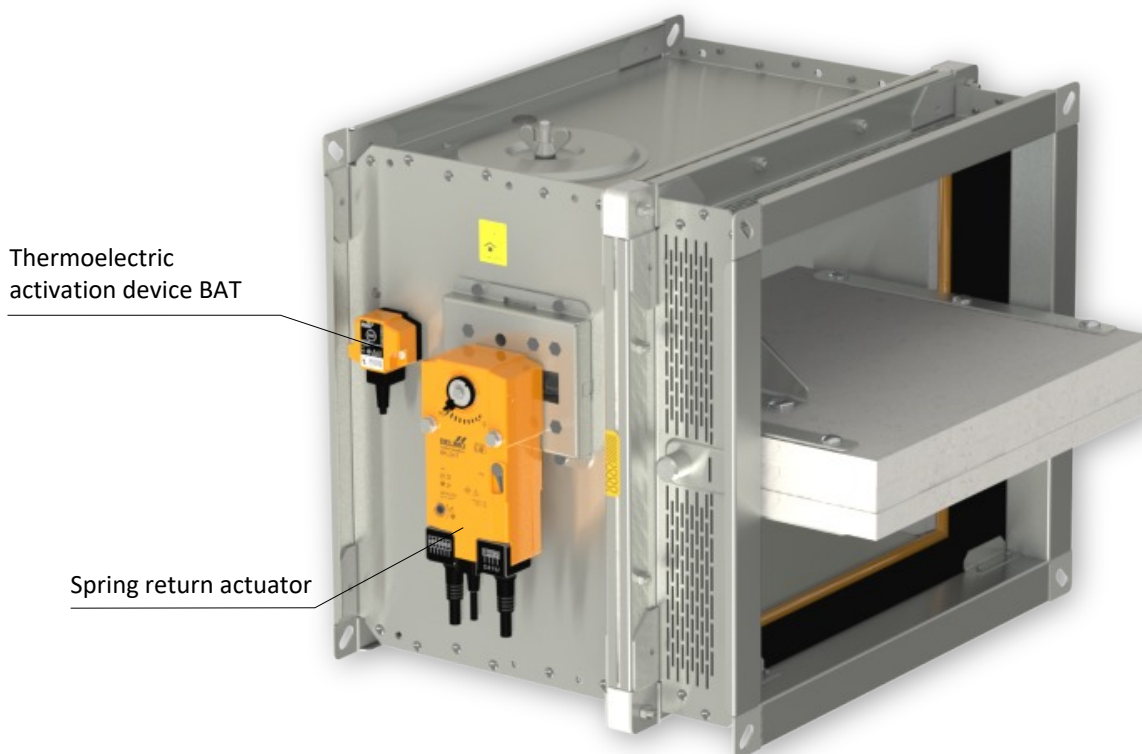
This limit switch is possible to connect in two following ways

- CUT-OFF if the arm is moving ... connect wire 1+2
- SWITCH-ON if the arm is moving ... connect wire 1+4

Design with spring return actuator

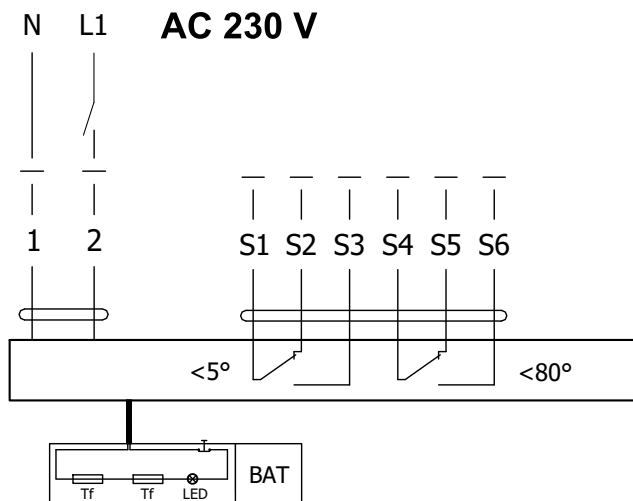
Design .40 and .50

- The fire dampers are equipped with Belimo spring return actuators with thermoelectric activation device BAT. The spring return actuator types are BFL, BFN or BF depending on the damper size. (Further mentioned as „actuator“).
- After being connected to power supply 230V or AC/DC 24V, the actuator rotates the damper blade to the operating position "OPEN" and at the same time pre-stretches its return spring.
- When the actuator is power supplied, the damper blade is in the position "OPEN" and the return spring is pre-stretched.
- Time needed for full opening of the damper blade from the position "CLOSED" to the position "OPEN" is maximum 120 sec. If the actuator power supply is interrupted (due to loss of supply voltage, or pressing a test button on the thermoelectric activation device BAT), the actuator rotates the damper blade to the breakdown position "CLOSED".
- The time of closing the damper blade from the position "OPEN" to the position "CLOSED" takes maximum 20 sec.
- In case that the power supply is restored again (the blade can be in any position), the actuator starts to rotate the damper blade back to the position "OPEN".
- A thermoelectric activation device BAT, which contains two thermal fuses Tf1 and Tf2, is an integral part of the actuator.
- These fuses are activated when temperature +72°C has been reached (the fuse Tf1 due to temperature outside the duct and the fuse Tf2 due to temperature inside the duct). The thermoelectric activation device can also be equipped with a Tf2 thermal fuse type ZBAT 95/120/140 (must be specified in the order). In this case, the activation temperature inside the duct is +95°C, +120°C or +140°C (depending on the type).
- After the thermal fuse Tf1 or Tf2 has been activated, the power supply is permanently and irreversibly interrupted and the actuator, by means of the pre-stretched spring, rotates the damper blade into the breakdown position "CLOSED".
- Signalisation of damper blade position "OPEN" and "CLOSE" is provided by two microswitches.

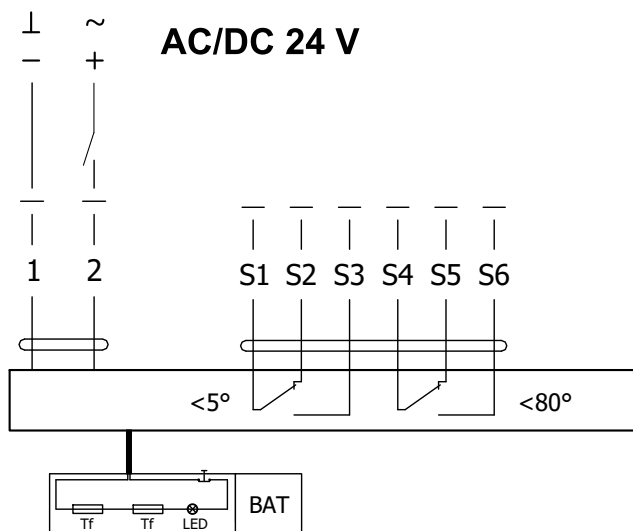


Design .40 and .50

Actuator BELIMO BFL 230-T



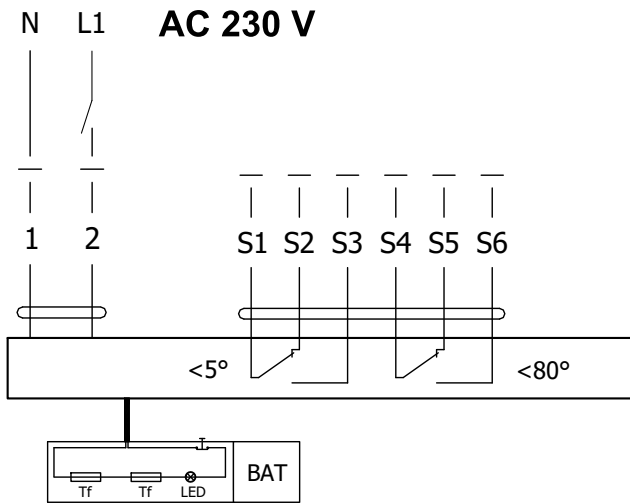
Actuator BELIMO BFL 24-T(-ST)



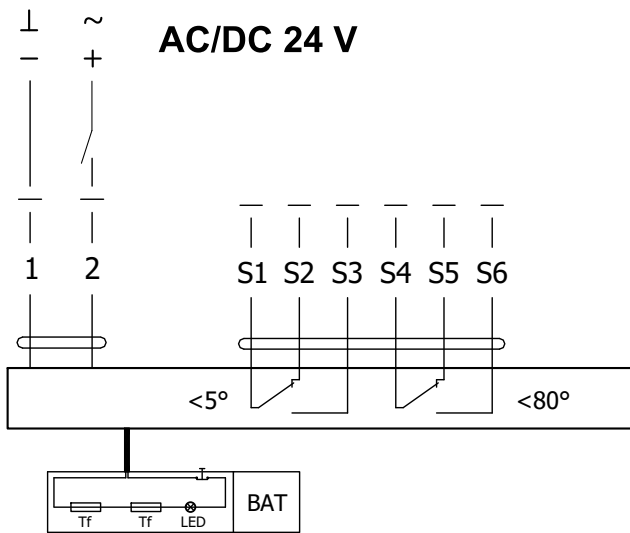
Actuator BELIMO BFL 230-T(-ST), BFL 24-T(-ST)

Actuator BELIMO - 4 Nm/ 3 Nm Spring	BFL 230-T(-ST)	BFL 24-T(-ST)
Power voltage	AC 230 V 50/60Hz	AC/DC 24 V 50/60Hz
Power consumption - in operation - in rest position	3,5 W 1,1 W	2,5 W 0,8 W
Dimensioning	6,5 VA (Imax 4 A @ 5 ms)	4 VA (Imax 8,3 A @ 5 ms)
Protection class	II	III
Degree of protection	IP 54	
Running time - motor - spring return	< 60 s ~ 20 s	
Ambient temperature - normal duty - safety duty - non-operating temperature	-30°C ... +55°C The safe position will be attained up to max. +75°C -40°C ... +55°C	
Connection - supply/control - auxiliary switch	cable 1 m, 2 x 0,75 mm ² (BFL 2xx-T-ST) with 3-pin plug-in connectors cable 1 m, 6 x 0,75 mm ² (BFL 2xx-T-ST) with 6-pin plug-in connectors	
Response temperature thermal fuse	duct outside temperature +72°C duct inside temperature +72°C	

Actuator BELIMO BFN 230-T



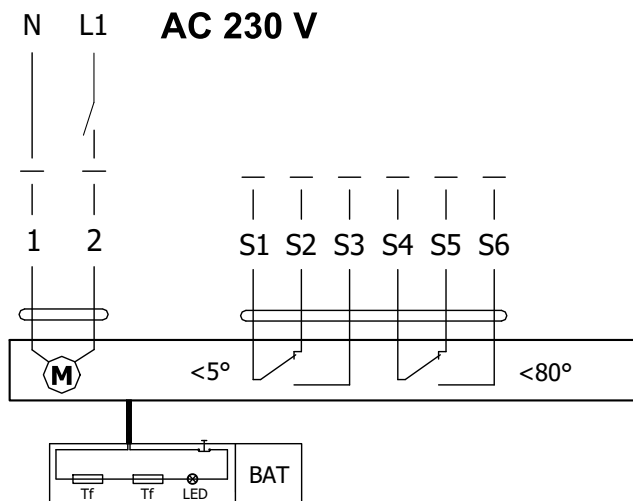
Actuator BELIMO BFN 24-T(-ST)



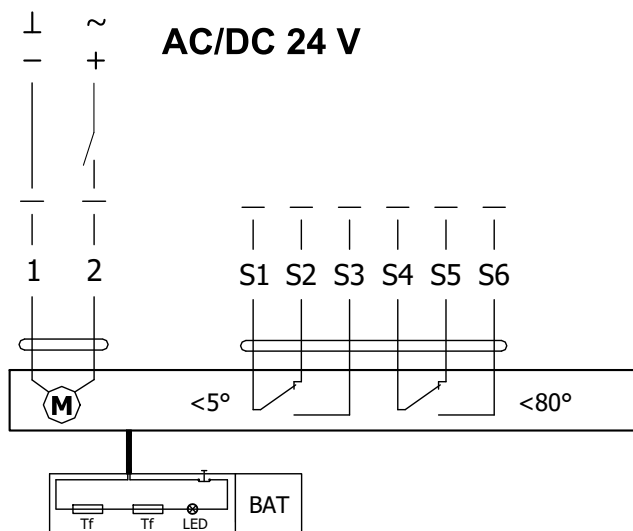
Actuator BELIMO BFN 230-T(-ST), BFN 24-T(-ST)

Actuator BELIMO - 9 Nm/ 7 Nm Spring	BFN 230-T(-ST)	BFN 24-T(-ST)
Power voltage	AC 230 V 50/60Hz	AC/DC 24 V 50/60Hz
Power consumption - in operation - in rest position	5 W 2,1 W	4 W 1,4 W
Dimensioning	10 VA (I _{max} 4 A @ 5 ms)	6 VA (I _{max} 8,3 A @ 5 ms)
Protection class	II	III
Degree of protection	IP 54	
Running time - motor - spring return	< 60 s ~ 20 s	
Ambient temperature - normal duty - safety duty - non-operating temperature	-30°C ... +55°C The safe position will be attained up to max. +75°C -40°C ... +55°C	
Connection - supply/control - auxiliary switch	cable 1 m, 2 x 0,75 mm ² (BFN 2xx-T-ST) with 3-pin plug-in connectors cable 1 m, 6 x 0,75 mm ² (BFN 2xx-T-ST) with 6-pin plug-in connectors	
Response temperature thermal fuse	duct outside temperature +72°C duct inside temperature +72°C	

Actuator BELIMO BF 230-TN



Actuator BELIMO BF 24-TN (-ST)



Actuator BELIMO BF 230-TN(-ST), BF 24-TN(-ST)

Actuator BELIMO - 18 Nm/ 12 Nm Spring	BF 230-TN(-ST)	BF 24-TN(-ST)
Power voltage	AC 230 V 50/60Hz	AC/DC 24 V 50/60Hz
Power consumption - in operation - in rest position	8,5 W 3 W	7 W 2 W
Dimensioning	11 VA (I _{max} 8,3 A @ 5 ms)	10 VA (I _{max} 8,3 A @ 5 ms)
Protection class	II	III
Degree of protection	IP 54	
Running time - motor - spring return	120 s ~ 16 s	
Ambient temperature - normal duty - safety duty - non-operating temperature	-30°C ... +50°C The safe position will be attained up to max. +75°C -40°C ... +50°C	
Connection - supply/control - auxiliary switch	cable 1 m, 2 x 0,75 mm ² (BF 2xx-TN-ST) with 3-pin plug-in connectors cable 1 m, 6 x 0,75 mm ² (BF 2xx-TN-ST) with 6-pin plug-in connectors	
Response temperature thermal fuse	duct outside temperature +72°C duct inside temperature +72°C	

Thermoelectric activation device BAT

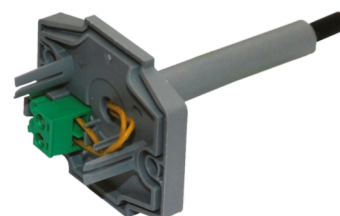
- If the thermal fuse Tf1 is interrupted (due to temperature outside the duct), it is necessary to replace the spring return actuator. Thermoelectric activation device BAT is integral part of the actuator.
- If the thermal fuse Tf2 is interrupted (due to temperature inside the duct), only the spare part ZBAT 72 (95/120/140) needs to be replaced (acc.to the activation temperature).
- When one of the thermal fuses responds, the supply voltage is interrupted permanently and irreversibly.
- The function (interruption of the supply voltage) can be checked by pressing the test button.
- Installation is carried out with the pre-assembled, self-tapping screws.



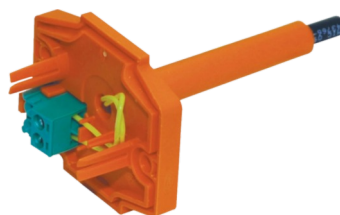
BELIMO ZBAT 72
Black (BK) = 72°C (standard)



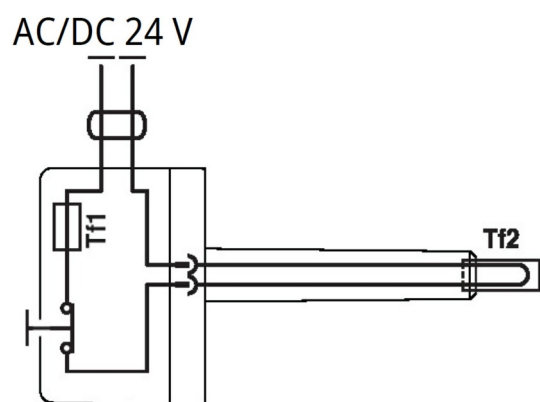
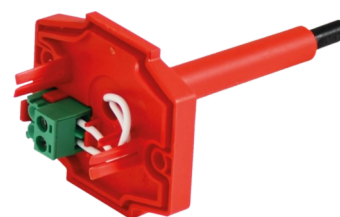
BELIMO ZBAT 95
Grey (GY) = 95°C



BELIMO ZBAT 120
Orange (OG) = 120°C



BELIMO ZBAT 140
Red (RD) = 140°C



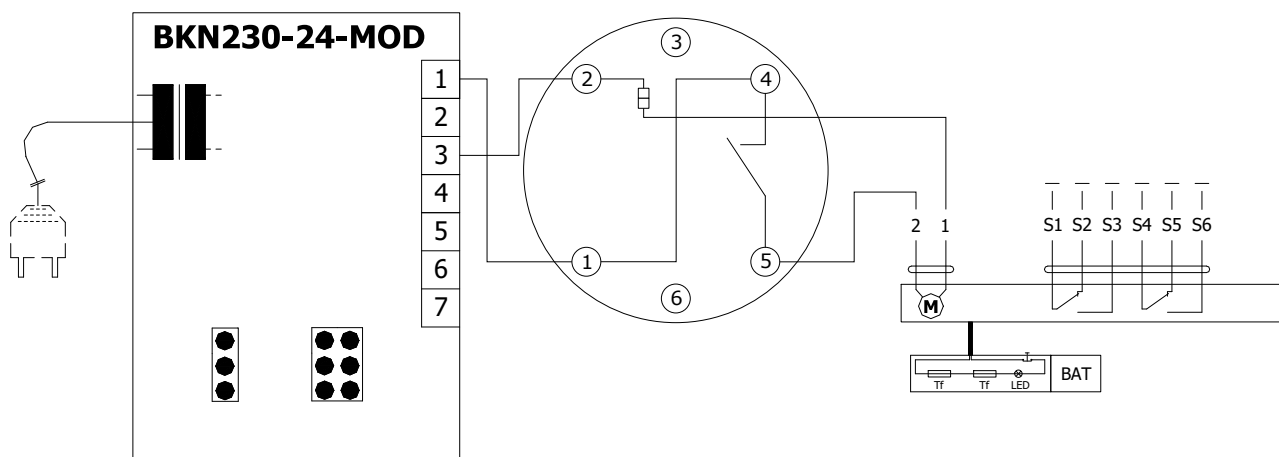
Thermoelectric activation device BAT 72 (95/120/140)

Power voltage	AC/DC 24 V 50/60Hz
Rated current	1 A
AC/DC throughput resistance	<1 Ω
Protection class	III
Degree of protection	IP 54
Probe length	65 mm
Ambient temperature	-30°C ... +50°C
Storage temperature	-40°C ... +50°C
Ambient humidity	Max. 95% RH, non-condensing
Connection supply	Cable 1 m, 2 x 0.5 mm ² , Betaflam cable heatresistant up to 145°C
Response temperature thermal fuse	Duct inside temperature +72 (95/120/140)°C Duct outside temperature +72 (95/120/140)°C

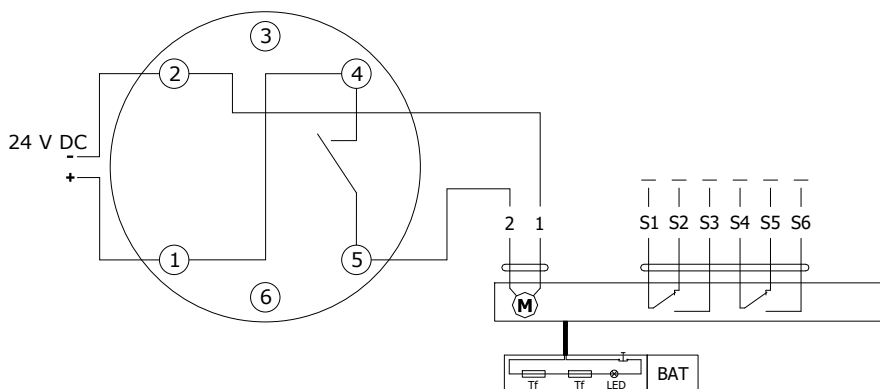
Design .41 and .51

- Design .41 or .51 with actuator and smoke detector ORS 142 K. The voltage can be AC 230 V or 24 V DC. Design .41 with voltage AC 230 V is equipped with communication and supply device BKN 230-24-MOD and with actuator BF 24-TN (BFL 24-T, BFN 24-T).
- The smoke detector is activated when smoke spreads in air duct system. Deactivation of the smoke detector alarm status is provided by interruption of supply voltage for min. 2s.
- Signalisation of damper blade position "OPEN" and "CLOSE" is provided by two microswitches.

Design .41 with actuator BF 24-TN (BFL, BFN 24-T), with smoke detector ORS 142 K and with supply device BKN 230-24-MOD (voltage AC 230 V)



Design .51 with actuator BF 24-TN (BFL, BFN 24-T), with smoke detector ORS 142 K (voltage 24 V DC)



Communication and supply device BKN 230-24-MOD

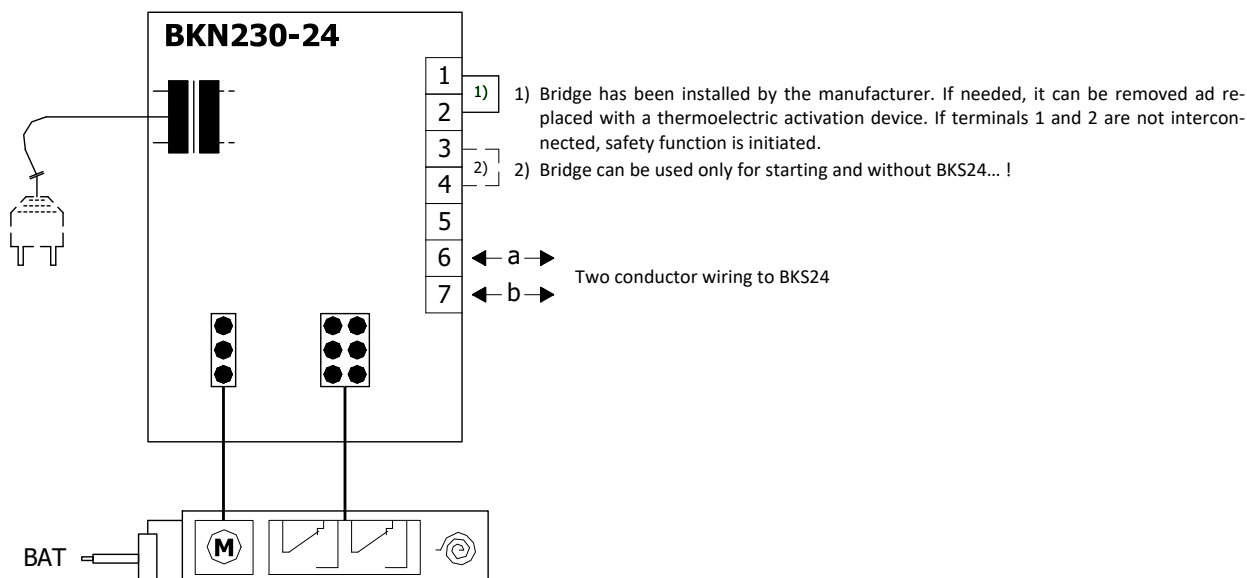
Nominal voltage	AC 230 V 50/60Hz
Power consumption	3 W (operating position)
Dimensioning	14 VA (including actuator)
Protection Class	II
Degree of protection	IP 40
Ambient temperature	-20°C ... +50°C
Non-operating temperature	-40°C ... +80°C
Connection - net	cable 0,9 m with EURO plug type 26
- motor	6-pole connector, 3-pole connector
- terminal board	screw terminals for cable 2x1,5 mm ²

Design with the communication and supply device

Design .60

- Design with the communication and supply device BKN 230-24 and actuator BF 24-TN-ST (BFL 24-T-ST, BFN 24-T-ST). It simplifies electrical wiring and interconnection of fire dampers. It facilitates on site check and enables central control and checks of fire dampers by means of a simple 2-conductor wiring.
- BKN 230-24 functions as a decentralized network device for supplying the actuator BF 24-TN-ST (BFL 24-T-ST, BFN 24-T-ST) further it transmits the signal informing about the damper blade position OPERATION and FAILURE through 2-conductor wiring to the central.
- Control command SWITCHED ON - SWITCHED OFF from the central through BKN 230-24 goes through the same wiring to the actuator.
- To simplify the connection, the actuator BF 24-TN-ST (BFL 24-T-ST, BFN 24-T-ST) is equipped with connecting plugs that are inserted directly to BKN 230-24. BKN 230-24 is supplied with a conductor and an EURO plug to be connected to the 230V mains. 2-conductor wiring is connected to BKN 230-24 by means of terminals 6 and 7. If the actuator is supposed to be controlled without any signal from the central, it can be switched on by means of a bridge between the terminals 3 and 4.
- A green LED on BKN 230-24 is on when voltage is present in the drive (AC 24V).
- If the test button on BAT is pressed or if the power supply (e.g. by a signal from ELECTRICAL FIRE SIGNALISATION) is disconnected, the damper blade position will be "FAILURE".

Communication and supply device BKN 230-24, with actuator BF 24-TN-ST (BFL 24-T-ST, BFN 24-T-ST)



Communication and supply device BKN 230-24

Nominal voltage	AC 230 V 50/60Hz
Power consumption	3,5 W (operating position)
Dimensioning	11 VA (including actuator)
Protection Class	II
Degree of protection	IP 40
Ambient temperature	-20°C ... +50°C
Non-operating temperature	-40°C ... +80°C
Connection - net	cable 0,9 m with EURO plug type 26
- motor	6-pole connector, 3-pole connector
- terminal board	screw terminals for cable 2x1,5 mm ²

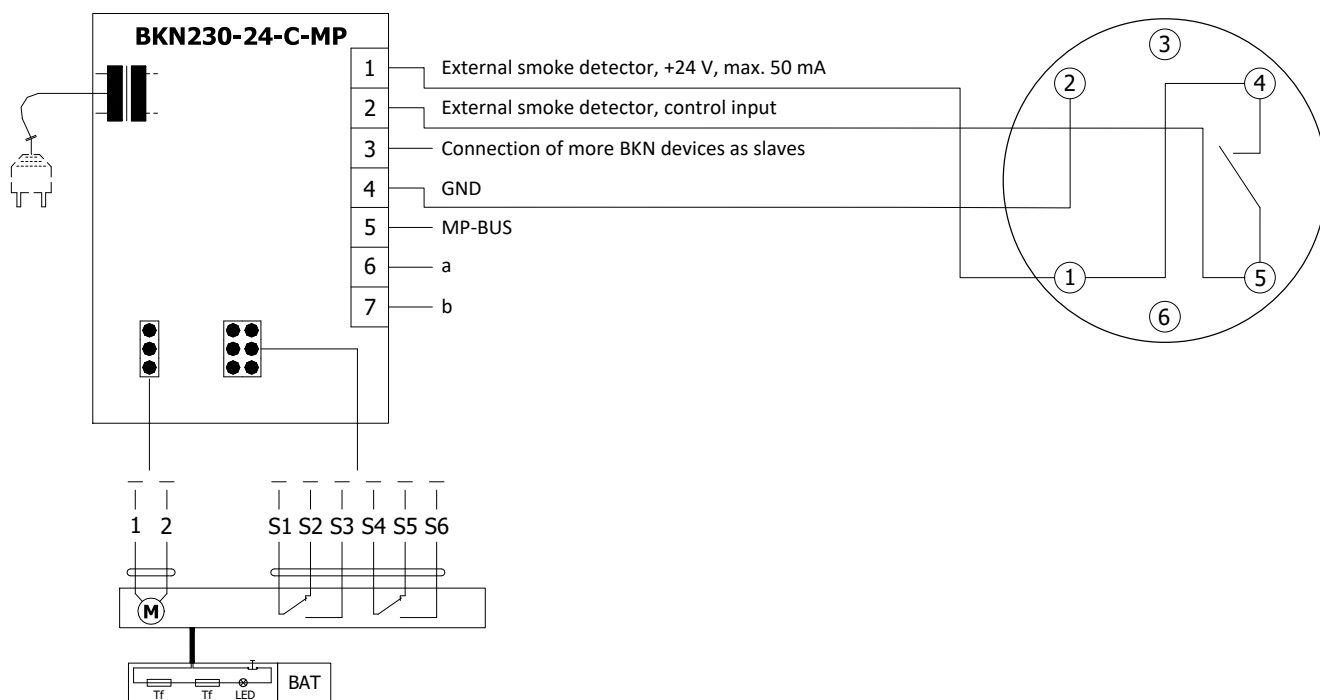
Design .61, 61S

- Design with the communication and supply device BKN 230-24-C-MP, and actuator BF 24-TN-ST (BFL 24-T-ST, BFN 24-T-ST). It simplifies electrical wiring and interconnection of fire dampers. Enables central control and checks of fire dampers by means of a simple 2-conductor wiring and it also allows connection to the system via MP-BUS communication. Design 61. can be extended with an optical smoke detector ORS 142 K (design .61S).
- BKN 230-24-C-MP functions as a decentralized network device for supplying the actuator BF 24-TN-ST (BFL 24-T-ST, BFN 24-T-ST) further it transmits the signal informing about the damper blade position OPERATION and FAILURE through 2-conductor wiring to the central.
- Control command SWITCHED ON - SWITCHED OFF from the central through BKN 230-24-C-MP goes through the same wiring to the actuator.
- To simplify the connection, the actuator BF 24-TN-ST (BFL 24-T-ST, BFN 24-T-ST) is equipped with connecting plugs that

are inserted directly to BKN 230-24-C-MP. BKN 230-24-C-MP is supplied with a conductor and an EURO plug to be connected to the 230V mains. 2- conductor wiring is connected to BKN 230-24-C-MP by means of terminals 6 and 7. If the actuator is supposed to be controlled without any signal from the central, it can be switched on by means of a bridge between the terminals 3 and 4.

- A green LED on BKN 230-24-C-MP is on when voltage is present in the drive (AC 24V).
- If the test button on BAT is pressed or if the power supply (e.g. by a signal from ELECTRICAL FIRE SIGNALISATION) is disconnected, the damper blade position will be "FAILURE".
- For design .61S the smoke detector is activated when smoke spreads in air duct system. Deactivation of the smoke detector alarm status is provided by interruption of supply voltage for min. 2s.

Design with communication and supply device BKN 230-24-C-MP, with actuator BF 24-TN-ST (BFL 24-T-ST, BFN 24-T-ST) and smoke detector ORS 142 K



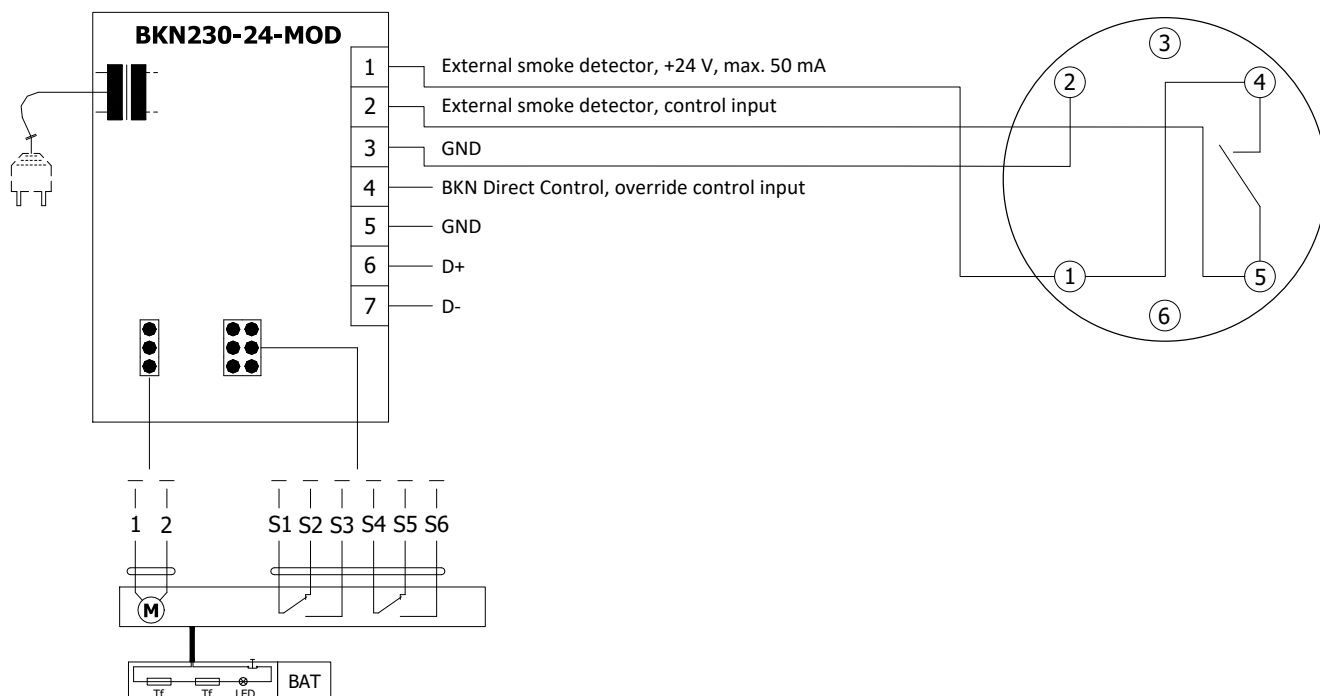
Communication and supply device BKN 230-24-C-MP

Nominal voltage	AC 230 V 50/60Hz
Power consumption	3,5 W (operating position)
Dimensioning	10 VA (including actuator)
Protection Class	II
Degree of protection	IP 40
Ambient temperature	-20°C ... +50°C
Non-operating temperature	-40°C ... +80°C
Connection	- net - motor - terminal board
	cable 0,9 m with EURO plug type 26 6-pole connector, 3-pole connector screw terminals for cable 2x1,5 mm ²

Design .63, 63S

- Design with the communication and supply device BKN 230-24-MOD and actuator BF 24-TN-ST (BFL 24-T-ST, BFN 24-T-ST) for communication with control systems using the Modbus RTU or BACnet MS / TP. Design 63. can be extended with an optical smoke detector ORS 142 K (design .63S).
- The wiring of the line is to be carried out in accordance with applicable RS485 regulations.
- Parameterization of the communication is done using DIL switches.
- BKN 230-24-MOD can be installed separately, without a connection to a master control system, in which case the connection bridge between the terminals 1 and 4 must be installed.
- If the test button on BAT is pressed or if the power supply (e.g. by a signal from ELECTRICAL FIRE SIGNALISATION) is disconnected, the damper blade position will be "FAILURE".
- For design .63S the smoke detector is activated when smoke spreads in air duct system. Deactivation of the smoke detector alarm status is provided by interruption of supply voltage for min. 2s.

Design with communication and supply device BKN 230-24-MOD, with actuator BF 24-TN-ST (BFL 24-T-ST, BFN 24-T-ST) and smoke detector ORS 142 K



Communication and supply device BKN 230-24-MOD

Nominal voltage	AC 230 V 50/60Hz
Power consumption	3 W (operating position)
Dimensioning	14 VA (including actuator)
Protection Class	II
Degree of protection	IP 40
Ambient temperature	-20°C ... +50°C
Non-operating temperature	-40°C ... +80°C
Connection - net	cable 0,9 m with EURO plug type 26
- motor	6-pole connector, 3-pole connector
- terminal board	screw terminals for cable 2x1,5 mm ²

Optical smoke detector ORS 142 K with the socket 143A

- The smoke detector ORS 142 K is used for early smoke detection in rooms or inside the ventilation system.
- The sensor operates on the light scatter principle. Inside the scanning chamber is a light source and a light sensor, in the normal state the light from the source does not fall on the sensor. Only when smoke enters the scanning chamber the light is scattered and falls on the sensor.
- The smoke detector can be connected directly to the actuator (design .41 and .51) which, in case of smoke detection, passes to the safety position, or to the BKN communication and supply device (design .61, .63).
- By early detection of smoke, it can be effectively prevented from spreading of smoke through the ventilation system. In addition to smoke detection, the sensor can distinguish and signal slight and heavy contamination, e.g. the presence of large amounts of dust.
- The ORS 142 K smoke detector has an alarm memory, i.e. if the alarm is triggered, the safety relay opens and stays in this state even if the smoke disappears from the scanning chamber. The sensor remains in the alarm state until the power supply is briefly reset.
- On the pin 3, an external device can be connected via RS-Bus communication to report the status of the sensor.
- Pin 6 has no connection to the detector and is designed as a load-bearing structure in the base.

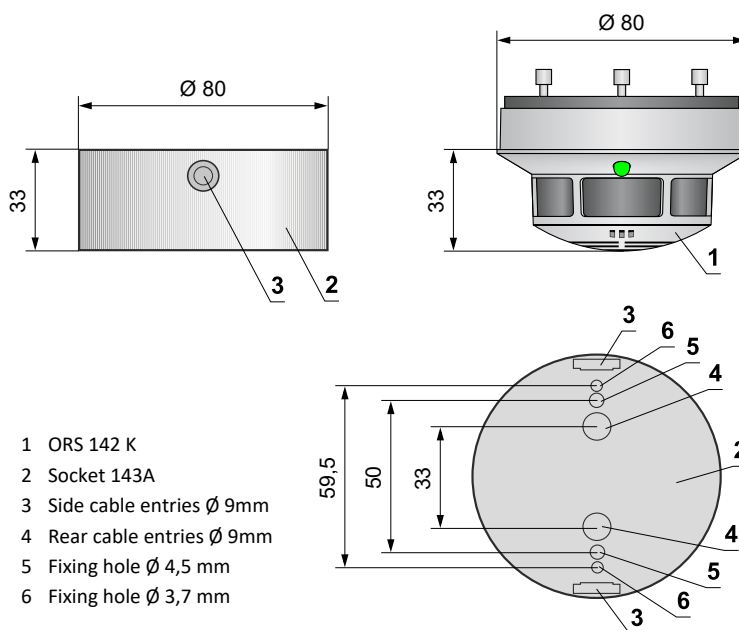
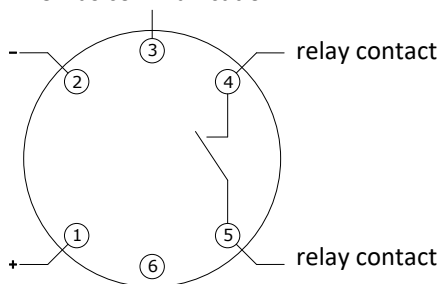
ORS 142 K



Socket 143A



RS-Bus communication



Relay contact		LED	
In operation		Green	Shines
Slight contamination		Green / Yellow	Flashes
Heavy contamination		Green / Yellow	Flashes
Fault		Yellow	Shines
Alarm		Red	Shines
Power Off		Off	-

- 1 ORS 142 K
- 2 Socket 143A
- 3 Side cable entries Ø 9mm
- 4 Rear cable entries Ø 9mm
- 5 Fixing hole Ø 4,5 mm
- 6 Fixing hole Ø 3,7 mm

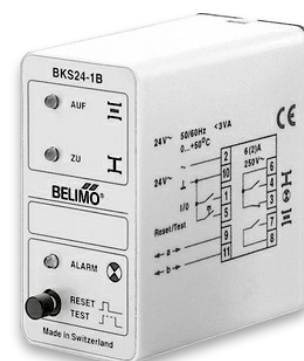
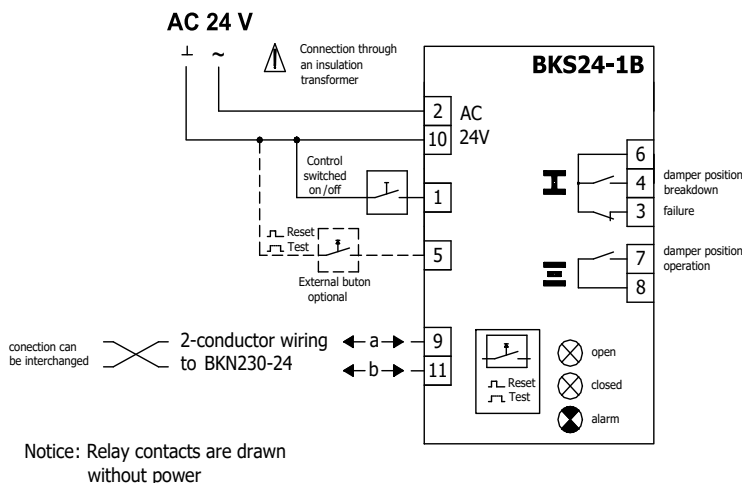
Optical smoke detector ORS 142 K with the socket 143A

Operating voltage	18 ... 28 V DC
Residual ripple	≤ 200 mV
Power Consumption Socket (without actuator)	max. 22 mA
Degree of protection	IP 42
Ambient temperature	-20°C ... +75°C
Additional temperature sensor	+70°C
Connection - net	Cabel 1m, connected to terminals 1, 2 and 4
- motor	Actuator connected on the terminals 2 and 5
- communication and supply device BKN	Cabel 1m, connected to terminals 1, 2, 4 and 5

Communication and control device BKS 24-1B and BKS 24-9A

Communication and control device BKS 24-1B

- BKS 24-1B communication and control device is used for control and checks of fire dampers with the BF 24-TN-ST (BFL 24-T-ST, BFN 24-T-ST) actuator in conjunction with the BKN 230-24 supply and communication device.
- BKS 24-1B receives information about the situation of the fire damper through BKN 230-24 supply and communication device and issues controlling commands.
- The device is intended for building in into the distribution board.
- Light diodes on the front side of the device signalise the operating situations of the damper and breakdowns of the whole system.
- Potentialless auxiliary contacts enable connection to the master control system (signaling of the damper position, failure reports, release of the ventilators etc.).
- While a flashing green LED pilot light signalises damper blade motion towards the given position, the same pilot light reports reaching the required position when shining constantly.
- If the damper blade, with respect to the given time, does not reach the required position, then a red LED pilot light starts to flash and at the same time, the failure contact is active.
- Once the damper blade reaches the given position, this contact is deactivated.
- The LED pilot light keeps flashing unless the failure is unblocked by means of the RESET button.
- Except for reporting failures, other three auxiliary contacts are available. Contacts showing operating and failure position of the damper are active when the damper is in the given position. Function check can be done by pressing and holding the button "RESET/TEST" for longer time. While holding the button, the damper blade rotates in the direction of the failure position. Fault function is indicated by the LED pilot light.
- BKS 24-1B can be connected by means of ZSO-11 11 pole connector for DIN 35 mm panel.



Signals and diagnosis				Description	
light diodes		alarm	contacts	state	
⊗ open	⊗ closed	⊗ closed	⊗ closed	[6] - [3]	Power supply AC 24V not available
⊗ closed	⊗ closed	⊗ closed	⊗ closed	[6] - [3]	Check test cca 35sec , starting with switching AC 24 on or pressing «Reset/Test» button
⊗ open	⊗ open	⊗ open	⊗ open	[6] - [3]	Current failure , possible cause: • short circuit or interruption of 2-conductor wiring or damper failure (at BKN..) • Power supply AC 230V missing • defective thermoelectrical starting • smoke detector activated • exceeded operation time • damper blocked
⊗ closed	⊗ closed	⊗ flashing	⊗ flashing	[6] - [3]	Failure saved in memory • Fault in system signalled, system check should be done
⊗ closed	⊗ closed	⊗ open	⊗ open	[6] - [3]	Failure saved in memory • Fault in system signalled, system check should be done
⊗ closed	⊗ flashing	⊗ closed	⊗ closed	[6] - [4]	Damper (drive) turning into the direction of breakdown position
⊗ closed	⊗ open	⊗ closed	⊗ closed	[6] - [4]	Damper (drive) in breakdown position I
⊗ flashing	⊗ closed	⊗ closed	⊗ closed	[6] - [7]	Damper (drive) turning into the direction of operating position
⊗ open	⊗ closed	⊗ closed	⊗ closed	[6] - [7]	Damper (drive) in operating position II

Communication and control device BKS 24-1B

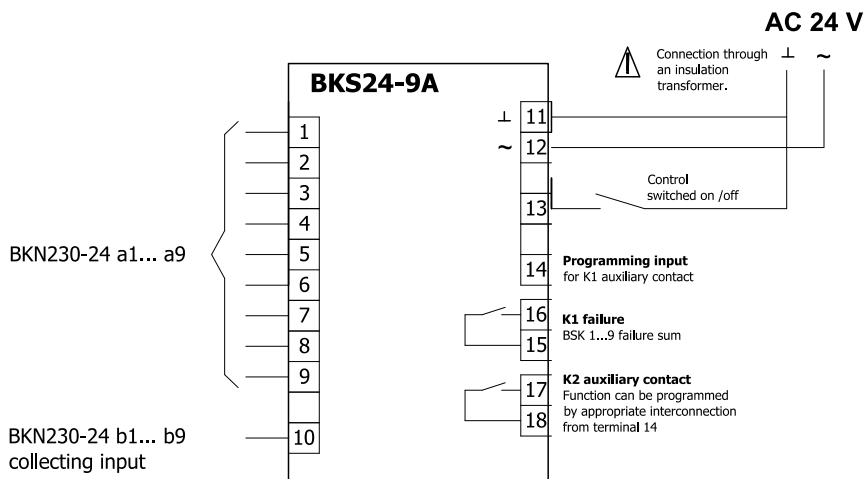
Nominal voltage	AC 24 V 50/60Hz
Power consumption	2,5 W (operating position)
Dimensioning	5 VA
Protection Class	III
Degree of protection	IP 30
Ambient temperature	0°C ... +50°C
Connection	11-pole connector ZSO-11, it is not part of BKS24-1B, ZSO-11 is 11-pole screw terminal 11 x 1,5 mm ²

Communication and control device BKS 24-9A

- BKS 24-9A communication and control device is used for group control and checks of 1 to 9 fire dampers with the actuator BF 24-TN-ST (BFL 24-T-ST, BFN 24-T-ST) in connection with the supply and communication device BKN 230-24.
- Signalisation of the damper position is individual; the damper can be controlled and tested only as a group.
- BKS 24-9A is intended for use in the distribution board and displays the operation situations and failure reports of the connected fire dampers.
- It is possible to signalise functions such as the damper position and failure reports or to transmit them further to the system by means of integrated auxiliary switches.
- BKS 24-9A receives signals from BKN 230-24 through the two-conductor wiring and issues control commands.
- Proper damper operation is indicated by two light LED diodes:
 - Control ON = position OPERATION
 - Control OFF = position FAILURE
- If the fire damper do not reach the given position in time tolerable for displacing, the appropriate light diode FAILURE starts to flash and **K1** contact is opened (current failure).
- In case that the faulty damper finally reaches its given position, **K1** is closed and the failure report light shines (the failure is saved in memory).
- **K2** - the auxiliary contact - is used for signaling of the damper blade position to the master device.
- Function of this auxiliary contact can be programmed through the terminal 14.

Function contact K1		Programming K2 Auxiliary Contact		
situation	state	function	interconnection	state
current failure	15 ——— 16	K2 contact is on if all dampers are open	14 ——— 11	
no failure	15 ——— 16	K2 contact is on if damper No. 1 is open	14 ——— 12	17 ——— 18
		K2 contact is on if all dampers are closed	14 open	

- Function check can be done in the position OPERATION by means of pressing the TEST button.
- While the test button is pressed, damper blade is rotating into the position FAILURE.
- Fault function is indicated by a report "FAILURE".
- Assembly and connection BKS 24-9A can be made by DIN 35 mm panel. It is connected by two 9-pole plug-in connectors.



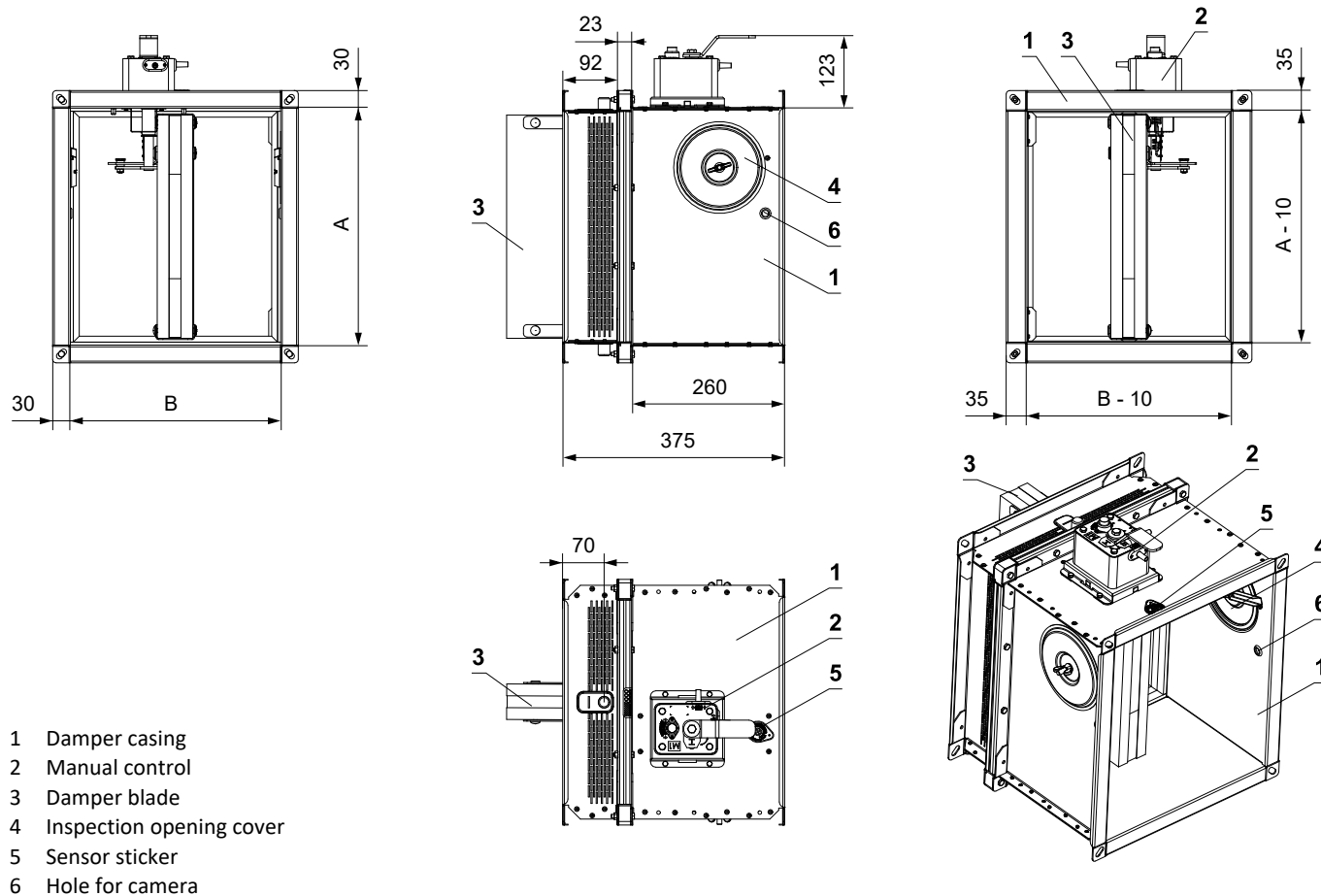
Notice: Relay contacts K1 and K2 are drawn without power

Communication and control device BKS 24-9A

Nominal voltage	AC 24 V 50/60Hz
Power consumption	3,5 W
Dimensioning	5,5 VA
Protection Class	III
Degree of protection	IP 30
Ambient temperature	0°C ... +50°C
Connection	terminal 2 x 1,5 mm ²

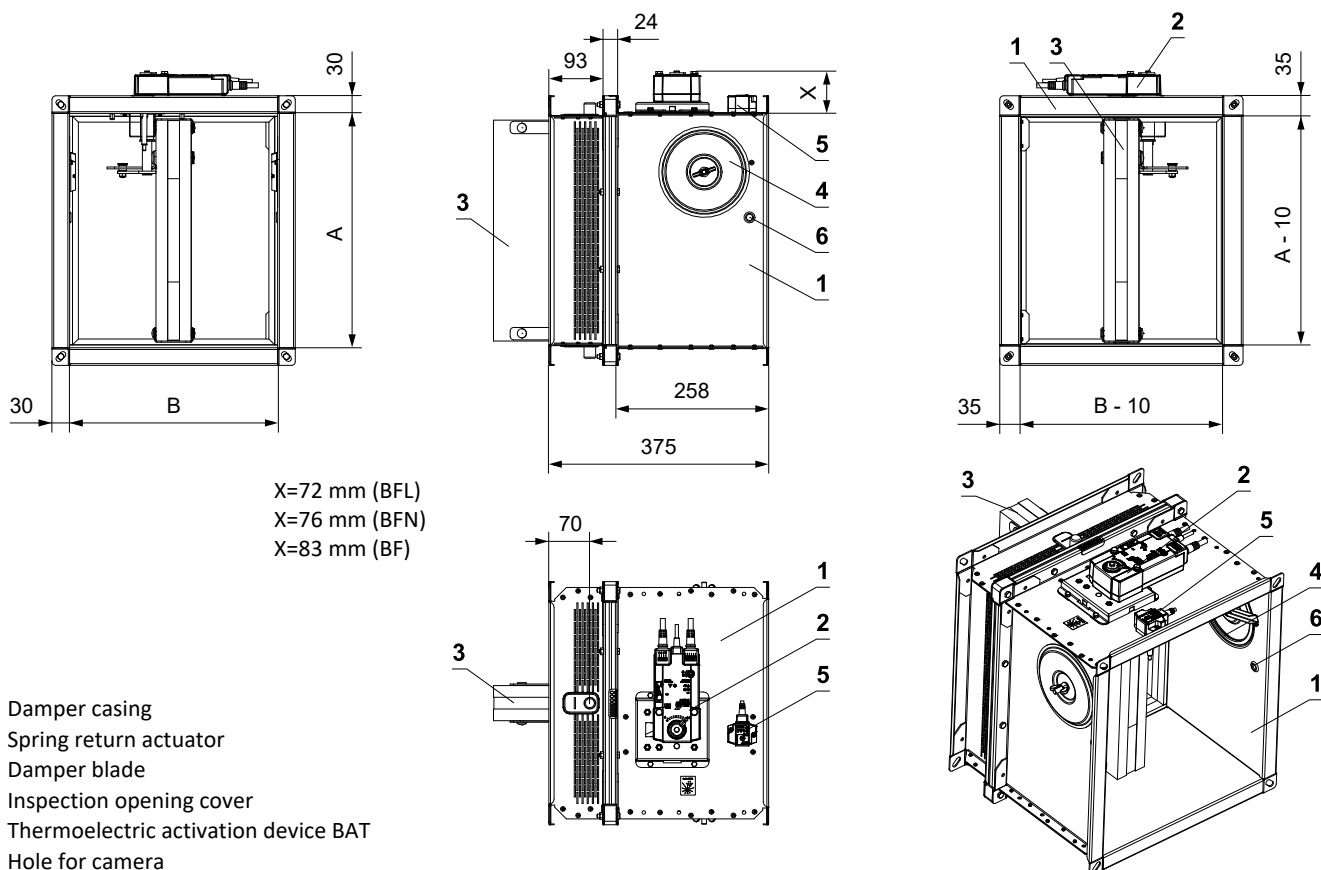
III. DIMENSIONS

FDMQ 180 with manual control



- 1 Damper casing
- 2 Manual control
- 3 Damper blade
- 4 Inspection opening cover
- 5 Sensor sticker
- 6 Hole for camera

FDMQ 180 with spring return actuator

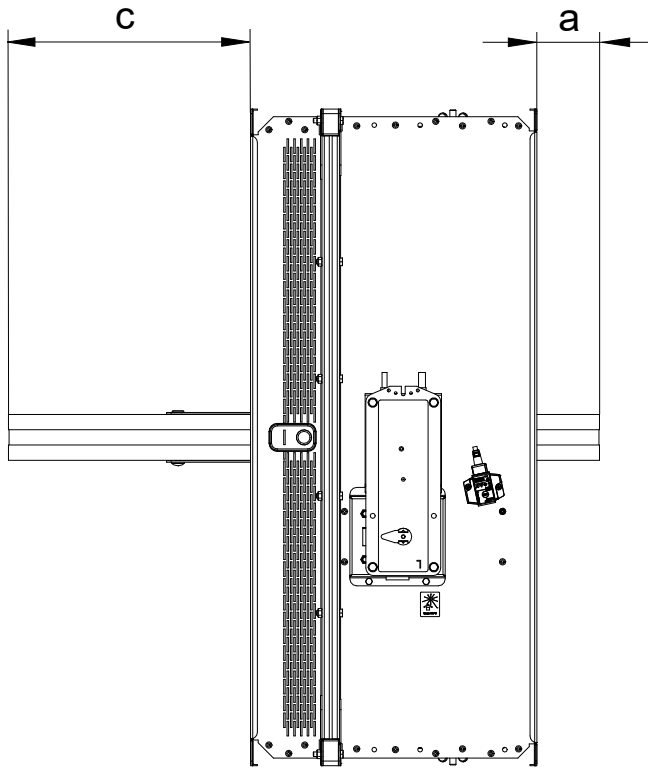


X=72 mm (BFL)
 X=76 mm (BFN)
 X=83 mm (BF)

- 1 Damper casing
- 2 Spring return actuator
- 3 Damper blade
- 4 Inspection opening cover
- 5 Thermoelectric activation device BAT
- 6 Hole for camera

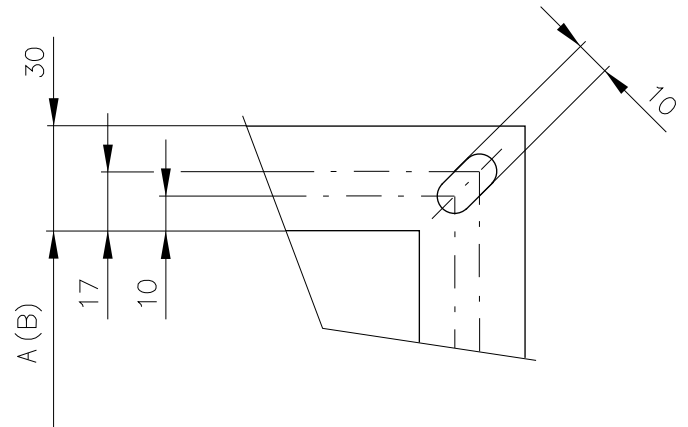
Damper blade overlaps

- Open damper blade overlaps the damper casing by the value "a" or "c". These values are specified in chapter Technical parameters → see pages 20 to 24

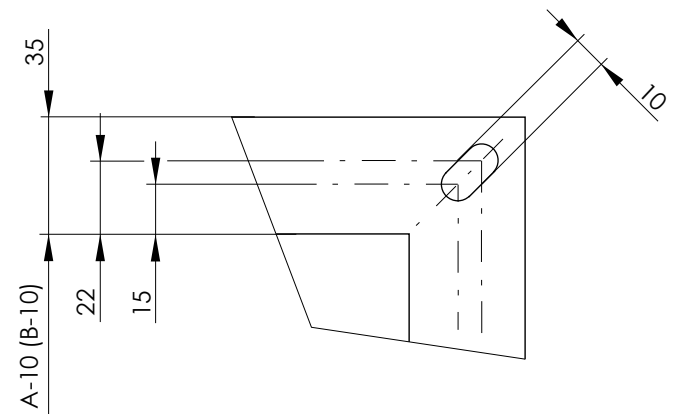


Values "a" and "c" must be respected when projecting following air-conditioning duct.

Flange of a damper - CONTROL SIDE



Flange of a damper - INSTALLATION SIDE



Flanges of dampers are 30 mm wide with oval hole.

Technical parameters

A x B [mm]	Damper blades overlaps		Weight		Effective area Sef [m²]	Spring return actuator	Manual control	A x B [mm]	Damper blades overlaps		Weight		Effective area Sef [m²]	Spring return actuator	Manual control		
	a [mm]	c [mm]	Man. [kg]	Actu. [kg]*					a [mm]	c [mm]	Man. [kg]	Actu. [kg]*					
200 x	-	17	10,8	10,9	0,0201	M1	BFL	250 x	700	32	267	24,9	25,3	0,1384	M2		
	-	29	11,5	11,6	0,0245				710	37	272	25,1	25,5	0,1406			
	-	42	12,0	12,1	0,0289				750	57	292	26,1	26,5	0,1496			
	-	57	12,7	12,8	0,0341				800	82	317	27,4	27,8	0,1609			
	-	67	13,3	13,4	0,0376				200	-	17	12,6	12,7	0,0293		M3	
	-	74	13,7	13,8	0,0403				225	-	29	13,4	13,5	0,0357			
	-	94	14,8	14,9	0,0473				250	-	42	14,1	14,2	0,0421			
	-	117	15,8	15,9	0,0551				280	-	57	14,9	15,0	0,0497			
	-	142	17,0	17,1	0,0639				300	-	67	15,6	15,7	0,0548			
	-	167	18,1	18,2	0,0726				315	-	74	16,0	16,1	0,0587			
	-	192	18,9	19,0	0,0814				355	-	94	17,3	17,4	0,0689			
	-	197	19,1	19,2	0,0831				400	-	117	18,6	18,7	0,0803			
	-	217	20,0	20,1	0,0901				450	-	142	19,9	20,0	0,0931			
	-	232	20,7	20,8	0,0954				280 x	500	-	167	21,2	21,3			0,1058
	7	242	21,1	21,2	0,0989				550	-	192	22,3	22,4	0,1186			
	32	267	22,3	22,7	0,1076				560	-	197	22,6	23,0	0,1211			
37	272	22,5	22,9	0,1094	600	-	217	23,7	24,1	0,1313							
57	292	23,4	23,8	0,1164	630	-	232	24,5	24,9	0,1390							
82	317	24,5	24,9	0,1251	650	7	242	25,0	25,4	0,1441							
225 x	-	17	11,3	11,4	0,0230	M1	BFL	280 x	700	32	267	26,4	26,8	0,1568	M2		
	-	29	12,1	12,2	0,0280				710	37	272	26,7	27,1	0,1594			
	-	42	12,7	12,8	0,0330				750	57	292	27,7	28,1	0,1696			
	-	57	13,4	13,5	0,0390				800	82	317	29,1	29,5	0,1823			
	-	67	14,1	14,2	0,0430				200	-	17	12,9	13,0	0,0316			
	-	74	14,4	14,5	0,0460				225	-	29	13,7	13,8	0,0385			
	-	94	15,6	15,7	0,0540				250	-	42	14,4	14,5	0,0454			
	-	117	16,7	16,8	0,0630				280	-	57	15,3	15,4	0,0536			
	-	142	17,9	18,0	0,0730				300	-	67	16,3	16,4	0,0591			
	-	167	19,1	19,2	0,0830				315	-	74	16,7	16,8	0,0633			
	-	192	20,0	20,1	0,0930				355	-	94	18,0	18,1	0,0743			
	-	197	20,2	20,3	0,0950				400	-	117	19,2	19,3	0,0866			
	-	217	21,2	21,6	0,1030				450	-	142	20,6	20,7	0,1004			
	-	232	21,9	22,3	0,1090				300 x	500	-	167	22,0	22,1		0,1141	
	7	242	22,4	22,8	0,1130				550	-	192	22,8	23,2	0,1279			
	32	267	23,6	24,0	0,1230				560	-	197	23,1	23,5	0,1306			
37	272	23,8	24,2	0,1250	600	-	217	24,2	24,6	0,1416							
57	292	24,8	25,2	0,1330	630	-	232	25,0	25,4	0,1499							
82	317	26,0	26,4	0,1430	650	7	242	25,5	25,9	0,1554							
250 x	-	17	11,9	12,0	0,0259	M1	BFL	300 x	700	32	267	26,8	27,2	0,1691	M2		
	-	29	12,7	12,8	0,0315				710	37	272	27,1	27,5	0,1719			
	-	42	13,3	13,4	0,0371				750	57	292	28,2	28,6	0,1829			
	-	57	14,1	14,2	0,0439				800	82	317	29,5	29,9	0,1966			
	-	67	14,8	14,9	0,0484				200	-	17	13,2	13,3	0,0334			
	-	74	15,1	15,2	0,0518				225	-	29	14,1	14,2	0,0406			
	-	94	16,4	16,5	0,0608				250	-	42	14,8	14,9	0,0479			
	-	117	17,5	17,6	0,0709				280	-	57	15,7	15,8	0,0566			
	-	142	18,8	18,9	0,0821				300	-	67	16,7	16,8	0,0624			
	-	167	20,1	20,2	0,0934				315 x	315	-	74	17,1	17,2		0,0667	
	-	192	21,0	21,1	0,1046				355	-	94	18,5	18,6	0,0783			
	-	197	21,3	21,4	0,1069				400	-	117	19,7	19,8	0,0914			
	-	217	22,3	22,7	0,1159				450	-	142	21,1	21,2	0,1059			
	-	232	23,1	23,5	0,1226				500	-	167	22,5	22,6	0,1204			
	7	242	23,6	24,0	0,1271				550	-	192	23,4	23,8	0,1349			

Sizes in increments of 5 mm can be manufactured on request.

* For designs with BKN a weight of 0.5 kg must be added.

A x B [mm]	Damper blades overlaps		Weight		Effective area Sef [m ²]	Spring return actuator	Manual control	A x B [mm]	Damper blades overlaps		Weight		Effective area Sef [m ²]	Spring return actuator	Manual control																																																																																																																																																																																																																																																																																																																																																																																																																																																																																		
	a [mm]	c [mm]	Man. [kg]	Actu. [kg]*					a [mm]	c [mm]	Man. [kg]	Actu. [kg]*																																																																																																																																																																																																																																																																																																																																																																																																																																																																																					
315 x	600	-	217	24,8	25,2	0,1648	BFN	M2	450 x	500	-	167	27,3	27,7	0,1764	BFN	M2																																																																																																																																																																																																																																																																																																																																																																																																																																																																																
	630	-	232	25,6	26,0	0,1581				650	7	242	26,1	26,5	0,1639			700	32	267	27,5	27,9	0,1784	710	37	272	27,8	28,2	0,1813	750	57	292	28,9	29,3	0,1929	800	82	317	30,2	30,6	0,2074	355 x	200	-	17	14,1	14,2	0,0380	BFL	M1	500 x	200	-	17	17,3	17,4	0,0546	BFL	M1	225	-	29	15,0	15,1	0,0462	250	-	42	15,8	15,9	0,0545	280	-	57	16,7	16,8	0,0644	300	-	67	17,7	17,8	0,0710	315	-	74	18,2	18,3	0,0759	355	-	94	19,6	19,7	0,0891	400	-	117	21,0	21,1	0,1040	450	-	142	22,4	22,5	0,1205	500	-	167	23,9	24,3	0,1370	400 x	550	-	192	24,9	25,3	0,1535	BFN	M2	550 x	200	-	17	18,4	18,5	0,0665	BFN	M2	560	-	197	25,2	25,6	0,1568	600	-	217	26,4	26,8	0,1700	630	-	232	27,2	27,6	0,1799	650	7	242	27,8	28,2	0,1865	700	32	267	29,3	29,7	0,2030	710	37	272	29,6	30,0	0,2063	750	57	292	30,7	31,1	0,2195	800	82	317	32,2	34,3	0,2360	200	-	17	15,1	15,2	0,0431	BFL	M1	225	-	29	16,1	16,2	0,0525	250	-	42	16,9	17,0	0,0619	280	-	57	17,9	18,0	0,0731	300	-	67	18,9	19,0	0,0806	315	-	74	19,4	19,5	0,0863	355	-	94	20,9	21,0	0,1013	400	-	117	22,4	22,5	0,1181	450	-	142	23,9	24,0	0,1369	500	-	167	25,5	25,9	0,1556	BFN	M2	550	-	192	26,6	27,0	0,1744	560	-	197	26,9	27,3	0,1781	600	-	217	28,2	28,6	0,1931	630	-	232	29,1	29,5	0,2044	650	7	242	29,7	30,1	0,2119	700	32	267	31,3	31,7	0,2306	710	37	272	31,6	32,0	0,2344	750	57	292	32,8	34,9	0,2494	800	82	317	34,4	36,5	0,2681	BF	M3	200	-	17	16,2	16,3	0,0489	225	-	29	17,3	17,4	0,0595	250	-	42	18,2	18,3	0,0701	280	-	57	19,2	19,3	0,0829	300	-	67	20,3	20,4	0,0914	BFL	M1	315	-	74	20,8	20,9	0,0978	355	-	94	22,4	22,5	0,1148	400	-	117	23,9	24,0	0,1339	450	-	142	25,6	26,0	0,1551	BFN	M2	200	-	17	18,7	18,8	0,0615	225	-	29	19,9	20,0	0,0749	250	-	42	20,9	21,0	0,0883	280	-	57	22,2	22,3	0,1043	300	-	67	23,2	23,3	0,1150	315	-	74	23,8	23,9	0,1231																																																																																								
	650	7	242	26,1	26,5	0,1639				700	32	267	27,5	27,9	0,1784			710	37	272	27,8	28,2	0,1813	750	57	292	28,9	29,3	0,1929	800	82	317	30,2	30,6	0,2074	355 x	200	-	17	14,1	14,2		0,0380	BFL	M1	500 x	200	-				17	17,3	17,4	0,0546	BFL	M1			225	-	29	15,0	15,1	0,0462	250	-	42	15,8	15,9	0,0545	280	-	57	16,7	16,8	0,0644	300	-	67	17,7	17,8	0,0710	315	-	74	18,2	18,3	0,0759	355	-	94	19,6	19,7	0,0891	400	-	117	21,0	21,1	0,1040	450	-	142	22,4	22,5	0,1205	500	-	167	23,9	24,3	0,1370		400 x	550	-	192	24,9	25,3				0,1535	BFN	M2	550 x	200	-			17	18,4	18,5	0,0665	BFN	M2	560	-	197	25,2	25,6	0,1568	600	-	217	26,4	26,8	0,1700	630	-	232	27,2	27,6	0,1799	650	7	242	27,8	28,2	0,1865	700	32	267	29,3	29,7	0,2030	710	37	272	29,6	30,0	0,2063	750	57	292	30,7	31,1	0,2195	800	82	317	32,2	34,3	0,2360			200	-	17	15,1	15,2	0,0431	BFL	M1	225	-	29	16,1	16,2	0,0525	250	-	42	16,9	17,0	0,0619	280	-	57	17,9	18,0	0,0731	300	-	67	18,9	19,0	0,0806	315	-	74	19,4	19,5	0,0863	355	-	94	20,9	21,0	0,1013	400	-	117	22,4	22,5	0,1181	450	-	142	23,9			24,0	0,1369	500	-	167	25,5	25,9	0,1556	BFN	M2	550	-	192	26,6	27,0	0,1744	560	-	197	26,9	27,3	0,1781	600	-	217	28,2	28,6	0,1931	630	-	232	29,1	29,5	0,2044	650	7	242	29,7	30,1	0,2119	700	32	267	31,3	31,7	0,2306	710	37	272	31,6	32,0	0,2344	750	57			292	32,8	34,9	0,2494	800	82	317	34,4	36,5	0,2681	BF	M3	200	-	17	16,2	16,3	0,0489	225	-	29	17,3	17,4	0,0595	250	-	42	18,2	18,3	0,0701			280	-	57	19,2	19,3	0,0829	300	-	67	20,3	20,4	0,0914	BFL	M1	315	-	74	20,8	20,9	0,0978	355	-	94	22,4			22,5	0,1148	400	-	117	23,9	24,0	0,1339	450	-	142	25,6	26,0	0,1551	BFN	M2	200	-	17	18,7	18,8	0,0615	225	-	29	19,9	20,0	0,0749	250	-	42	20,9	21,0	0,0883	280	-	57	22,2	22,3	0,1043	300	-	67	23,2	23,3	0,1150	315	-	74	23,8	23,9	0,1231																																																																								
	700	32	267	27,5	27,9	0,1784				710	37	272	27,8	28,2	0,1813			750	57	292	28,9	29,3	0,1929	800	82	317	30,2	30,6	0,2074	355 x	200	-	17	14,1	14,2		0,0380	BFL	M1	500 x	200		-				17	17,3				17,4	0,0546	BFL	M1					225	-	29	15,0	15,1	0,0462	250	-	42	15,8	15,9	0,0545	280	-	57	16,7	16,8	0,0644	300	-	67	17,7	17,8	0,0710	315	-	74	18,2	18,3	0,0759	355	-	94	19,6	19,7	0,0891	400	-	117	21,0	21,1	0,1040	450	-	142	22,4	22,5	0,1205	500	-	167	23,9	24,3	0,1370			400 x	550	-	192	24,9				25,3				0,1535	BFN			M2	550 x	200	-			17	18,4	18,5	0,0665	BFN	M2	560	-	197	25,2	25,6	0,1568	600	-	217	26,4	26,8	0,1700	630	-	232	27,2	27,6	0,1799	650	7	242	27,8	28,2	0,1865	700	32	267	29,3	29,7	0,2030	710	37	272	29,6	30,0	0,2063	750	57	292	30,7	31,1	0,2195			800	82	317	32,2	34,3	0,2360			200	-	17	15,1	15,2	0,0431	BFL	M1	225	-	29	16,1	16,2	0,0525	250	-	42	16,9	17,0	0,0619	280	-	57	17,9	18,0	0,0731	300	-	67	18,9	19,0	0,0806	315	-	74	19,4	19,5	0,0863	355	-	94	20,9	21,0	0,1013	400	-			117	22,4	22,5	0,1181	450	-	142	23,9			24,0	0,1369	500	-	167	25,5	25,9	0,1556	BFN	M2	550	-	192	26,6	27,0	0,1744	560	-	197	26,9	27,3	0,1781	600	-	217	28,2	28,6	0,1931	630	-	232	29,1	29,5	0,2044	650	7	242	29,7	30,1	0,2119	700	32	267	31,3			31,7	0,2306	710	37	272	31,6	32,0	0,2344	750	57			292	32,8	34,9	0,2494	800	82	317	34,4	36,5	0,2681	BF	M3	200	-	17	16,2	16,3	0,0489			225	-	29	17,3	17,4	0,0595	250	-	42	18,2	18,3	0,0701			280	-	57	19,2	19,3	0,0829	300	-	67	20,3			20,4	0,0914	BFL	M1	315	-	74	20,8	20,9	0,0978	355	-	94	22,4			22,5	0,1148	400	-	117	23,9	24,0	0,1339	450	-	142	25,6	26,0	0,1551	BFN	M2	200	-	17	18,7	18,8	0,0615	225	-	29	19,9	20,0	0,0749	250	-	42	20,9	21,0	0,0883	280	-	57	22,2	22,3	0,1043	300	-	67	23,2	23,3	0,1150	315	-	74	23,8	23,9	0,1231																																																								
	710	37	272	27,8	28,2	0,1813				750	57	292	28,9	29,3	0,1929			800	82	317	30,2	30,6	0,2074	355 x	200	-	17	14,1	14,2		0,0380	BFL	M1	500 x	200		-				17		17,3				17,4	0,0546				BFL	M1							225	-	29	15,0	15,1	0,0462	250	-	42	15,8	15,9	0,0545	280	-	57	16,7	16,8	0,0644	300	-	67	17,7	17,8	0,0710	315	-	74	18,2	18,3	0,0759	355	-	94	19,6	19,7	0,0891	400	-	117	21,0	21,1	0,1040	450	-	142	22,4	22,5	0,1205	500	-	167	23,9	24,3	0,1370				400 x	550	-	192				24,9				25,3						0,1535	BFN			M2	550 x	200	-			17	18,4	18,5	0,0665	BFN	M2	560	-	197	25,2	25,6	0,1568	600	-	217	26,4	26,8	0,1700	630	-	232	27,2	27,6	0,1799	650	7	242	27,8	28,2	0,1865	700	32	267	29,3	29,7	0,2030	710	37	272	29,6	30,0	0,2063			750	57	292	30,7	31,1	0,2195			800	82	317	32,2	34,3	0,2360			200	-	17	15,1	15,2	0,0431	BFL	M1	225	-	29	16,1	16,2	0,0525	250	-	42	16,9	17,0	0,0619	280	-	57	17,9	18,0	0,0731	300	-	67	18,9	19,0	0,0806	315	-	74	19,4	19,5	0,0863			355	-	94	20,9	21,0	0,1013	400	-			117	22,4	22,5	0,1181	450	-	142	23,9			24,0	0,1369	500	-	167	25,5	25,9	0,1556	BFN	M2	550	-	192	26,6	27,0	0,1744	560	-	197	26,9	27,3	0,1781	600	-	217	28,2	28,6	0,1931	630	-	232	29,1	29,5	0,2044			650	7	242	29,7	30,1	0,2119	700	32	267	31,3			31,7	0,2306	710	37	272	31,6	32,0	0,2344	750	57			292	32,8	34,9	0,2494	800	82			317	34,4	36,5	0,2681	BF	M3	200	-	17	16,2	16,3	0,0489			225	-	29	17,3	17,4	0,0595	250	-	42	18,2			18,3	0,0701			280	-	57	19,2	19,3	0,0829	300	-	67	20,3			20,4	0,0914	BFL	M1	315	-	74	20,8	20,9	0,0978	355	-	94	22,4			22,5	0,1148	400	-	117	23,9	24,0	0,1339	450	-	142	25,6	26,0	0,1551	BFN	M2	200	-	17	18,7	18,8	0,0615	225	-	29	19,9	20,0	0,0749	250	-	42	20,9	21,0	0,0883	280	-	57	22,2	22,3	0,1043	300	-	67	23,2	23,3	0,1150	315	-	74	23,8	23,9	0,1231																																								
	750	57	292	28,9	29,3	0,1929				800	82	317	30,2	30,6	0,2074			355 x	200	-	17	14,1	14,2		0,0380	BFL	M1	500 x	200		-				17		17,3				17,4		0,0546				BFL	M1												225	-	29	15,0	15,1	0,0462	250	-	42	15,8	15,9	0,0545	280	-	57	16,7	16,8	0,0644	300	-	67	17,7	17,8	0,0710	315	-	74	18,2	18,3	0,0759	355	-	94	19,6	19,7	0,0891	400	-	117	21,0	21,1	0,1040	450	-	142	22,4	22,5	0,1205	500	-	167	23,9	24,3	0,1370					400 x	550	-				192				24,9						25,3						0,1535	BFN			M2	550 x	200	-			17	18,4	18,5	0,0665	BFN	M2	560	-	197	25,2	25,6	0,1568	600	-	217	26,4	26,8	0,1700	630	-	232	27,2	27,6	0,1799	650	7	242	27,8	28,2	0,1865	700	32	267	29,3	29,7	0,2030			710	37	272	29,6	30,0	0,2063			750	57	292	30,7	31,1	0,2195			800	82	317	32,2	34,3	0,2360			200	-	17	15,1	15,2	0,0431	BFL	M1	225	-	29	16,1	16,2	0,0525	250	-	42	16,9	17,0	0,0619	280	-	57	17,9	18,0	0,0731	300	-	67	18,9			19,0	0,0806	315	-	74	19,4	19,5	0,0863			355	-	94	20,9	21,0	0,1013	400	-			117	22,4	22,5	0,1181	450	-	142	23,9			24,0	0,1369	500	-	167	25,5	25,9	0,1556	BFN	M2	550	-	192	26,6	27,0	0,1744	560	-	197	26,9	27,3	0,1781	600	-			217	28,2	28,6	0,1931	630	-	232	29,1	29,5	0,2044			650	7	242	29,7	30,1	0,2119	700	32	267	31,3			31,7	0,2306	710	37	272	31,6			32,0	0,2344	750	57			292	32,8	34,9	0,2494	800	82			317	34,4	36,5	0,2681	BF	M3	200	-	17	16,2			16,3	0,0489			225	-	29	17,3	17,4	0,0595	250	-	42	18,2			18,3	0,0701			280	-	57	19,2	19,3	0,0829	300	-	67	20,3			20,4	0,0914	BFL	M1	315	-	74	20,8	20,9	0,0978	355	-	94	22,4			22,5	0,1148	400	-	117	23,9	24,0	0,1339	450	-	142	25,6	26,0	0,1551	BFN	M2	200	-	17	18,7	18,8	0,0615	225	-	29	19,9	20,0	0,0749	250	-	42	20,9	21,0	0,0883	280	-	57	22,2	22,3	0,1043	300	-	67	23,2	23,3	0,1150	315	-	74	23,8	23,9	0,1231																								
	800	82	317	30,2	30,6	0,2074				355 x	200	-	17	14,1	14,2				0,0380	BFL	M1	500 x	200		-				17		17,3				17,4		0,0546				BFL		M1																	225	-	29	15,0	15,1	0,0462	250	-	42	15,8	15,9	0,0545	280	-	57	16,7	16,8	0,0644	300	-	67	17,7	17,8	0,0710	315	-	74	18,2	18,3	0,0759	355	-	94	19,6	19,7	0,0891	400	-	117	21,0	21,1	0,1040	450	-	142	22,4	22,5	0,1205	500	-	167	23,9	24,3	0,1370						400 x	550				-				192						24,9						25,3						0,1535	BFN			M2	550 x	200	-			17	18,4	18,5	0,0665	BFN	M2	560	-	197	25,2	25,6	0,1568	600	-	217	26,4	26,8	0,1700	630	-	232	27,2	27,6	0,1799	650	7	242	27,8	28,2	0,1865			700	32	267	29,3	29,7	0,2030			710	37	272	29,6	30,0	0,2063			750	57	292	30,7	31,1	0,2195			800	82	317	32,2	34,3	0,2360			200	-	17	15,1	15,2	0,0431	BFL	M1	225	-	29	16,1	16,2	0,0525	250	-	42	16,9	17,0	0,0619	280	-			57	17,9	18,0	0,0731	300	-	67	18,9			19,0	0,0806	315	-	74	19,4	19,5	0,0863			355	-	94	20,9	21,0	0,1013	400	-			117	22,4	22,5	0,1181	450	-	142	23,9			24,0	0,1369	500	-	167	25,5	25,9	0,1556	BFN	M2	550	-	192	26,6			27,0	0,1744	560	-	197	26,9	27,3	0,1781	600	-			217	28,2	28,6	0,1931	630	-	232	29,1	29,5	0,2044			650	7	242	29,7	30,1	0,2119			700	32	267	31,3			31,7	0,2306	710	37	272	31,6			32,0	0,2344	750	57			292	32,8	34,9	0,2494			800	82			317	34,4	36,5	0,2681	BF	M3	200	-	17	16,2			16,3	0,0489			225	-	29	17,3	17,4	0,0595	250	-	42	18,2			18,3	0,0701			280	-	57	19,2	19,3	0,0829	300	-	67	20,3			20,4	0,0914	BFL	M1	315	-	74	20,8	20,9	0,0978	355	-	94	22,4			22,5	0,1148	400	-	117	23,9	24,0	0,1339	450	-	142	25,6	26,0	0,1551	BFN	M2	200	-	17	18,7	18,8	0,0615	225	-	29	19,9	20,0	0,0749	250	-	42	20,9	21,0	0,0883	280	-	57	22,2	22,3	0,1043	300	-	67	23,2	23,3	0,1150	315	-	74	23,8	23,9	0,1231								
355 x	200	-	17	14,1	14,2	0,0380	BFL	M1	500 x		200	-	17	17,3	17,4	0,0546	BFL		M1																																																																																																																																																																																																																																																																																																																																																																																																																																																																														
	225	-	29	15,0	15,1	0,0462					250	-	42	15,8	15,9	0,0545							280		-				57		16,7				16,8		0,0644																							300	-	67	17,7	17,8	0,0710	315	-	74	18,2	18,3	0,0759	355	-	94	19,6	19,7	0,0891	400	-	117	21,0	21,1	0,1040	450	-	142	22,4	22,5	0,1205	500	-	167	23,9	24,3	0,1370	400 x	550	-	192	24,9	25,3	0,1535	BFN	M2	550 x	200	-	17	18,4	18,5	0,0665	BFN	M2							560				-				197						25,2						25,6						0,1568						600	-			217	26,4	26,8	0,1700			630	-	232	27,2	27,6	0,1799	650	7	242	27,8	28,2	0,1865	700	32	267	29,3	29,7	0,2030	710	37	272	29,6	30,0	0,2063			750	57	292	30,7	31,1	0,2195			800	82	317	32,2	34,3	0,2360			200	-	17	15,1	15,2	0,0431			BFL	M1	225	-	29	16,1			16,2	0,0525	250	-	42	16,9			17,0	0,0619	280	-	57	17,9	18,0	0,0731	300	-	67	18,9	19,0	0,0806			315	-	74	19,4	19,5	0,0863	355	-			94	20,9	21,0	0,1013	400	-	117	22,4			22,5	0,1181	450	-	142	23,9	24,0	0,1369			500	-	167	25,5	25,9	0,1556	BFN	M2			550	-	192	26,6	27,0	0,1744	560	-			197	26,9	27,3	0,1781			600	-	217	28,2	28,6	0,1931	630	-	232	29,1			29,5	0,2044	650	7	242	29,7	30,1	0,2119	700	32			267	31,3	31,7	0,2306	710	37			272	31,6	32,0	0,2344			750	57	292	32,8	34,9	0,2494			800	82	317	34,4			36,5	0,2681	BF	M3			200	-			17	16,2	16,3	0,0489			225	-	29	17,3			17,4	0,0595			250	-	42	18,2	18,3	0,0701	280	-	57	19,2			19,3	0,0829			300	-	67	20,3	20,4	0,0914	BFL	M1	315	-			74	20,8			20,9	0,0978	355	-	94	22,4	22,5	0,1148	400	-			117	23,9	24,0	0,1339	450	-	142	25,6	26,0	0,1551	BFN	M2	200	-			17	18,7	18,8	0,0615	225	-	29	19,9	20,0	0,0749	250	-	42	20,9	21,0	0,0883	280	-	57	22,2	22,3	0,1043	300	-	67	23,2	23,3	0,1150	315	-	74	23,8	23,9	0,1231										
	250	-	42	15,8	15,9	0,0545					280	-	57	16,7	16,8	0,0644							300		-				67		17,7				17,8		0,0710																							315	-	74	18,2	18,3	0,0759	355	-	94	19,6	19,7	0,0891	400	-	117	21,0	21,1	0,1040	450	-	142	22,4	22,5	0,1205	500	-	167	23,9	24,3	0,1370	400 x	550	-	192	24,9	25,3		0,1535	BFN	M2	550 x	200	-				17	18,4	18,5	0,0665	BFN	M2									560				-				197						25,2						25,6						0,1568						600	-			217	26,4	26,8	0,1700			630	-	232	27,2	27,6	0,1799	650	7	242	27,8	28,2	0,1865	700	32	267	29,3	29,7	0,2030	710	37	272	29,6	30,0	0,2063			750	57	292	30,7	31,1	0,2195			800	82	317	32,2	34,3	0,2360			200	-	17	15,1	15,2	0,0431					BFL	M1	225	-			29	16,1	16,2	0,0525	250	-			42	16,9	17,0	0,0619	280	-	57	17,9	18,0	0,0731	300	-	67	18,9			19,0	0,0806	315	-	74	19,4	19,5	0,0863			355	-	94	20,9	21,0	0,1013	400	-			117	22,4	22,5	0,1181	450	-	142	23,9			24,0	0,1369	500	-	167	25,5					25,9	0,1556	BFN	M2	550	-	192	26,6			27,0	0,1744	560	-			197	26,9	27,3	0,1781	600	-	217	28,2	28,6	0,1931			630	-	232	29,1	29,5	0,2044	650	7	242	29,7			30,1	0,2119	700	32	267	31,3			31,7	0,2306	710	37			272	31,6	32,0	0,2344	750	57			292	32,8	34,9	0,2494			800	82					317	34,4			36,5	0,2681	BF	M3			200	-	17	16,2			16,3	0,0489			225	-	29	17,3	17,4	0,0595	250	-	42	18,2			18,3	0,0701			280	-	57	19,2	19,3	0,0829			300	-			67	20,3			20,4	0,0914	BFL	M1	315	-	74	20,8	20,9	0,0978			355	-	94	22,4	22,5	0,1148	400	-	117	23,9			24,0	0,1339			450	-	142	25,6	26,0	0,1551	BFN	M2	200	-	17	18,7	18,8	0,0615	225	-	29	19,9	20,0	0,0749	250	-	42	20,9	21,0	0,0883	280	-	57	22,2	22,3	0,1043	300	-	67	23,2	23,3	0,1150	315	-	74	23,8	23,9	0,1231
	280	-	57	16,7	16,8	0,0644					300	-	67	17,7	17,8	0,0710							315		-				74		18,2				18,3		0,0759																							355	-	94	19,6	19,7	0,0891	400	-	117	21,0	21,1	0,1040	450	-	142	22,4	22,5	0,1205	500	-	167	23,9	24,3	0,1370	400 x	550	-	192	24,9	25,3		0,1535	BFN	M2	550 x	200		-				17	18,4				18,5	0,0665	BFN	M2											560				-				197						25,2						25,6						0,1568						600	-			217	26,4	26,8	0,1700			630	-	232	27,2	27,6	0,1799	650	7	242	27,8	28,2	0,1865	700	32	267	29,3	29,7	0,2030	710	37	272	29,6	30,0	0,2063			750	57	292	30,7	31,1	0,2195			800	82	317	32,2	34,3	0,2360			200	-	17	15,1	15,2	0,0431							BFL	M1			225	-	29	16,1	16,2	0,0525			250	-	42	16,9	17,0	0,0619	280	-	57	17,9	18,0	0,0731	300	-			67	18,9	19,0	0,0806	315	-	74	19,4			19,5	0,0863	355	-	94	20,9	21,0	0,1013			400	-	117	22,4	22,5	0,1181	450	-			142	23,9	24,0	0,1369	500	-					167	25,5			25,9	0,1556	BFN	M2			550	-	192	26,6			27,0	0,1744	560	-	197	26,9	27,3	0,1781	600	-			217	28,2	28,6	0,1931	630	-	232	29,1	29,5	0,2044			650	7	242	29,7	30,1	0,2119			700	32	267	31,3			31,7	0,2306	710	37	272	31,6			32,0	0,2344	750	57			292	32,8					34,9	0,2494			800	82					317	34,4	36,5	0,2681			BF	M3			200	-	17	16,2	16,3	0,0489	225	-	29	17,3			17,4	0,0595			250	-	42	18,2	18,3	0,0701			280	-			57	19,2			19,3	0,0829			300	-	67	20,3	20,4	0,0914			BFL	M1	315	-	74	20,8	20,9	0,0978	355	-			94	22,4			22,5	0,1148	400	-	117	23,9			24,0	0,1339	450	-	142	25,6	26,0	0,1551	BFN	M2	200	-	17	18,7	18,8	0,0615	225	-	29	19,9	20,0	0,0749	250	-	42	20,9	21,0	0,0883	280	-	57	22,2	22,3	0,1043	300	-
	300	-	67	17,7	17,8	0,0710					315	-	74	18,2	18,3	0,0759							355		-				94		19,6				19,7		0,0891					400							-	117	21,0							21,1	0,1040	450	-	142	22,4	22,5	0,1205	500	-	167	23,9	24,3	0,1370	400 x	550	-	192	24,9	25,3	0,1535	BFN	M2	550 x	200	-		17	18,4	18,5	0,0665	BFN		M2				560		-				197	25,2				25,6	0,1568							600						-	217	26,4	26,8	0,1700				630		-	232			27,2						27,6						0,1799						650	7			242	27,8	28,2	0,1865			700	32	267	29,3	29,7	0,2030	710	37	272	29,6	30,0	0,2063	750	57	292	30,7	31,1	0,2195	800	82	317	32,2	34,3	0,2360	200	-	17	15,1	15,2	0,0431	BFL	M1			225	-	29	16,1	16,2	0,0525			250	-	42	16,9	17,0	0,0619											280	-	57	17,9	18,0	0,0731			300	-	67	18,9	19,0	0,0806	315	-	74	19,4	19,5	0,0863	355	-	94	20,9	21,0	0,1013	400	-	117	22,4	22,5	0,1181			450	-	142	23,9	24,0	0,1369	500	-			167	25,5	25,9	0,1556	BFN	M2	550	-			192	26,6	27,0	0,1744	560	-					197	26,9			27,3	0,1781					600	-	217	28,2	28,6	0,1931	630	-	232	29,1	29,5	0,2044	650	7	242	29,7			30,1	0,2119	700	32	267	31,3	31,7	0,2306	710	37			272	31,6	32,0	0,2344	750	57	292	32,8	34,9	0,2494	800	82			317	34,4	36,5	0,2681	BF	M3			200	-	17	16,2			16,3	0,0489			225	-	29	17,3			17,4	0,0595					250	-	42	18,2							18,3	0,0701	280	-	57	19,2	19,3	0,0829	300	-			67	20,3			20,4	0,0914	BFL	M1	315	-			74	20,8			20,9	0,0978			355	-			94	22,4	22,5	0,1148	400	-					117	23,9	24,0	0,1339	450	-	142	25,6			26,0	0,1551			BFN	M2	200	-	17	18,7			18,8	0,0615	225	-	29	19,9	20,0	0,0749			250	-	42	20,9	21,0	0,0883	280	-	57	22,2	22,3	0,1043	300	-	67	23,2	23,3	0,1150	315	-	74	23,8	23,9	0,1231		
	315	-	74	18,2	18,3	0,0759					355	-	94	19,6	19,7	0,0891							400		-				117		21,0				21,1	0,1040	450					-		142	22,4	22,5			0,1205	500	-					167	23,9	24,3	0,1370	400 x	550	-	192	24,9	25,3	0,1535	BFN	M2	550 x	200	-		17	18,4	18,5	0,0665	BFN	M2				560	-		197	25,2	25,6	0,1568							600		-				217	26,4				26,8	0,1700							630	-					232	27,2	27,6	0,1799	650	7	242	27,8	28,2		0,1865	700			32		267	29,3			29,7						0,2030						710	37			272	29,6	30,0	0,2063			750	57	292	30,7	31,1	0,2195	800	82	317	32,2	34,3	0,2360	200	-	17	15,1	15,2	0,0431	BFL	M1	225	-	29	16,1	16,2	0,0525	250	-	42	16,9			17,0	0,0619	280	-	57	17,9	18,0	0,0731			300	-	67	18,9	19,0	0,0806											315	-	74	19,4	19,5	0,0863			355	-	94	20,9	21,0	0,1013	400	-	117	22,4	22,5	0,1181	450	-	142	23,9	24,0	0,1369	500	-	167	25,5	25,9	0,1556	BFN	M2	550	-	192	26,6	27,0	0,1744	560	-			197	26,9	27,3	0,1781			600	-			217	28,2	28,6	0,1931	630	-					232	29,1			29,5	0,2044					650	7	242	29,7	30,1	0,2119	700	32	267	31,3	31,7	0,2306	710	37	272	31,6	32,0	0,2344	750	57	292	32,8	34,9	0,2494	800	82	317	34,4			36,5	0,2681	BF	M3	200	-	17	16,2	16,3	0,0489	225	-			29	17,3	17,4	0,0595			250	-	42	18,2	18,3	0,0701			280	-			57	19,2	19,3	0,0829			300	-					67	20,3	20,4	0,0914	BFL	M1					315	-	74	20,8	20,9	0,0978	355	-	94	22,4			22,5	0,1148			400	-			117	23,9			24,0	0,1339			450	-			142	25,6			26,0	0,1551	BFN	M2	200	-					17	18,7	18,8	0,0615	225	-	29	19,9			20,0	0,0749					250	-	42	20,9			21,0	0,0883	280	-	57	22,2	22,3	0,1043			300	-	67	23,2	23,3	0,1150	315	-	74	23,8	23,9	0,1231														
	355	-	94	19,6	19,7	0,0891					400	-	117	21,0	21,1	0,1040							450		-				142	22,4	22,5				0,1205	500	-	167	23,9	24,3		0,1370		400 x	550	-			192	24,9	25,3			0,1535	BFN	M2	550 x	200	-		17	18,4	18,5	0,0665	BFN	M2				560	-		197	25,2	25,6	0,1568						600	-		217	26,4	26,8	0,1700							630		-				232	27,2				27,6	0,1799							650	7	242				27,8	28,2	0,1865	700	32	267	29,3	29,7	0,2030	710	37	272	29,6	30,0	0,2063		750	57			292		30,7	31,1			0,2195						800	82			317	32,2	34,3	0,2360			200	-	17	15,1	15,2	0,0431	BFL	M1	225	-	29	16,1	16,2	0,0525	250	-	42	16,9			17,0	0,0619	280	-	57	17,9	18,0	0,0731	300	-			67	18,9	19,0	0,0806	315	-	74	19,4	19,5	0,0863	355	-	94	20,9	21,0	0,1013											400	-	117	22,4	22,5	0,1181			450	-	142	23,9	24,0	0,1369	500	-	167	25,5	25,9	0,1556	BFN	M2	550	-	192	26,6	27,0	0,1744	560	-	197	26,9			27,3	0,1781	600	-	217	28,2	28,6	0,1931	630	-	232	29,1	29,5	0,2044			650	7			242	29,7	30,1	0,2119	700	32					267	31,3			31,7	0,2306					710	37	272	31,6	32,0	0,2344	750	57	292	32,8	34,9	0,2494	800	82	317	34,4	36,5	0,2681	BF	M3	200	-	17	16,2	16,3	0,0489	225	-	29	17,3	17,4	0,0595			250	-	42	18,2	18,3	0,0701	280	-			57	19,2	19,3	0,0829			300	-	67	20,3	20,4	0,0914			BFL	M1			315	-	74	20,8	20,9	0,0978	355	-					94	22,4	22,5	0,1148							400	-	117	23,9	24,0	0,1339	450	-	142	25,6	26,0	0,1551	BFN	M2			200	-			17	18,7			18,8	0,0615			225	-			29	19,9			20,0	0,0749			250	-					42	20,9	21,0	0,0883	280	-	57	22,2			22,3	0,1043					300	-	67	23,2			23,3	0,1150	315	-	74	23,8	23,9	0,1231																												
	400	-	117	21,0	21,1	0,1040					450	-	142	22,4	22,5	0,1205							500	-	167				23,9	24,3	0,1370	400 x	550	-	192	24,9	25,3	0,1535	BFN	M2		550 x			200	-			17	18,4	18,5	0,0665	BFN	M2				560	-		197	25,2	25,6	0,1568						600	-		217	26,4	26,8	0,1700						630	-		232	27,2	27,6	0,1799							650		7				242	27,8				28,2	0,1865							700	32	267	29,3			29,7	0,2030	710	37	272	29,6	30,0	0,2063	750	57	292	30,7	31,1	0,2195	800	82	317	32,2	34,3	0,2360	200		-	17			15,1		15,2	0,0431			BFL	M1			225	-	29	16,1			16,2	0,0525	250	-	42	16,9			17,0	0,0619	280	-	57	17,9	18,0	0,0731	300	-			67	18,9	19,0	0,0806	315	-	74	19,4	19,5	0,0863			355	-	94	20,9	21,0	0,1013	400	-	117	22,4	22,5	0,1181	450	-	142	23,9	24,0	0,1369									500	-	167	25,5	25,9	0,1556			BFN	M2	550	-	192	26,6	27,0	0,1744	560	-	197	26,9			27,3	0,1781	600	-	217	28,2	28,6	0,1931	630	-			232	29,1	29,5	0,2044	650	7	242	29,7	30,1	0,2119	700	32	267	31,3			31,7	0,2306	710	37	272	31,6	32,0	0,2344	750	57					292	32,8			34,9	0,2494					800	82	317	34,4	36,5	0,2681	BF	M3	200	-	17	16,2	16,3	0,0489	225	-	29	17,3			17,4	0,0595	250	-	42	18,2	18,3	0,0701	280	-	57	19,2			19,3	0,0829	300	-	67	20,3	20,4	0,0914	BFL	M1	315	-	74	20,8			20,9	0,0978	355	-	94	22,4							22,5	0,1148	400	-	117	23,9	24,0	0,1339					450	-	142	25,6					26,0	0,1551	BFN	M2	200	-	17	18,7	18,8	0,0615	225	-	29	19,9					20,0	0,0749			250	-			42	20,9	21,0	0,0883	280	-			57	22,2			22,3	0,1043			300	-					67	23,2	23,3	0,1150	315	-	74	23,8			23,9	0,1231																																														
	450	-	142	22,4	22,5	0,1205					500	-	167	23,9	24,3	0,1370		400 x					550	-	192	24,9	25,3	0,1535	BFN	M2	550 x		200	-	17	18,4	18,5	0,0665							BFN	M2	560	-	197	25,2	25,6	0,1568						600	-		217	26,4	26,8	0,1700						630	-		232	27,2	27,6	0,1799						650	7		242	27,8	28,2	0,1865							700		32				267	29,3				29,7	0,2030							710	37	272	29,6	30,0		0,2063	750	57	292	30,7	31,1	0,2195	800	82	317	32,2	34,3	0,2360	200	-	17	15,1	15,2	0,0431	BFL	M1	225	-	29	16,1	16,2	0,0525		250	-					42	16,9	17,0	0,0619	280	-			57	17,9	18,0	0,0731	300	-			67	18,9	19,0	0,0806	315	-	74	19,4	19,5	0,0863			355	-	94	20,9	21,0	0,1013	400	-	117	22,4			22,5	0,1181	450	-	142	23,9	24,0	0,1369	500	-	167	25,5	25,9	0,1556	BFN	M2	550	-							192	26,6	27,0	0,1744	560	-	197	26,9					27,3	0,1781	600	-	217	28,2	28,6	0,1931	630	-			232	29,1	29,5	0,2044	650	7	242	29,7	30,1	0,2119			700	32	267	31,3	31,7	0,2306	710	37	272	31,6	32,0	0,2344	750	57			292	32,8	34,9	0,2494	800	82	317	34,4	36,5	0,2681			BF	M3	200	-			17	16,2					16,3	0,0489	225	-	29	17,3			17,4	0,0595	250	-	42	18,2	18,3	0,0701	280	-			57	19,2	19,3	0,0829	300	-	67	20,3	20,4	0,0914	BFL	M1			315	-	74	20,8	20,9	0,0978	355	-			94	22,4	22,5	0,1148			400	-	117	23,9	24,0	0,1339	450	-					142	25,6	26,0	0,1551	BFN	M2	200	-					17	18,7	18,8	0,0615					225	-			29	19,9	20,0	0,0749	250	-	42	20,9	21,0	0,0883			280	-	57	22,2			22,3	0,1043			300	-	67	23,2	23,3	0,1150			315	-			74	23,8			23,9	0,1231																																																														
	500	-	167	23,9	24,3	0,1370				400 x	550	-	192	24,9	25,3	0,1535				BFN	M2	550 x	200	-	17	18,4	18,5	0,0665					BFN	M2	560	-	197	25,2			25,6		0,1568				600	-	217	26,4	26,8	0,1700						630	-		232	27,2	27,6	0,1799						650	7		242	27,8	28,2	0,1865						700	32		267	29,3	29,7	0,2030							710		37				272	29,6				30,0	0,2063							750	57	292	30,7	31,1	0,2195	800	82	317	32,2	34,3	0,2360	200	-	17	15,1	15,2	0,0431	BFL	M1	225	-	29	16,1	16,2			0,0525	250	-	42	16,9	17,0	0,0619	280	-	57	17,9			18,0	0,0731	300	-	67	18,9	19,0	0,0806	315	-	74	19,4	19,5	0,0863			355	-	94	20,9	21,0	0,1013	400	-	117	22,4			22,5	0,1181	450	-	142	23,9	24,0	0,1369	500	-			167	25,5	25,9	0,1556	BFN	M2	550	-	192	26,6	27,0	0,1744	560	-			197	26,9							27,3	0,1781	600	-	217	28,2	28,6	0,1931	630	-			232	29,1	29,5	0,2044	650	7	242	29,7	30,1	0,2119			700	32	267	31,3	31,7	0,2306	710	37	272	31,6			32,0	0,2344	750	57	292	32,8	34,9	0,2494	800	82	317	34,4	36,5	0,2681			BF	M3	200	-	17	16,2	16,3	0,0489	225	-					29	17,3			17,4	0,0595			250	-	42	18,2	18,3	0,0701	280	-			57	19,2	19,3	0,0829	300	-	67	20,3	20,4	0,0914			BFL	M1	315	-	74	20,8	20,9	0,0978	355	-					94	22,4	22,5	0,1148	400	-	117	23,9			24,0	0,1339	450	-			142	25,6	26,0	0,1551	BFN	M2	200	-					17	18,7	18,8	0,0615			225	-			29	19,9	20,0	0,0749	250	-					42	20,9			21,0	0,0883	280	-	57	22,2	22,3	0,1043	300	-			67	23,2	23,3	0,1150			315	-			74	23,8	23,9	0,1231																																																																												
400 x	550	-	192	24,9	25,3	0,1535	BFN	M2	550 x		200	-	17	18,4	18,5	0,0665	BFN		M2																																																																																																																																																																																																																																																																																																																																																																																																																																																																														
	560	-	197	25,2	25,6	0,1568					600	-	217	26,4	26,8	0,1700							630	-	232	27,2	27,6	0,1799							650	7	242	27,8			28,2		0,1865				700	32	267	29,3	29,7	0,2030						710	37		272	29,6	30,0	0,2063						750	57		292	30,7	31,1	0,2195						800	82		317	32,2	34,3	0,2360							200	-	17				15,1	15,2	0,0431	BFL	M1	225	-					29	16,1	16,2	0,0525	250	-	42	16,9	17,0	0,0619	280	-	57	17,9	18,0	0,0731	300	-	67	18,9			19,0	0,0806	315	-	74			19,4	19,5	0,0863	355	-	94	20,9	21,0	0,1013	400	-			117	22,4	22,5	0,1181	450	-	142	23,9	24,0	0,1369	500	-	167	25,5			25,9	0,1556	BFN	M2	550	-	192	26,6	27,0	0,1744			560	-	197	26,9	27,3	0,1781	600	-	217	28,2			28,6	0,1931	630	-			232	29,1	29,5	0,2044	650	7	242	29,7			30,1	0,2119	700	32					267	31,3	31,7	0,2306	710	37	272	31,6	32,0	0,2344			750	57	292	32,8	34,9	0,2494	800	82	317	34,4			36,5	0,2681	BF	M3	200	-	17	16,2	16,3	0,0489			225	-	29	17,3	17,4	0,0595	250	-	42	18,2	18,3	0,0701	280	-					57	19,2	19,3	0,0829	300	-	67	20,3	20,4	0,0914			BFL	M1			315	-			74	20,8	20,9	0,0978	355	-	94	22,4			22,5	0,1148	400	-	117	23,9	24,0	0,1339	450	-					142	25,6	26,0	0,1551	BFN	M2	200	-					17	18,7	18,8	0,0615	225	-	29	19,9			20,0	0,0749	250	-			42	20,9	21,0	0,0883			280	-			57	22,2	22,3	0,1043	300	-			67	23,2			23,3	0,1150	315	-	74	23,8					23,9	0,1231																																																																																																								
	600	-	217	26,4	26,8	0,1700					630	-	232	27,2	27,6	0,1799							650	7	242	27,8	28,2	0,1865							700	32	267	29,3			29,7		0,2030				710	37	272	29,6	30,0	0,2063						750	57		292	30,7	31,1	0,2195						800	82		317	32,2	34,3	0,2360						200	-		17	15,1	15,2	0,0431		BFL					M1	225	-	29	16,1	16,2	0,0525	250	-			42	16,9			17,0	0,0619	280	-	57	17,9	18,0	0,0731	300	-	67	18,9	19,0	0,0806	315	-	74	19,4	19,5	0,0863	355	-			94	20,9	21,0	0,1013	400			-	117	22,4	22,5	0,1181	450	-	142	23,9	24,0	0,1369			500	-	167	25,5	25,9	0,1556	BFN	M2	550	-	192	26,6	27,0	0,1744			560	-			197	26,9	27,3	0,1781	600	-			217	28,2	28,6	0,1931	630	-	232	29,1	29,5	0,2044			650	7	242	29,7			30,1	0,2119	700	32	267	31,3	31,7	0,2306			710	37	272	31,6	32,0	0,2344			750	57	292	32,8	34,9	0,2494	800	82	317	34,4			36,5	0,2681	BF	M3	200	-	17	16,2	16,3	0,0489			225	-			29	17,3	17,4	0,0595	250	-			42	18,2	18,3	0,0701	280	-	57	19,2	19,3	0,0829	300	-	67	20,3					20,4	0,0914	BFL	M1	315	-	74	20,8	20,9	0,0978					355	-	94	22,4			22,5	0,1148	400	-	117	23,9	24,0	0,1339			450	-	142	25,6	26,0	0,1551	BFN	M2	200	-					17	18,7	18,8	0,0615			225	-					29	19,9	20,0	0,0749	250	-	42	20,9			21,0	0,0883	280	-			57	22,2	22,3	0,1043			300	-			67	23,2	23,3	0,1150	315	-			74	23,8	23,9	0,1231																																																																																																																				
	630	-	232	27,2	27,6	0,1799					650	7	242	27,8	28,2	0,1865							700	32	267	29,3	29,7	0,2030							710	37	272	29,6			30,0		0,2063				750	57	292	30,7	31,1	0,2195						800	82		317	32,2	34,3	0,2360						200	-		17	15,1	15,2	0,0431						BFL	M1	225	-	29	16,1	16,2				0,0525	250	-		42	16,9	17,0	0,0619	280	-	57	17,9			18,0	0,0731	300	-	67	18,9	19,0	0,0806	315	-	74	19,4	19,5	0,0863	355	-	94	20,9	21,0	0,1013	400	-	117	22,4	22,5	0,1181			450	-	142	23,9	24,0			0,1369	500	-	167	25,5	25,9	0,1556	BFN	M2	550	-			192	26,6	27,0	0,1744	560	-			197	26,9	27,3	0,1781	600	-			217	28,2			28,6	0,1931	630	-	232	29,1			29,5	0,2044	650	7	242	29,7	30,1	0,2119	700	32			267	31,3	31,7	0,2306			710	37	272	31,6	32,0	0,2344	750	57			292	32,8	34,9	0,2494	800	82	317	34,4	36,5	0,2681	BF	M3	200	-	17	16,2	16,3	0,0489			225	-			29	17,3	17,4	0,0595	250	-			42	18,2			18,3	0,0701	280	-	57	19,2			19,3	0,0829	300	-	67	20,3	20,4	0,0914	BFL	M1	315	-	74	20,8					20,9	0,0978			355	-	94	22,4	22,5	0,1148					400	-	117	23,9	24,0	0,1339	450	-	142	25,6	26,0	0,1551	BFN	M2			200	-	17	18,7	18,8	0,0615			225	-					29	19,9	20,0	0,0749			250	-					42	20,9	21,0	0,0883	280	-	57	22,2			22,3	0,1043	300	-			67	23,2	23,3	0,1150			315	-			74	23,8	23,9	0,1231																																																																																																																												
	650	7	242	27,8	28,2	0,1865					700	32	267	29,3	29,7	0,2030							710	37	272	29,6	30,0	0,2063							750	57	292	30,7			31,1		0,2195				800	82	317	32,2	34,3	0,2360						200	-		17	15,1	15,2	0,0431						BFL	M1	225	-	29	16,1	16,2			0,0525	250	-			42	16,9	17,0	0,0619	280	-		57	17,9	18,0	0,0731		300	-	67	18,9	19,0	0,0806	315	-			74	19,4	19,5	0,0863	355	-	94	20,9	21,0	0,1013	400	-	117	22,4	22,5	0,1181	450	-	142	23,9	24,0	0,1369	500	-	167	25,5			25,9	0,1556	BFN	M2	550			-	192	26,6	27,0	0,1744	560	-			197	26,9			27,3	0,1781	600	-	217	28,2			28,6	0,1931	630	-	232	29,1			29,5	0,2044			650	7	242	29,7	30,1	0,2119			700	32	267	31,3	31,7	0,2306	710	37	272	31,6	32,0	0,2344	750	57	292	32,8			34,9	0,2494	800	82	317	34,4	36,5	0,2681			BF	M3	200	-	17	16,2	16,3	0,0489	225	-			29	17,3	17,4	0,0595	250	-			42	18,2			18,3	0,0701	280	-	57	19,2			19,3	0,0829			300	-	67	20,3	20,4	0,0914			BFL	M1	315	-	74	20,8	20,9	0,0978			355	-	94	22,4	22,5	0,1148			400	-			117	23,9	24,0	0,1339	450	-					142	25,6	26,0	0,1551	BFN	M2	200	-	17	18,7	18,8	0,0615					225	-	29	19,9	20,0	0,0749			250	-					42	20,9	21,0	0,0883			280	-					57	22,2	22,3	0,1043	300	-	67	23,2			23,3	0,1150	315	-	74	23,8	23,9	0,1231																																																																																																																																								
	700	32	267	29,3	29,7	0,2030					710	37	272	29,6	30,0	0,2063							750	57	292	30,7	31,1	0,2195							800	82	317	32,2			34,3		0,2360				200	-	17	15,1	15,2	0,0431						BFL	M1	225	-	29	16,1	16,2			0,0525	250	-			42	16,9	17,0	0,0619	280	-	57	17,9	18,0	0,0731			300	-	67	18,9	19,0	0,0806		315	-	74	19,4		19,5	0,0863	355	-	94	20,9	21,0	0,1013			400	-	117	22,4	22,5	0,1181	450	-	142	23,9	24,0	0,1369	500	-	167	25,5	25,9	0,1556	BFN	M2	550	-	192	26,6	27,0	0,1744			560	-			197			26,9	27,3	0,1781	600	-	217	28,2			28,6	0,1931			630	-	232	29,1	29,5	0,2044			650	7	242	29,7	30,1	0,2119			700	32			267	31,3	31,7	0,2306	710	37	272	31,6	32,0	0,2344	750	57	292	32,8	34,9	0,2494	800	82	317	34,4	36,5	0,2681	BF	M3			200	-	17	16,2	16,3	0,0489	225	-					29	17,3	17,4	0,0595	250	-	42	18,2			18,3	0,0701	280	-	57	19,2			19,3	0,0829			300	-	67	20,3	20,4	0,0914			BFL	M1			315	-	74	20,8	20,9	0,0978	355	-			94	22,4	22,5	0,1148	400	-			117	23,9	24,0	0,1339	450	-			142	25,6			26,0	0,1551	BFN	M2	200	-					17	18,7	18,8	0,0615			225	-	29	19,9	20,0	0,0749					250	-	42	20,9	21,0	0,0883			280	-					57	22,2	22,3	0,1043			300	-			67	23,2	23,3	0,1150	315	-	74	23,8	23,9	0,1231																																																																																																																																																		
	710	37	272	29,6	30,0	0,2063					750	57	292	30,7	31,1	0,2195							800	82	317	32,2	34,3	0,2360							200	-	17	15,1			15,2		0,0431	BFL			M1	225	-	29	16,1	16,2			0,0525	250	-			42	16,9	17,0	0,0619	280	-	57	17,9	18,0	0,0731			300	-	67	18,9	19,0	0,0806	315	-	74	19,4			19,5	0,0863	355	-	94	20,9		21,0	0,1013	400	-		117	22,4	22,5	0,1181	450	-	142	23,9			24,0	0,1369	500	-	167	25,5	25,9	0,1556	BFN	M2	550	-	192	26,6	27,0	0,1744	560	-			197	26,9	27,3	0,1781	600	-			217	28,2			28,6			0,1931	630	-	232	29,1	29,5	0,2044			650	7			242	29,7	30,1	0,2119	700	32			267	31,3	31,7	0,2306	710	37	272	31,6	32,0	0,2344			750	57	292	32,8	34,9	0,2494	800	82	317	34,4	36,5	0,2681	BF	M3	200	-	17	16,2	16,3	0,0489	225	-					29	17,3	17,4	0,0595	250	-	42	18,2					18,3	0,0701	280	-	57	19,2	19,3	0,0829			300	-	67	20,3	20,4	0,0914			BFL	M1			315	-	74	20,8	20,9	0,0978	355	-					94	22,4	22,5	0,1148	400	-	117	23,9			24,0	0,1339	450	-	142	25,6			26,0	0,1551	BFN	M2	200	-			17	18,7			18,8	0,0615			225	-					29	19,9	20,0	0,0749			250	-	42	20,9	21,0	0,0883					280	-	57	22,2	22,3	0,1043			300	-	67	23,2			23,3	0,1150	315	-			74	23,8			23,9	0,1231																																																																																																																																																										
	750	57	292	30,7	31,1	0,2195					800	82	317	32,2	34,3	0,2360							200	-	17	15,1	15,2	0,0431				BFL			M1	225	-	29	16,1	16,2	0,0525	250	-					42	16,9	17,0	0,0619	280	-	57	17,9	18,0	0,0731			300	-	67	18,9	19,0	0,0806	315	-	74	19,4			19,5	0,0863	355	-	94	20,9	21,0	0,1013	400	-			117	22,4	22,5	0,1181	450	-		142	23,9	24,0	0,1369		500	-	167	25,5	25,9	0,1556	BFN	M2			550	-	192	26,6	27,0	0,1744	560	-			197	26,9	27,3	0,1781	600	-	217	28,2			28,6	0,1931	630	-	232	29,1			29,5	0,2044			650			7	242	29,7	30,1	0,2119	700	32			267	31,3	31,7	0,2306	710	37	272	31,6	32,0	0,2344			750	57	292	32,8	34,9	0,2494	800	82	317	34,4			36,5	0,2681	BF	M3	200	-	17	16,2	16,3	0,0489	225	-			29	17,3	17,4	0,0595	250	-	42	18,2					18,3	0,0701	280	-	57	19,2	19,3	0,0829					300	-	67	20,3	20,4	0,0914	BFL	M1			315	-	74	20,8	20,9	0,0978	355	-					94	22,4	22,5	0,1148	400	-	117	23,9					24,0	0,1339	450	-	142	25,6	26,0	0,1551			BFN	M2	200	-	17	18,7			18,8	0,0615			225	-			29	19,9			20,0	0,0749			250	-					42	20,9	21,0	0,0883			280	-	57	22,2	22,3	0,1043			300	-	67	23,2	23,3	0,1150	315	-			74	23,8	23,9	0,1231																																																																																																																																																																								
	800	82	317	32,2	34,3	0,2360					200	-	17	15,1	15,2	0,0431		BFL					M1	225	-	29	16,1	16,2	0,0525	250	-					42	16,9	17,0	0,0619	280	-	57	17,9		18,0	0,0731		300	-	67	18,9	19,0	0,0806	315	-	74	19,4			19,5	0,0863	355	-	94	20,9	21,0	0,1013	400	-			117	22,4	22,5	0,1181	450	-	142	23,9	24,0	0,1369			500	-	167	25,5	25,9	0,1556		BFN	M2	550	-		192	26,6	27,0	0,1744	560	-					197	26,9	27,3	0,1781	600	-	217	28,2			28,6	0,1931	630	-	232	29,1	29,5	0,2044			650	7	242	29,7	30,1	0,2119			700	32			267	31,3	31,7	0,2306	710	37	272	31,6	32,0	0,2344			750	57	292	32,8	34,9	0,2494	800	82	317	34,4			36,5	0,2681	BF	M3	200	-	17	16,2	16,3	0,0489			225	-			29	17,3	17,4	0,0595	250	-	42	18,2			18,3	0,0701	280	-	57	19,2	19,3	0,0829					300	-	67	20,3	20,4	0,0914	BFL	M1	315	-			74	20,8	20,9	0,0978	355	-					94	22,4	22,5	0,1148	400	-	117	23,9					24,0	0,1339	450	-	142	25,6	26,0	0,1551					BFN	M2	200	-	17	18,7	18,8	0,0615					225	-	29	19,9			20,0	0,0749			250	-			42	20,9			21,0	0,0883			280	-	57	22,2			22,3	0,1043	300	-			67	23,2	23,3	0,1150	315	-			74	23,8	23,9	0,1231																																																																																																																																																																																		
	200	-	17	15,1	15,2	0,0431				BFL	M1	225	-	29	16,1	16,2				0,0525	250	-		42	16,9	17,0	0,0619	280	-	57	17,9		18,0	0,0731		300	-	67	18,9	19,0	0,0806	315	-		74	19,4		19,5	0,0863	355	-	94	20,9	21,0	0,1013	400	-			117	22,4	22,5	0,1181	450	-	142	23,9	24,0	0,1369			500	-	167	25,5	25,9	0,1556	BFN	M2	550	-			192	26,6	27,0	0,1744	560	-				197	26,9		27,3	0,1781	600	-	217	28,2					28,6	0,1931	630	-	232	29,1	29,5	0,2044			650	7	242	29,7	30,1	0,2119	700	32			267	31,3	31,7	0,2306	710	37	272	31,6	32,0	0,2344			750	57	292	32,8	34,9	0,2494	800	82	317	34,4			36,5	0,2681	BF	M3	200	-	17	16,2	16,3	0,0489			225	-			29	17,3	17,4	0,0595	250	-			42	18,2			18,3	0,0701	280	-	57	19,2	19,3	0,0829			300	-	67	20,3	20,4	0,0914	BFL	M1			315	-	74	20,8	20,9	0,0978	355	-			94	22,4			22,5	0,1148	400	-	117	23,9					24,0	0,1339	450	-	142	25,6	26,0	0,1551					BFN	M2	200	-	17	18,7	18,8	0,0615							225	-	29	19,9	20,0	0,0749					250	-	42	20,9			21,0	0,0883			280	-	57	22,2	22,3	0,1043			300	-			67	23,2	23,3	0,1150			315	-	74	23,8			23,9	0,1231																																																																																																																																																																																												
225	-	29	16,1	16,2	0,0525	250	-	42	16,9			17,0	0,0619	280	-	57	17,9		18,0	0,0731	300	-		67	18,9	19,0	0,0806	315	-	74	19,4		19,5	0,0863		355	-	94	20,9	21,0	0,1013	400	-		117	22,4		22,5	0,1181	450	-	142	23,9	24,0	0,1369	500	-			167	25,5	25,9	0,1556	BFN	M2	550	-	192	26,6			27,0	0,1744	560	-	197	26,9			27,3	0,1781			600	-	217	28,2	28,6	0,1931				630	-		232	29,1	29,5	0,2044	650	7					242	29,7	30,1	0,2119	700	32	267	31,3			31,7	0,2306	710	37	272	31,6	32,0	0,2344			750	57	292	32,8	34,9	0,2494	800	82	317	34,4			36,5	0,2681	BF	M3	200	-	17	16,2	16,3	0,0489			225	-			29	17,3	17,4	0,0595	250	-			42	18,2			18,3	0,0701	280	-	57	19,2			19,3	0,0829			300	-	67	20,3	20,4	0,0914	BFL	M1			315	-	74	20,8	20,9	0,0978					355	-	94	22,4	22,5	0,1148	400	-			117	23,9			24,0	0,1339	450	-	142	25,6					26,0	0,1551	BFN	M2	200	-	17	18,7							18,8	0,0615	225	-	29	19,9							20,0	0,0749	250	-	42	20,9					21,0	0,0883	280	-			57	22,2			22,3	0,1043	300	-	67	23,2			23,3	0,1150			315	-	74	23,8			23,9	0,1231																																																																																																																																																																																																		
250	-	42	16,9	17,0	0,0619	280	-	57	17,9			18,0	0,0731	300	-	67	18,9		19,0	0,0806	315	-		74	19,4	19,5	0,0863	355	-	94	20,9		21,0	0,1013		400	-	117	22,4	22,5	0,1181	450	-		142	23,9		24,0	0,1369	500	-	167	25,5	25,9	0,1556	BFN	M2			550	-	192	26,6			27,0	0,1744	560	-			197	26,9	27,3	0,1781	600	-			217	28,2			28,6	0,1931	630	-	232	29,1				29,5	0,2044		650	7	242	29,7	30,1	0,2119			700	32	267	31,3	31,7	0,2306	710	37	272	31,6			32,0	0,2344	750	57	292	32,8	34,9	0,2494			800	82	317	34,4	36,5	0,2681	BF	M3	200	-			17	16,2			16,3	0,0489	225	-	29	17,3			17,4	0,0595			250	-	42	18,2	18,3	0,0701			280	-			57	19,2	19,3	0,0829	300	-	67	20,3	20,4	0,0914			BFL	M1	315	-	74	20,8					20,9	0,0978	355	-	94	22,4					22,5	0,1148	400	-	117	23,9	24,0	0,1339			450	-			142	25,6	26,0	0,1551	BFN	M2					200	-			17	18,7	18,8	0,0615							225	-	29	19,9	20,0	0,0749			250	-			42	20,9	21,0	0,0883	280	-					57	22,2	22,3	0,1043			300	-			67	23,2	23,3	0,1150	315	-			74	23,8			23,9	0,1231																																																																																																																																																																																																								
280	-	57	17,9	18,0	0,0731	300	-	67	18,9			19,0	0,0806	315	-	74	19,4		19,5	0,0863	355	-		94	20,9	21,0	0,1013	400	-	117	22,4		22,5	0,1181		450	-	142	23,9	24,0	0,1369	500	-		167	25,5		25,9	0,1556	BFN	M2	550	-	192	26,6					27,0	0,1744	560	-			197	26,9	27,3	0,1781			600	-	217	28,2	28,6	0,1931			630	-			232	29,1	29,5	0,2044	650	7	242			29,7	30,1	0,2119	700	32	267	31,3	31,7	0,2306			710	37	272	31,6	32,0	0,2344	750	57	292	32,8			34,9	0,2494	800	82	317	34,4	36,5	0,2681			BF	M3	200	-	17	16,2			16,3	0,0489			225	-			29	17,3	17,4	0,0595	250	-			42	18,2			18,3	0,0701	280	-	57	19,2	19,3	0,0829	300	-			67	20,3	20,4	0,0914	BFL	M1	315	-	74	20,8					20,9	0,0978	355	-					94	22,4	22,5	0,1148	400	-					117	23,9	24,0	0,1339	450	-	142	25,6			26,0	0,1551			BFN	M2	200	-							17	18,7			18,8	0,0615	225	-			29	19,9			20,0	0,0749	250	-	42	20,9			21,0	0,0883			280	-	57	22,2	22,3	0,1043					300	-	67	23,2			23,3	0,1150			315	-	74	23,8	23,9	0,1231																																																																																																																																																																																																																
300	-	67	18,9	19,0	0,0806	315	-	74	19,4			19,5	0,0863	355	-	94	20,9		21,0	0,1013	400	-		117	22,4	22,5	0,1181	450	-	142	23,9		24,0	0,1369		500	-	167	25,5	25,9	0,1556	BFN	M2		550	-		192	26,6			27,0	0,1744	560	-					197	26,9	27,3	0,1781			600	-	217	28,2			28,6	0,1931	630	-	232	29,1			29,5	0,2044	650	7	242	29,7	30,1	0,2119	700	32	267			31,3	31,7	0,2306	710	37	272	31,6	32,0	0,2344			750	57	292	32,8	34,9	0,2494	800	82	317	34,4			36,5	0,2681	BF	M3	200	-	17	16,2					16,3	0,0489	225	-			29	17,3			17,4	0,0595			250	-	42	18,2	18,3	0,0701	280	-	57	19,2			19,3	0,0829	300	-	67	20,3	20,4	0,0914	BFL	M1			315	-	74	20,8			20,9	0,0978	355	-					94	22,4	22,5	0,1148					400	-	117	23,9	24,0	0,1339					450	-	142	25,6	26,0	0,1551	BFN	M2			200	-					17	18,7					18,8	0,0615	225	-			29	19,9	20,0	0,0749			250	-			42	20,9	21,0	0,0883	280	-			57	22,2			22,3	0,1043	300	-	67	23,2					23,3	0,1150	315	-	74	23,8	23,9	0,1231																																																																																																																																																																																																																								
315	-	74	19,4	19,5	0,0863	355	-	94	20,9			21,0	0,1013	400	-	117	22,4		22,5	0,1181	450	-		142	23,9	24,0	0,1369	500	-	167	25,5		25,9	0,1556		BFN	M2	550	-	192	26,6				27,0	0,1744		560	-			197	26,9	27,3	0,1781					600	-	217	28,2			28,6	0,1931	630	-	232	29,1	29,5	0,2044	650	7	242	29,7			30,1	0,2119	700	32	267	31,3	31,7	0,2306	710	37	272			31,6	32,0	0,2344	750	57	292	32,8	34,9	0,2494			800	82	317	34,4	36,5	0,2681	BF	M3	200	-			17	16,2			16,3	0,0489	225	-					29	17,3	17,4	0,0595			250	-	42	18,2	18,3	0,0701			280	-	57	19,2	19,3	0,0829	300	-	67	20,3			20,4	0,0914	BFL	M1	315	-	74	20,8					20,9	0,0978	355	-			94	22,4	22,5	0,1148					400	-	117	23,9					24,0	0,1339	450	-	142	25,6					26,0	0,1551	BFN	M2	200	-					17	18,7	18,8	0,0615			225	-					29	19,9	20,0	0,0749			250	-	42	20,9			21,0	0,0883			280	-	57	22,2	22,3	0,1043			300	-			67	23,2	23,3	0,1150	315	-	74	23,8			23,9	0,1231																																																																																																																																																																																																																														
355	-	94	20,9	21,0	0,1013	400	-	117	22,4			22,5	0,1181	450	-	142	23,9		24,0	0,1369	500	-		167	25,5	25,9	0,1556	BFN	M2	550	-		192	26,6				27,0	0,1744	560	-				197	26,9		27,3	0,1781			600	-	217	28,2			28,6	0,1931	630	-	232	29,1			29,5	0,2044	650	7	242	29,7	30,1	0,2119	700	32	267	31,3			31,7	0,2306	710	37	272	31,6	32,0	0,2344	750	57	292			32,8	34,9	0,2494	800	82	317	34,4	36,5	0,2681			BF	M3	200	-	17	16,2			16,3	0,0489			225	-			29	17,3	17,4	0,0595	250	-			42	18,2	18,3	0,0701			280	-	57	19,2	19,3	0,0829			300	-	67	20,3	20,4	0,0914	BFL	M1	315	-			74	20,8			20,9	0,0978	355	-					94	22,4	22,5	0,1148			400	-	117	23,9					24,0	0,1339	450	-					142	25,6	26,0	0,1551	BFN	M2			200	-	17	18,7			18,8	0,0615					225	-	29	19,9			20,0	0,0749					250	-	42	20,9			21,0	0,0883	280	-			57	22,2			22,3	0,1043	300	-	67	23,2	23,3	0,1150	315	-			74	23,8	23,9	0,1231																																																																																																																																																																																																																																						
400	-	117	22,4	22,5	0,1181	450	-	142	23,9			24,0	0,1369	500	-	167	25,5		25,9	0,1556	BFN	M2		550	-	192	26,6			27,0	0,1744		560	-				197	26,9	27,3	0,1781			600	-	217	28,2	28,6	0,1931			630	-	232	29,1			29,5	0,2044	650	7	242	29,7			30,1	0,2119	700	32	267	31,3	31,7	0,2306	710	37	272	31,6			32,0	0,2344	750	57	292	32,8	34,9	0,2494	800	82	317			34,4	36,5	0,2681	BF	M3	200	-	17	16,2					16,3	0,0489	225	-			29	17,3	17,4	0,0595	250	-			42	18,2	18,3	0,0701	280	-			57	19,2	19,3	0,0829			300	-	67	20,3	20,4	0,0914			BFL	M1	315	-	74	20,8			20,9	0,0978			355	-			94	22,4	22,5	0,1148					400	-	117	23,9			24,0	0,1339	450	-					142	25,6	26,0	0,1551			BFN	M2	200	-	17	18,7					18,8	0,0615	225	-			29	19,9					20,0	0,0749	250	-			42	20,9					21,0	0,0883	280	-			57	22,2	22,3	0,1043	300	-	67	23,2			23,3	0,1150	315	-	74	23,8	23,9	0,1231																																																																																																																																																																																																																																														
450	-	142	23,9	24,0	0,1369	500	-	167	25,5			25,9	0,1556	BFN	M2	550	-		192	26,6				27,0	0,1744	560	-			197	26,9	27,3	0,1781	600	-			217	28,2	28,6	0,1931			630	-	232	29,1	29,5	0,2044			650	7	242	29,7			30,1	0,2119	700	32	267	31,3			31,7	0,2306	710	37	272	31,6	32,0	0,2344	750	57	292	32,8			34,9	0,2494	800	82	317	34,4	36,5	0,2681	BF	M3	200			-	17	16,2			16,3	0,0489	225	-	29	17,3			17,4	0,0595	250	-			42	18,2	18,3	0,0701	280	-			57	19,2	19,3	0,0829	300	-			67	20,3	20,4	0,0914			BFL	M1	315	-	74	20,8					20,9	0,0978	355	-			94	22,4			22,5	0,1148			400	-	117	23,9					24,0	0,1339	450	-			142	25,6	26,0	0,1551	BFN	M2			200	-	17	18,7					18,8	0,0615	225	-					29	19,9	20,0	0,0749			250	-					42	20,9	21,0	0,0883			280	-			57	22,2	22,3	0,1043	300	-			67	23,2	23,3	0,1150	315	-	74	23,8			23,9	0,1231																																																																																																																																																																																																																																																				
500	-	167	25,5	25,9	0,1556	BFN	M2	550	-			192	26,6			27,0	0,1744	560	-	197			26,9	27,3	0,1781	600	-			217	28,2	28,6	0,1931	630	-			232	29,1	29,5	0,2044			650	7	242	29,7	30,1	0,2119			700	32	267	31,3			31,7	0,2306	710	37	272	31,6			32,0	0,2344	750	57	292	32,8	34,9	0,2494	800	82	317	34,4			36,5	0,2681	BF	M3	200	-	17	16,2			16,3	0,0489	225	-	29	17,3			17,4	0,0595	250	-	42	18,2			18,3	0,0701	280	-			57	19,2	19,3	0,0829	300	-			67	20,3	20,4	0,0914	BFL	M1			315	-	74	20,8					20,9	0,0978	355	-					94	22,4	22,5	0,1148			400	-			117	23,9			24,0	0,1339	450	-			142	25,6	26,0	0,1551	BFN	M2			200	-	17	18,7					18,8	0,0615	225	-					29	19,9	20,0	0,0749					250	-	42	20,9			21,0	0,0883			280	-	57	22,2	22,3	0,1043			300	-			67	23,2	23,3	0,1150	315	-			74	23,8	23,9	0,1231																																																																																																																																																																																																																																																												
550	-	192	26,6	27,0	0,1744			560	-	197	26,9	27,3	0,1781			600	-	217	28,2	28,6			0,1931	630	-	232	29,1			29,5	0,2044	650	7	242	29,7			30,1	0,2119	700	32			267	31,3	31,7	0,2306	710	37			272	31,6	32,0	0,2344			750	57	292	32,8	34,9	0,2494			800	82	317	34,4	36,5	0,2681	BF	M3	200	-	17	16,2	16,3	0,0489	225	-			29	17,3	17,4	0,0595			250	-	42	18,2	18,3	0,0701			280	-	57	19,2	19,3	0,0829			300	-	67	20,3			20,4	0,0914	BFL	M1	315	-			74	20,8	20,9	0,0978					355	-	94	22,4					22,5	0,1148	400	-					117	23,9	24,0	0,1339			450	-	142	25,6	26,0	0,1551			BFN	M2	200	-			17	18,7	18,8	0,0615					225	-	29	19,9					20,0	0,0749	250	-					42	20,9	21,0	0,0883			280	-	57	22,2	22,3	0,1043			300	-			67	23,2	23,3	0,1150	315	-			74	23,8			23,9	0,1231																																																																																																																																																																																																																																																																						
560	-	197	26,9	27,3	0,1781			600	-	217	28,2	28,6	0,1931			630	-	232	29,1	29,5			0,2044	650	7	242	29,7			30,1	0,2119	700	32	267	31,3			31,7	0,2306	710	37			272	31,6	32,0	0,2344	750	57			292	32,8	34,9	0,2494			800	82	317	34,4	36,5	0,2681	BF	M3	200	-	17	16,2	16,3	0,0489			225	-	29	17,3	17,4	0,0595	250	-			42	18,2	18,3	0,0701			280	-	57	19,2	19,3	0,0829			300	-	67	20,3	20,4	0,0914			BFL	M1	315	-			74	20,8			20,9	0,0978			355	-	94	22,4					22,5	0,1148	400	-					117	23,9	24,0	0,1339	450	-			142	25,6	26,0	0,1551			BFN	M2	200	-	17	18,7					18,8	0,0615			225	-	29	19,9					20,0	0,0749	250	-					42	20,9	21,0	0,0883	280	-			57	22,2	22,3	0,1043			300	-	67	23,2	23,3	0,1150			315	-			74	23,8	23,9	0,1231																																																																																																																																																																																																																																																																																
600	-	217	28,2	28,6	0,1931			630	-	232	29,1	29,5	0,2044			650	7	242	29,7	30,1			0,2119	700	32	267	31,3			31,7	0,2306	710	37	272	31,6			32,0	0,2344	750	57			292	32,8	34,9	0,2494	800	82			317	34,4	36,5	0,2681	BF	M3	200	-	17	16,2	16,3	0,0489			225	-	29	17,3	17,4	0,0595			250	-	42	18,2	18,3	0,0701	280	-			57	19,2	19,3	0,0829			300	-	67	20,3	20,4	0,0914			BFL	M1	315	-	74	20,8					20,9	0,0978			355	-			94	22,4			22,5	0,1148	400	-					117	23,9	24,0	0,1339	450	-			142	25,6	26,0	0,1551	BFN	M2			200	-	17	18,7					18,8	0,0615	225	-					29	19,9			20,0	0,0749	250	-					42	20,9	21,0	0,0883			280	-	57	22,2	22,3	0,1043	300	-			67	23,2	23,3	0,1150			315	-	74	23,8	23,9	0,1231																																																																																																																																																																																																																																																																																										
630	-	232	29,1	29,5	0,2044			650	7	242	29,7	30,1	0,2119			700	32	267	31,3	31,7			0,2306	710	37	272	31,6			32,0	0,2344	750	57	292	32,8			34,9	0,2494	800	82			317	34,4	36,5	0,2681	BF	M3	200	-	17	16,2	16,3	0,0489			225	-	29	17,3	17,4	0,0595			250	-	42	18,2	18,3	0,0701			280	-	57	19,2	19,3	0,0829	300	-			67	20,3	20,4	0,0914			BFL	M1	315	-	74	20,8					20,9	0,0978	355	-					94	22,4			22,5	0,1148			400	-			117	23,9	24,0	0,1339			450	-	142	25,6	26,0	0,1551	BFN	M2			200	-	17	18,7					18,8	0,0615	225	-					29	19,9	20,0	0,0749					250	-			42	20,9	21,0	0,0883			280	-	57	22,2	22,3	0,1043			300	-	67	23,2	23,3	0,1150	315	-			74	23,8	23,9	0,1231																																																																																																																																																																																																																																																																																																		
650	7	242	29,7	30,1	0,2119			700	32	267	31,3	31,7	0,2306			710	37	272	31,6	32,0			0,2344	750	57	292	32,8			34,9	0,2494	800	82	317	34,4			36,5	0,2681	BF	M3	200	-	17	16,2	16,3	0,0489			225	-	29	17,3	17,4	0,0595			250	-	42	18,2	18,3	0,0701			280	-	57	19,2	19,3	0,0829			300	-	67	20,3	20,4	0,0914	BFL	M1			315	-	74	20,8					20,9	0,0978	355	-					94	22,4	22,5	0,1148					400	-			117	23,9			24,0	0,1339	450	-	142	25,6	26,0	0,1551			BFN	M2	200	-	17	18,7					18,8	0,0615	225	-					29	19,9	20,0	0,0749					250	-	42	20,9					21,0	0,0883	280	-	57	22,2	22,3	0,1043			300	-	67	23,2	23,3	0,1150			315	-	74	23,8	23,9	0,1231																																																																																																																																																																																																																																																																																																										
700	32	267	31,3	31,7	0,2306			710	37	272	31,6	32,0	0,2344			750	57	292	32,8	34,9			0,2494	800	82	317	34,4			36,5	0,2681	BF	M3	200	-	17	16,2	16,3	0,0489			225	-	29	17,3	17,4	0,0595			250	-	42	18,2	18,3	0,0701			280	-	57	19,2	19,3	0,0829			300	-	67	20,3	20,4	0,0914			BFL	M1	315	-	74	20,8					20,9	0,0978	355	-					94	22,4	22,5	0,1148					400	-	117	23,9					24,0	0,1339	450	-	142	25,6			26,0	0,1551	BFN	M2	200	-	17	18,7					18,8	0,0615	225	-					29	19,9	20,0	0,0749					250	-	42	20,9					21,0	0,0883	280	-	57	22,2			22,3	0,1043	300	-	67	23,2	23,3	0,1150			315	-	74	23,8	23,9	0,1231																																																																																																																																																																																																																																																																																																																		
710	37	272	31,6	32,0	0,2344			750	57	292	32,8	34,9	0,2494			800	82	317	34,4	36,5			0,2681	BF	M3	200	-	17	16,2	16,3	0,0489			225	-	29	17,3	17,4	0,0595			250	-	42	18,2	18,3	0,0701			280	-	57	19,2	19,3	0,0829			300	-	67	20,3	20,4	0,0914			BFL	M1	315	-	74	20,8					20,9	0,0978	355	-					94	22,4	22,5	0,1148					400	-	117	23,9					24,0	0,1339	450	-	142	25,6			26,0	0,1551	BFN	M2	200	-			17	18,7			18,8	0,0615	225	-					29	19,9	20,0	0,0749					250	-	42	20,9					21,0	0,0883	280	-	57	22,2			22,3	0,1043	300	-	67	23,2			23,3	0,1150	315	-	74	23,8	23,9	0,1231																																																																																																																																																																																																																																																																																																																										
750	57	292	32,8	34,9	0,2494			800	82	317	34,4	36,5	0,2681			BF	M3	200	-	17	16,2	16,3	0,0489			225	-	29	17,3	17,4	0,0595			250	-	42	18,2	18,3	0,0701			280	-	57	19,2	19,3	0,0829			300	-	67	20,3	20,4	0,0914			BFL	M1	315	-	74	20,8					20,9	0,0978	355	-					94	22,4	22,5	0,1148					400	-	117	23,9					24,0	0,1339	450	-	142	25,6			26,0	0,1551	BFN	M2	200	-			17	18,7			18,8	0,0615			225	-			29	19,9	20,0	0,0749					250	-	42	20,9					21,0	0,0883	280	-			57	22,2	22,3	0,1043	300	-	67	23,2			23,3	0,1150	315	-	74	23,8			23,9	0,1231																																																																																																																																																																																																																																																																																																																																
800	82	317	34,4	36,5	0,2681			BF	M3	200	-	17	16,2	16,3	0,0489			225	-	29	17,3	17,4	0,0595			250	-	42	18,2	18,3	0,0701			280	-	57	19,2	19,3	0,0829			300	-	67	20,3	20,4	0,0914			BFL	M1	315	-	74	20,8					20,9	0,0978	355	-					94	22,4	22,5	0,1148					400	-	117	23,9					24,0	0,1339	450	-	142	25,6			26,0	0,1551	BFN	M2	200	-			17	18,7			18,8	0,0615			225	-			29	19,9			20,0	0,0749			250	-	42	20,9					21,0	0,0883	280	-			57	22,2	22,3	0,1043	300	-			67	23,2	23,3	0,1150	315	-	74	23,8			23,9	0,1231																																																																																																																																																																																																																																																																																																																																								
200	-	17	16,2	16,3	0,0489	225	-			29	17,3	17,4	0,0595	250	-			42	18,2	18,3	0,0701	280	-			57	19,2	19,3	0,0829	300	-			67	20,3	20,4	0,0914	BFL	M1			315	-	74	20,8	20,9	0,0978					355	-	94	22,4					22,5	0,1148	400	-					117	23,9	24,0	0,1339					450	-	142	25,6			26,0	0,1551	BFN	M2	200	-	17	18,7			18,8	0,0615			225	-			29	19,9			20,0	0,0749			250	-			42	20,9			21,0	0,0883			280	-	57	22,2	22,3	0,1043			300	-	67	23,2			23,3	0,1150	315	-	74	23,8			23,9	0,1231																																																																																																																																																																																																																																																																																																																																																		
225	-	29	17,3	17,4	0,0595	250	-			42	18,2	18,3	0,0701	280	-			57	19,2	19,3	0,0829	300	-			67	20,3	20,4	0,0914	BFL	M1			315	-	74	20,8					20,9	0,0978	355	-	94	22,4					22,5	0,1148	400	-					117	23,9	24,0	0,1339					450	-	142	25,6	26,0	0,1551			BFN	M2	200	-			17	18,7			18,8	0,0615	225	-			29	19,9			20,0	0,0749			250	-			42	20,9			21,0	0,0883			280	-	57	22,2	22,3	0,1043			300	-	67	23,2	23,3	0,1150			315	-	74	23,8			23,9	0,1231																																																																																																																																																																																																																																																																																																																																																										
250	-	42	18,2	18,3	0,0701	280	-			57	19,2	19,3	0,0829	300	-			67	20,3	20,4	0,0914	BFL	M1			315	-	74	20,8					20,9	0,0978	355	-					94	22,4	22,5	0,1148	400	-					117	23,9	24,0	0,1339					450	-	142	25,6	26,0	0,1551			BFN	M2	200	-	17	18,7					18,8	0,0615			225	-			29	19,9	20,0	0,0749			250	-			42	20,9			21,0	0,0883			280	-	57	22,2	22,3	0,1043			300	-	67	23,2	23,3	0,1150			315	-	74	23,8	23,9	0,1231																																																																																																																																																																																																																																																																																																																																																																				
280	-	57	19,2	19,3	0,0829	300	-			67	20,3	20,4	0,0914	BFL	M1			315	-	74	20,8					20,9	0,0978	355	-					94	22,4	22,5	0,1148					400	-	117	23,9	24,0	0,1339					450	-	142	25,6	26,0	0,1551			BFN	M2	200	-	17	18,7					18,8	0,0615	225	-					29	19,9			20,0	0,0749			250	-	42	20,9			21,0	0,0883			280	-	57	22,2	22,3	0,1043			300	-	67	23,2	23,3	0,1150			315	-	74	23,8	23,9	0,1231																																																																																																																																																																																																																																																																																																																																																																												
300	-	67	20,3	20,4	0,0914	BFL	M1			315	-	74	20,8					20,9	0,0978	355	-					94	22,4	22,5	0,1148					400	-	117	23,9					24,0	0,1339	450	-	142	25,6	26,0	0,1551			BFN	M2	200	-	17	18,7					18,8	0,0615	225	-					29	19,9	20,0	0,0749					250	-			42	20,9			21,0	0,0883	280	-	57	22,2	22,3	0,1043			300	-	67	23,2	23,3	0,1150			315	-	74	23,8	23,9	0,1231																																																																																																																																																																																																																																																																																																																																																																																				
315	-	74	20,8	20,9	0,0978					355	-	94	22,4					22,5	0,1148	400	-					117	23,9	24,0	0,1339					450	-	142	25,6			26,0	0,1551	BFN	M2	200	-	17	18,7	18,8	0,0615					225	-	29	19,9					20,0	0,0749	250	-					42	20,9	21,0	0,0883					280	-	57	22,2	22,3	0,1043			300	-	67	23,2	23,3	0,1150	315	-			74	23,8	23,9	0,1231																																																																																																																																																																																																																																																																																																																																																																																														
355	-	94	22,4	22,5	0,1148					400	-	117	23,9					24,0	0,1339	450	-					142	25,6	26,0	0,1551			BFN	M2	200	-	17	18,7			18,8	0,0615			225	-	29	19,9	20,0	0,0749					250	-	42	20,9					21,0	0,0883	280	-					57	22,2	22,3	0,1043	300	-			67	23,2	23,3	0,1150	315	-			74	23,8	23,9	0,1231																																																																																																																																																																																																																																																																																																																																																																																																								
400	-	117	23,9	24,0	0,1339					450	-	142	25,6					26,0	0,1551	BFN	M2			200	-	17	18,7	18,8	0,0615					225	-	29	19,9			20,0	0,0749			250	-	42	20,9	21,0	0,0883					280	-	57	22,2					22,3	0,1043	300	-	67	23,2			23,3	0,1150	315	-	74	23,8			23,9	0,1231																																																																																																																																																																																																																																																																																																																																																																																																																		
450	-	142	25,6	26,0	0,1551					BFN	M2	200	-			17	18,7	18,8	0,0615					225	-	29	19,9	20,0	0,0749					250	-	42	20,9			21,0	0,0883			280	-	57	22,2	22,3	0,1043					300	-	67	23,2	23,3	0,1150			315	-	74	23,8	23,9	0,1231																																																																																																																																																																																																																																																																																																																																																																																																																														
200	-	17	18,7	18,8	0,0615			225	-			29	19,9			20,0	0,0749	250	-					42	20,9	21,0	0,0883	280	-					57	22,2	22,3	0,1043			300	-			67	23,2	23,3	0,1150	315	-	74	23,8			23,9	0,1231																																																																																																																																																																																																																																																																																																																																																																																																																																										
225	-	29	19,9	20,0	0,0749			250	-			42	20,9			21,0	0,0883	280	-					57	22,2	22,3	0,1043	300	-					67	23,2	23,3	0,1150	315	-	74	23,8			23,9	0,1231																																																																																																																																																																																																																																																																																																																																																																																																																																																				
250	-	42	20,9	21,0	0,0883			280	-			57	22,2			22,3	0,1043	300	-					67	23,2	23,3	0,1150	315	-	74	23,8			23,9	0,1231																																																																																																																																																																																																																																																																																																																																																																																																																																																														
280	-	57	22,2	22,3	0,1043			300	-			67	23,2			23,3	0,1150	315	-			74	23,8	23,9	0,1231																																																																																																																																																																																																																																																																																																																																																																																																																																																																								
300	-	67	23,2	23,3	0,1150			315	-			74	23,8	23,9	0,1231																																																																																																																																																																																																																																																																																																																																																																																																																																																																																		
315	-	74	23,8	23,9	0,1231																																																																																																																																																																																																																																																																																																																																																																																																																																																																																												

Sizes in increments of 5 mm can be manufactured on request.

* For designs with BKN a weight of 0.5 kg must be added.

A x B [mm]	Damper blades overlaps		Weight		Effective area Sef [m ²]	Spring return actuator	Manual control	A x B [mm]	Damper blades overlaps		Weight		Effective area Sef [m ²]	Spring return actuator	Manual control				
	a [mm]	c [mm]	Man. [kg]	Actu. [kg]*					a [mm]	c [mm]	Man. [kg]	Actu. [kg]*							
560 x	-	94	25,6	25,7	0,1445	BFL	M1	650 x	-	57	24,2	24,3	0,1219	BFL	M1				
	-	117	27,4	27,8	0,1685	BFN	M2		-	67	25,2	25,3	0,1344						
	-	142	29,3	29,7	0,1953				-	74	25,9	26,0	0,1438						
	-	167	31,5	31,9	0,2220				-	94	27,8	27,9	0,1688						
	-	192	33,0	33,4	0,2488				-	117	29,7	30,1	0,1969						
	-	197	33,4	33,8	0,2541				-	142	31,7	32,1	0,2281						
	-	217	35,0	35,4	0,2755				-	167	34,1	34,5	0,2594						
	-	232	36,2	38,3	0,2916				-	192	35,7	36,1	0,2906						
	7	242	37,0	39,1	0,3023				-	197	36,1	38,2	0,2969						
	32	267	38,9	41,0	0,3290				-	217	37,8	39,9	0,3219						
	37	272	39,3	41,4	0,3344				-	232	39,1	41,2	0,3406						
	57	292	40,9	43,0	0,3558				-	242	39,9	42,0	0,3531						
	82	317	42,9	45,0	0,3825				-	267	42,0	44,1	0,3844						
	600 x	-	17	19,3	19,4				0,0661	BFL	M1	-	17			21,5	21,6	0,0776	BFL
-		29	20,5	20,6	0,0805			-	29			22,8	22,9	0,0945					
-		42	21,6	21,7	0,0949	-	42	24,0	24,1			0,1114							
-		57	22,9	23,0	0,1121	-	57	25,4	25,5			0,1316							
-		67	23,9	24,0	0,1236	-	67	26,5	26,6			0,1451							
-		74	24,5	24,6	0,1323	-	74	27,2	27,3			0,1553							
-		94	26,3	26,4	0,1553	-	94	29,2	29,6			0,1823							
-		117	28,1	28,5	0,1811	-	117	31,2	31,6			0,2126							
-		142	30,1	30,5	0,2099	-	142	33,3	33,7			0,2464							
-		167	32,3	32,7	0,2386	-	167	35,8	36,2			0,2801							
-		192	33,8	34,2	0,2674	-	192	37,5	39,6			0,3139							
-		197	34,2	34,6	0,2731	-	197	38,0	40,1			0,3206							
-		217	35,9	38,0	0,2961	-	217	39,7	41,8			0,3476							
-		232	37,1	39,2	0,3134	-	232	41,1	43,2			0,3679							
630 x	7	242	37,8	39,9	0,3249	BF	M3	7	242	41,9	44,0	0,3814	BF	M3					
	32	267	39,8	41,9	0,3536			32	267	44,1	46,2	0,4151							
	37	272	40,2	42,3	0,3594			37	272	44,6	46,7	0,4219							
	57	292	41,8	43,9	0,3824			57	292	46,3	48,4	0,4489							
	82	317	43,8	45,9	0,4111			82	317	48,5	50,6	0,4826							
	650 x	-	17	20,0	20,1			0,0696	BFL	M1	-	17			21,7	21,8	0,0788	BFL	M1
		-	29	21,2	21,3			0,0847			-	29			23,0	23,1	0,0959		
		-	42	22,3	22,4			0,0998			-	42			24,3	24,4	0,1130		
		-	57	23,6	23,7			0,1180			-	57			25,7	25,8	0,1336		
		-	67	24,7	24,8			0,1301			-	67			26,8	26,9	0,1473		
		-	74	25,3	25,4			0,1392			-	74			27,5	27,6	0,1576		
		-	94	27,2	27,3			0,1634			-	94			29,5	29,9	0,1850		
		-	117	29,0	29,4			0,1906			-	117			31,5	31,9	0,2158		
		-	142	31,1	31,5			0,2208			-	142			33,7	34,1	0,2500		
-		167	33,4	33,8	0,2511	-	167	36,1			36,5	0,2843							
-		192	34,9	35,3	0,2813	-	192	37,9			40,0	0,3185							
-		197	35,4	35,8	0,2874	-	197	38,3			40,4	0,3254							
-		217	37,0	39,1	0,3116	-	217	40,1			42,2	0,3528							
-		232	38,3	40,4	0,3297	-	232	41,5			43,6	0,3733							
650 x	7	242	39,1	41,2	0,3418	BF	M3	7	242	42,3	44,4	0,3870	BF	M3					
	32	267	41,1	43,2	0,3721			32	267	44,6	46,7	0,4213							
	37	272	41,5	43,6	0,3781			37	272	45,0	47,1	0,4281							
	57	292	43,2	45,3	0,4023			57	292	46,8	48,9	0,4555							
	82	317	45,2	47,3	0,4326			82	317	49,0	51,1	0,4898							
	650 x	-	17	20,4	20,5			0,0719	BFL	M1	-	17			21,7	21,8	0,0788	BFL	M1
		-	29	21,7	21,8			0,0875			-	29			23,0	23,1	0,0959		
		-	42	22,8	22,9			0,1031			-	42			24,3	24,4	0,1130		
		-	57	23,6	23,7			0,1180			-	57			25,7	25,8	0,1336		
		-	67	24,7	24,8			0,1301			-	67			26,8	26,9	0,1473		
		-	74	25,3	25,4			0,1392			-	74			27,5	27,6	0,1576		
		-	94	27,2	27,3			0,1634			-	94			29,5	29,9	0,1850		
		-	117	29,0	29,4			0,1906			-	117			31,5	31,9	0,2158		
		-	142	31,1	31,5			0,2208			-	142			33,7	34,1	0,2500		
-		167	33,4	33,8	0,2511	-	167	36,1			36,5	0,2843							
-		192	34,9	35,3	0,2813	-	192	37,9			40,0	0,3185							
-		197	35,4	35,8	0,2874	-	197	38,3			40,4	0,3254							
-		217	37,0	39,1	0,3116	-	217	40,1			42,2	0,3528							
-		232	38,3	40,4	0,3297	-	232	41,5			43,6	0,3733							

Sizes in increments of 5 mm can be manufactured on request.

* For designs with BKN a weight of 0.5 kg must be added.

A x B [mm]	Damper blades overlaps		Weight		Effective area Sef [m ²]	Spring return actuator	Manual control	A x B [mm]	Damper blades overlaps		Weight		Effective area Sef [m ²]	Spring return actuator	Manual control																																																																																																																																																																																																																																																																																																																																																																																																																																																																																																																																										
	a [mm]	c [mm]	Man. [kg]	Actu. [kg]*					a [mm]	c [mm]	Man. [kg]	Actu. [kg]*																																																																																																																																																																																																																																																																																																																																																																																																																																																																																																																																													
750 x	200	-	17	22,5	22,6	0,0834	BFL	900 x	710	37	272	53,3	55,4	0,5469	BF	M3																																																																																																																																																																																																																																																																																																																																																																																																																																																																																																																																									
	225	-	29	24,0	24,1	0,1015			250	-	42	25,2	25,3	0,1196			280	-	57	26,7	26,8	0,1414	300	-	67	27,9	28,0	0,1559	315	-	74	28,5	28,6	0,1668	BFL	355	-	94	30,6	31,0	0,1958	400	-	117	32,7	33,1	0,2284	450	-	142	35,0	35,4	0,2646	500	-	167	37,5	37,9	0,3009	550	-	192	39,4	41,5	0,3371	560	-	197	39,8	41,9	0,3444	BFN	600	-	217	41,7	43,8	0,3734	630	-	232	43,1	45,2	0,3951	650	7	242	44,0	46,1	0,4096	700	32	267	46,3	48,4	0,4459	710	37	272	46,8	48,9	0,4531	750	57	292	48,6	50,7	0,4821	BF	800	82	317	50,9	53,0	0,5184	200	-	17	23,6	23,7	0,0891	225	-	29	25,1	25,2	0,1085	250	-	42	26,4	26,5	0,1279	280	-	57	28,0	28,1	0,1511	300	-	67	29,2	29,3	0,1666	800 x	315	-	74	29,9	30,0	0,1783	355	-	94	32,1	32,5	0,2093	400	-	117	34,2	34,6	0,2441	450	-	142	36,6	37,0	0,2829	500	-	167	39,2	39,6	0,3216	550	-	192	41,2	43,3	0,3604	560	-	197	41,7	43,8	0,3681	600	-	217	43,6	45,7	0,3991	630	-	232	45,1	47,2	0,4224	650	7	242	46,0	48,1	0,4379	700	32	267	48,4	50,5	0,4766	710	37	272	48,9	51,0	0,4844	750	57	292	50,9	53,0	0,5154	800	82	317	53,3	55,4	0,5541	900 x	200	-	17	25,8	25,9	0,1006	225	-	29	27,4	27,5	0,1225	250	-	42	28,9	29,0	0,1444	280	-	57	30,6	30,7	0,1706	300	-	67	31,8	31,9	0,1881	315	-	74	32,6	33,0	0,2013	355	-	94	34,9	35,3	0,2363	400	-	117	37,2	37,6	0,2756	450	-	142	39,8	40,2	0,3194	500	-	167	42,7	44,8	0,3631	550	-	192	44,9	47,0	0,4069	560	-	197	45,4	47,5	0,4156	600	-	217	47,5	49,6	0,4506	630	-	232	49,1	51,2	0,4769	650	7	242	50,1	52,2	0,4944	700	32	267	52,7	54,8	0,5381	710	37	272	53,1	55,2	0,5314	750	57	292	55,9	59,1	0,5996	800	82	317	62,7	64,8	0,6971	200	-	17	30,1	30,2	0,1236	225	-	29	32,0	32,1	0,1505	250	-	42	33,7	33,8	0,1774	280	-	57	35,8	35,9	0,2096	300	-	67	37,0	37,4	0,2311	315	-	74	38,0	38,4	0,2473	355	-	94	40,6	41,0	0,2903	400	-	117	43,3	43,7	0,3386	450	-	142	46,4	48,5	0,3924	500	-	167	49,7	51,8	0,4461	550	-	192	52,2	54,3	0,4999	560	-	197	52,8	54,9	0,5106	600	-	217	55,3	57,4	0,5536	630	-	232	57,1	59,2	0,5859	650	7	242	58,3	60,4	0,6074	700	32	267	61,4	63,5	0,6611	710	37	272	62,0	64,1	0,6719	750	57	292	64,4	66,5	0,7149	800	82	317	67,5	69,6	0,7686	200	-	17	33,1	33,2	0,1409	225	-	29	35,1	35,2	0,1715	250	-	42	37,0	37,4	0,2021	280	-	57	39,3	39,7	0,2389	300	-	67	40,5	40,9	0,2634	315	-	74	41,5	41,9	0,2818	355	-	94	44,3	44,7	0,3308	400	-	117	47,3	47,7	0,3859	450	-	142	50,5	52,6	0,4471	500	-	167	54,1	56,2	0,5084	550	-	192	56,9	59,0	0,5696	560	-	197	57,5	59,6	0,5819	600	-	217	60,2	62,3	0,6309
	250	-	42	25,2	25,3	0,1196			280	-	57	26,7	26,8	0,1414			300	-	67	27,9	28,0	0,1559	315	-	74	28,5	28,6	0,1668	BFL	355	-	94	30,6	31,0		0,1958	400	-	117	32,7	33,1	0,2284	450	-	142	35,0	35,4	0,2646	500	-	167	37,5	37,9	0,3009	550	-	192	39,4	41,5	0,3371	560	-	197	39,8	41,9	0,3444	BFN	600	-	217	41,7		43,8	0,3734	630	-	232	43,1	45,2	0,3951	650	7	242	44,0	46,1	0,4096	700	32	267	46,3	48,4	0,4459	710	37	272	46,8	48,9	0,4531	750	57	292	48,6	50,7	0,4821	BF	800	82	317		50,9	53,0	0,5184	200	-	17	23,6	23,7	0,0891	225	-	29	25,1	25,2	0,1085	250	-	42	26,4	26,5	0,1279	280	-	57	28,0	28,1	0,1511	300	-	67	29,2	29,3	0,1666	800 x	315	-		74	29,9	30,0	0,1783	355	-	94	32,1	32,5	0,2093	400	-	117	34,2	34,6	0,2441	450	-	142	36,6	37,0	0,2829	500	-	167	39,2	39,6	0,3216	550	-	192	41,2	43,3	0,3604	560	-	197	41,7	43,8	0,3681	600	-	217	43,6	45,7	0,3991	630	-	232	45,1	47,2	0,4224	650	7	242	46,0	48,1	0,4379	700	32	267	48,4	50,5	0,4766	710	37	272	48,9	51,0	0,4844	750	57	292	50,9	53,0	0,5154	800	82	317	53,3	55,4	0,5541	900 x	200		-	17	25,8	25,9	0,1006	225	-	29	27,4	27,5	0,1225	250	-	42	28,9	29,0	0,1444	280	-	57	30,6	30,7	0,1706	300	-	67	31,8	31,9	0,1881	315	-	74	32,6	33,0	0,2013	355	-	94	34,9	35,3	0,2363	400	-	117	37,2	37,6	0,2756	450	-	142	39,8	40,2	0,3194	500	-	167	42,7	44,8	0,3631	550	-	192	44,9	47,0	0,4069	560	-	197	45,4	47,5	0,4156	600	-	217	47,5	49,6	0,4506	630	-	232	49,1	51,2	0,4769	650	7	242	50,1	52,2	0,4944	700	32	267	52,7	54,8	0,5381	710	37	272	53,1	55,2	0,5314	750	57	292	55,9	59,1	0,5996	800	82	317	62,7	64,8	0,6971	200	-	17	30,1	30,2	0,1236	225	-	29	32,0	32,1	0,1505	250	-	42	33,7	33,8	0,1774	280	-	57	35,8	35,9	0,2096	300	-	67	37,0	37,4	0,2311	315	-	74	38,0	38,4	0,2473	355	-	94	40,6	41,0	0,2903	400	-	117	43,3	43,7	0,3386	450	-	142	46,4	48,5	0,3924	500	-	167	49,7	51,8	0,4461	550	-	192	52,2	54,3	0,4999	560	-	197	52,8	54,9	0,5106	600	-	217	55,3	57,4	0,5536	630	-	232	57,1	59,2	0,5859	650	7	242	58,3	60,4	0,6074	700	32	267	61,4	63,5	0,6611	710	37	272	62,0	64,1	0,6719	750	57	292	64,4	66,5	0,7149	800	82	317	67,5	69,6	0,7686	200	-	17	33,1	33,2	0,1409	225	-	29	35,1	35,2	0,1715	250	-	42	37,0	37,4	0,2021	280	-	57	39,3	39,7	0,2389	300	-	67	40,5	40,9	0,2634	315	-	74	41,5	41,9	0,2818	355	-	94	44,3	44,7	0,3308	400	-	117	47,3	47,7	0,3859	450	-	142	50,5	52,6	0,4471	500	-	167	54,1	56,2	0,5084	550	-	192	56,9	59,0	0,5696	560	-	197	57,5	59,6	0,5819	600	-	217	60,2	62,3	0,6309	
	280	-	57	26,7	26,8	0,1414			300	-	67	27,9	28,0	0,1559			315	-	74	28,5	28,6	0,1668	BFL	355	-	94	30,6	31,0		0,1958	400	-	117	32,7		33,1	0,2284	450	-	142	35,0	35,4	0,2646	500	-	167	37,5	37,9	0,3009	550	-	192	39,4	41,5	0,3371	560	-	197	39,8	41,9	0,3444	BFN	600	-	217	41,7		43,8	0,3734	630	-		232	43,1	45,2	0,3951	650	7	242	44,0	46,1	0,4096	700	32	267	46,3	48,4	0,4459	710	37	272	46,8	48,9	0,4531	750	57	292	48,6	50,7	0,4821	BF	800	82	317		50,9	53,0	0,5184		200	-	17	23,6	23,7	0,0891	225	-	29	25,1	25,2	0,1085	250	-	42	26,4	26,5	0,1279	280	-	57	28,0	28,1	0,1511	300	-	67	29,2	29,3	0,1666	800 x	315	-		74	29,9		30,0	0,1783	355	-	94	32,1	32,5	0,2093	400	-	117	34,2	34,6	0,2441	450	-	142	36,6	37,0	0,2829	500	-	167	39,2	39,6	0,3216	550	-	192	41,2	43,3	0,3604	560	-	197	41,7	43,8	0,3681	600	-	217	43,6	45,7	0,3991	630	-	232	45,1	47,2	0,4224	650	7	242	46,0	48,1	0,4379	700	32	267	48,4	50,5	0,4766	710	37	272	48,9	51,0	0,4844	750	57	292	50,9	53,0	0,5154	800	82	317	53,3	55,4	0,5541	900 x	200		-		17	25,8	25,9	0,1006	225	-	29	27,4	27,5	0,1225	250	-	42	28,9	29,0	0,1444	280	-	57	30,6	30,7	0,1706	300	-	67	31,8	31,9	0,1881	315	-	74	32,6	33,0	0,2013	355	-	94	34,9	35,3	0,2363	400	-	117	37,2	37,6	0,2756	450	-	142	39,8	40,2	0,3194	500	-	167	42,7	44,8	0,3631	550	-	192	44,9	47,0	0,4069	560	-	197	45,4	47,5	0,4156	600	-	217	47,5	49,6	0,4506	630	-	232	49,1	51,2	0,4769	650	7	242	50,1	52,2	0,4944	700	32	267	52,7	54,8	0,5381	710	37	272	53,1	55,2	0,5314	750	57	292	55,9	59,1	0,5996	800	82	317	62,7	64,8	0,6971	200	-	17	30,1	30,2	0,1236	225	-	29	32,0	32,1	0,1505	250	-	42	33,7	33,8	0,1774	280	-	57	35,8	35,9	0,2096	300	-	67	37,0	37,4	0,2311	315	-	74	38,0	38,4	0,2473	355	-	94	40,6	41,0	0,2903	400	-	117	43,3	43,7	0,3386	450	-	142	46,4	48,5	0,3924	500	-	167	49,7	51,8	0,4461	550	-	192	52,2	54,3	0,4999	560	-	197	52,8	54,9	0,5106	600	-	217	55,3	57,4	0,5536	630	-	232	57,1	59,2	0,5859	650	7	242	58,3	60,4	0,6074	700	32	267	61,4	63,5	0,6611	710	37	272	62,0	64,1	0,6719	750	57	292	64,4	66,5	0,7149	800	82	317	67,5	69,6	0,7686	200	-	17	33,1	33,2	0,1409	225	-	29	35,1	35,2	0,1715	250	-	42	37,0	37,4	0,2021	280	-	57	39,3	39,7	0,2389	300	-	67	40,5	40,9	0,2634	315	-	74	41,5	41,9	0,2818	355	-	94	44,3	44,7	0,3308	400	-	117	47,3	47,7	0,3859	450	-	142	50,5	52,6	0,4471	500	-	167	54,1	56,2	0,5084	550	-	192	56,9	59,0	0,5696	560	-	197	57,5	59,6	0,5819	600	-	217	60,2	62,3	0,6309		
	300	-	67	27,9	28,0	0,1559			315	-	74	28,5	28,6	0,1668			BFL	355	-	94	30,6	31,0		0,1958	400	-	117	32,7		33,1	0,2284	450	-	142		35,0	35,4	0,2646	500	-	167	37,5	37,9	0,3009	550	-	192	39,4	41,5	0,3371	560	-	197	39,8	41,9	0,3444	BFN	600	-	217	41,7		43,8	0,3734	630	-		232	43,1	45,2	0,3951		650	7	242	44,0	46,1	0,4096	700	32	267	46,3	48,4	0,4459	710	37	272	46,8	48,9	0,4531	750	57	292	48,6	50,7	0,4821	BF	800	82	317		50,9	53,0	0,5184		200	-	17		23,6	23,7	0,0891	225	-	29	25,1	25,2	0,1085	250	-	42	26,4	26,5	0,1279	280	-	57	28,0	28,1	0,1511	300	-	67	29,2	29,3	0,1666	800 x	315	-		74	29,9		30,0	0,1783		355	-	94	32,1	32,5	0,2093	400	-	117	34,2	34,6	0,2441	450	-	142	36,6	37,0	0,2829	500	-	167	39,2	39,6	0,3216	550	-	192	41,2	43,3	0,3604	560	-	197	41,7	43,8	0,3681	600	-	217	43,6	45,7	0,3991	630	-	232	45,1	47,2	0,4224	650	7	242	46,0	48,1	0,4379	700	32	267	48,4	50,5	0,4766	710	37	272	48,9	51,0	0,4844	750	57	292	50,9	53,0	0,5154	800	82	317	53,3	55,4	0,5541	900 x	200		-		17		25,8	25,9	0,1006	225	-	29	27,4	27,5	0,1225	250	-	42	28,9	29,0	0,1444	280	-	57	30,6	30,7	0,1706	300	-	67	31,8	31,9	0,1881	315	-	74	32,6	33,0	0,2013	355	-	94	34,9	35,3	0,2363	400	-	117	37,2	37,6	0,2756	450	-	142	39,8	40,2	0,3194	500	-	167	42,7	44,8	0,3631	550	-	192	44,9	47,0	0,4069	560	-	197	45,4	47,5	0,4156	600	-	217	47,5	49,6	0,4506	630	-	232	49,1	51,2	0,4769	650	7	242	50,1	52,2	0,4944	700	32	267	52,7	54,8	0,5381	710	37	272	53,1	55,2	0,5314	750	57	292	55,9	59,1	0,5996	800	82	317	62,7	64,8	0,6971	200	-	17	30,1	30,2	0,1236	225	-	29	32,0	32,1	0,1505	250	-	42	33,7	33,8	0,1774	280	-	57	35,8	35,9	0,2096	300	-	67	37,0	37,4	0,2311	315	-	74	38,0	38,4	0,2473	355	-	94	40,6	41,0	0,2903	400	-	117	43,3	43,7	0,3386	450	-	142	46,4	48,5	0,3924	500	-	167	49,7	51,8	0,4461	550	-	192	52,2	54,3	0,4999	560	-	197	52,8	54,9	0,5106	600	-	217	55,3	57,4	0,5536	630	-	232	57,1	59,2	0,5859	650	7	242	58,3	60,4	0,6074	700	32	267	61,4	63,5	0,6611	710	37	272	62,0	64,1	0,6719	750	57	292	64,4	66,5	0,7149	800	82	317	67,5	69,6	0,7686	200	-	17	33,1	33,2	0,1409	225	-	29	35,1	35,2	0,1715	250	-	42	37,0	37,4	0,2021	280	-	57	39,3	39,7	0,2389	300	-	67	40,5	40,9	0,2634	315	-	74	41,5	41,9	0,2818	355	-	94	44,3	44,7	0,3308	400	-	117	47,3	47,7	0,3859	450	-	142	50,5	52,6	0,4471	500	-	167	54,1	56,2	0,5084	550	-	192	56,9	59,0	0,5696	560	-	197	57,5	59,6	0,5819	600	-	217	60,2	62,3	0,6309			
	315	-	74	28,5	28,6	0,1668			BFL	355	-	94	30,6	31,0				0,1958	400	-	117	32,7		33,1	0,2284	450	-	142		35,0	35,4	0,2646	500	-		167	37,5	37,9	0,3009	550	-	192	39,4	41,5	0,3371	560	-	197	39,8	41,9	0,3444	BFN	600	-	217	41,7		43,8	0,3734	630	-		232	43,1	45,2	0,3951		650	7	242	44,0		46,1	0,4096	700	32	267	46,3	48,4	0,4459	710	37	272	46,8	48,9	0,4531	750	57	292	48,6	50,7	0,4821	BF	800	82	317		50,9	53,0	0,5184		200	-	17		23,6	23,7	0,0891		225	-	29	25,1	25,2	0,1085	250	-	42	26,4	26,5	0,1279	280	-	57	28,0	28,1	0,1511	300	-	67	29,2	29,3	0,1666	800 x	315	-		74	29,9		30,0	0,1783		355	-		94	32,1	32,5	0,2093	400	-	117	34,2	34,6	0,2441	450	-	142	36,6	37,0	0,2829	500	-	167	39,2	39,6	0,3216	550	-	192	41,2	43,3	0,3604	560	-	197	41,7	43,8	0,3681	600	-	217	43,6	45,7	0,3991	630	-	232	45,1	47,2	0,4224	650	7	242	46,0	48,1	0,4379	700	32	267	48,4	50,5	0,4766	710	37	272	48,9	51,0	0,4844	750	57	292	50,9	53,0	0,5154	800	82	317	53,3	55,4	0,5541	900 x	200		-		17		25,8		25,9	0,1006	225	-	29	27,4	27,5	0,1225	250	-	42	28,9	29,0	0,1444	280	-	57	30,6	30,7	0,1706	300	-	67	31,8	31,9	0,1881	315	-	74	32,6	33,0	0,2013	355	-	94	34,9	35,3	0,2363	400	-	117	37,2	37,6	0,2756	450	-	142	39,8	40,2	0,3194	500	-	167	42,7	44,8	0,3631	550	-	192	44,9	47,0	0,4069	560	-	197	45,4	47,5	0,4156	600	-	217	47,5	49,6	0,4506	630	-	232	49,1	51,2	0,4769	650	7	242	50,1	52,2	0,4944	700	32	267	52,7	54,8	0,5381	710	37	272	53,1	55,2	0,5314	750	57	292	55,9	59,1	0,5996	800	82	317	62,7	64,8	0,6971	200	-	17	30,1	30,2	0,1236	225	-	29	32,0	32,1	0,1505	250	-	42	33,7	33,8	0,1774	280	-	57	35,8	35,9	0,2096	300	-	67	37,0	37,4	0,2311	315	-	74	38,0	38,4	0,2473	355	-	94	40,6	41,0	0,2903	400	-	117	43,3	43,7	0,3386	450	-	142	46,4	48,5	0,3924	500	-	167	49,7	51,8	0,4461	550	-	192	52,2	54,3	0,4999	560	-	197	52,8	54,9	0,5106	600	-	217	55,3	57,4	0,5536	630	-	232	57,1	59,2	0,5859	650	7	242	58,3	60,4	0,6074	700	32	267	61,4	63,5	0,6611	710	37	272	62,0	64,1	0,6719	750	57	292	64,4	66,5	0,7149	800	82	317	67,5	69,6	0,7686	200	-	17	33,1	33,2	0,1409	225	-	29	35,1	35,2	0,1715	250	-	42	37,0	37,4	0,2021	280	-	57	39,3	39,7	0,2389	300	-	67	40,5	40,9	0,2634	315	-	74	41,5	41,9	0,2818	355	-	94	44,3	44,7	0,3308	400	-	117	47,3	47,7	0,3859	450	-	142	50,5	52,6	0,4471	500	-	167	54,1	56,2	0,5084	550	-	192	56,9	59,0	0,5696	560	-	197	57,5	59,6	0,5819	600	-	217	60,2	62,3	0,6309				
	BFL	355	-	94	30,6	31,0	0,1958	400		-	117	32,7	33,1	0,2284	450	-		142	35,0	35,4	0,2646	500		-	167	37,5	37,9	0,3009		550	-	192	39,4	41,5		0,3371	560	-	197	39,8	41,9	0,3444	BFN	600	-	217	41,7	43,8	0,3734	630	-		232	43,1	45,2	0,3951		650	7	242	44,0		46,1	0,4096	700	32		267	46,3	48,4	0,4459		710	37	272	46,8	48,9	0,4531	750	57	292	48,6	50,7	0,4821	BF	800	82	317	50,9	53,0	0,5184	200		-	17	23,6		23,7	0,0891	225		-	29	25,1		25,2	0,1085	250		-	42	26,4	26,5	0,1279	280	-	57	28,0	28,1	0,1511	300	-	67	29,2	29,3	0,1666	800 x	315	-	74	29,9	30,0	0,1783		355	-		94	32,1		32,5	0,2093		400	-		117	34,2	34,6	0,2441	450	-	142	36,6	37,0	0,2829	500	-	167	39,2	39,6	0,3216	550	-	192	41,2	43,3	0,3604	560	-	197	41,7	43,8	0,3681	600	-	217	43,6	45,7	0,3991	630	-	232	45,1	47,2	0,4224	650	7	242	46,0	48,1	0,4379	700	32	267	48,4	50,5	0,4766	710	37	272	48,9	51,0	0,4844	750	57	292	50,9	53,0	0,5154	800	82	317	53,3	55,4	0,5541	900 x	200	-	17	25,8	25,9		0,1006		225		-		29		27,4	27,5	0,1225	250	-	42	28,9	29,0	0,1444	280	-	57	30,6	30,7	0,1706	300	-	67	31,8	31,9	0,1881	315	-	74	32,6	33,0	0,2013	355	-	94	34,9	35,3	0,2363	400	-	117	37,2	37,6	0,2756	450	-	142	39,8	40,2	0,3194	500	-	167	42,7	44,8	0,3631	550	-	192	44,9	47,0	0,4069	560	-	197	45,4	47,5	0,4156	600	-	217	47,5	49,6	0,4506	630	-	232	49,1	51,2	0,4769	650	7	242	50,1	52,2	0,4944	700	32	267	52,7	54,8	0,5381	710	37	272	53,1	55,2	0,5314	750	57	292	55,9	59,1	0,5996	800	82	317	62,7	64,8	0,6971	200	-	17	30,1	30,2	0,1236	225	-	29	32,0	32,1	0,1505	250	-	42	33,7	33,8	0,1774	280	-	57	35,8	35,9	0,2096	300	-	67	37,0	37,4	0,2311	315	-	74	38,0	38,4	0,2473	355	-	94	40,6	41,0	0,2903	400	-	117	43,3	43,7	0,3386	450	-	142	46,4	48,5	0,3924	500	-	167	49,7	51,8	0,4461	550	-	192	52,2	54,3	0,4999	560	-	197	52,8	54,9	0,5106	600	-	217	55,3	57,4	0,5536	630	-	232	57,1	59,2	0,5859	650	7	242	58,3	60,4	0,6074	700	32	267	61,4	63,5	0,6611	710	37	272	62,0	64,1	0,6719	750	57	292	64,4	66,5	0,7149	800	82	317	67,5	69,6	0,7686	200	-	17	33,1	33,2	0,1409	225	-	29	35,1	35,2	0,1715	250	-	42	37,0	37,4	0,2021	280	-	57	39,3	39,7	0,2389	300	-	67	40,5	40,9	0,2634	315	-	74	41,5	41,9	0,2818	355	-	94	44,3	44,7	0,3308	400	-	117	47,3	47,7	0,3859	450	-	142	50,5	52,6	0,4471	500	-	167	54,1	56,2	0,5084	550	-	192	56,9	59,0	0,5696	560	-	197	57,5	59,6	0,5819	600	-	217	60,2	62,3	0,6309									
		400	-	117	32,7	33,1	0,2284	450		-	142	35,0	35,4	0,2646	500	-		167	37,5	37,9	0,3009	550		-	192	39,4	41,5	0,3371		560	-	197	39,8	41,9	0,3444	BFN	600	-	217	41,7	43,8	0,3734		630	-	232	43,1	45,2	0,3951	650	7		242	44,0	46,1	0,4096		700	32	267	46,3		48,4	0,4459	710	37		272	46,8	48,9	0,4531	750	57	292	48,6	50,7	0,4821	BF	800	82	317	50,9	53,0	0,5184		200	-	17	23,6	23,7	0,0891	225		-	29	25,1		25,2	0,1085	250		-	42	26,4		26,5	0,1279	280	-	57	28,0	28,1	0,1511	300	-	67	29,2	29,3	0,1666	800 x	315	-	74	29,9	30,0	0,1783		355	-	94	32,1	32,5	0,2093		400	-		117	34,2		34,6	0,2441		450	-		142	36,6	37,0	0,2829	500	-	167	39,2	39,6	0,3216	550	-	192	41,2	43,3	0,3604	560	-	197	41,7	43,8	0,3681	600	-	217	43,6	45,7	0,3991	630	-	232	45,1	47,2	0,4224	650	7	242	46,0	48,1	0,4379	700	32	267	48,4	50,5	0,4766	710	37	272	48,9	51,0	0,4844	750	57	292	50,9	53,0	0,5154	800	82	317	53,3	55,4	0,5541	900 x	200	-	17	25,8	25,9		0,1006	225	-	29	27,4		27,5		0,1225		250		-		42	28,9	29,0	0,1444	280	-	57	30,6	30,7	0,1706	300	-	67	31,8	31,9	0,1881	315	-	74	32,6	33,0	0,2013	355	-	94	34,9	35,3	0,2363	400	-	117	37,2	37,6	0,2756	450	-	142	39,8	40,2	0,3194	500	-	167	42,7	44,8	0,3631	550	-	192	44,9	47,0	0,4069	560	-	197	45,4	47,5	0,4156	600	-	217	47,5	49,6	0,4506	630	-	232	49,1	51,2	0,4769	650	7	242	50,1	52,2	0,4944	700	32	267	52,7	54,8	0,5381	710	37	272	53,1	55,2	0,5314	750	57	292	55,9	59,1	0,5996	800	82	317	62,7	64,8	0,6971	200	-	17	30,1	30,2	0,1236	225	-	29	32,0	32,1	0,1505	250	-	42	33,7	33,8	0,1774	280	-	57	35,8	35,9	0,2096	300	-	67	37,0	37,4	0,2311	315	-	74	38,0	38,4	0,2473	355	-	94	40,6	41,0	0,2903	400	-	117	43,3	43,7	0,3386	450	-	142	46,4	48,5	0,3924	500	-	167	49,7	51,8	0,4461	550	-	192	52,2	54,3	0,4999	560	-	197	52,8	54,9	0,5106	600	-	217	55,3	57,4	0,5536	630	-	232	57,1	59,2	0,5859	650	7	242	58,3	60,4	0,6074	700	32	267	61,4	63,5	0,6611	710	37	272	62,0	64,1	0,6719	750	57	292	64,4	66,5	0,7149	800	82	317	67,5	69,6	0,7686	200	-	17	33,1	33,2	0,1409	225	-	29	35,1	35,2	0,1715	250	-	42	37,0	37,4	0,2021	280	-	57	39,3	39,7	0,2389	300	-	67	40,5	40,9	0,2634	315	-	74	41,5	41,9	0,2818	355	-	94	44,3	44,7	0,3308	400	-	117	47,3	47,7	0,3859	450	-	142	50,5	52,6	0,4471	500	-	167	54,1	56,2	0,5084	550	-	192	56,9	59,0	0,5696	560	-	197	57,5	59,6	0,5819	600	-	217	60,2	62,3	0,6309														
		450	-	142	35,0	35,4	0,2646	500		-	167	37,5	37,9	0,3009	550	-		192	39,4	41,5	0,3371	560		-	197	39,8	41,9	0,3444	BFN	600	-	217	41,7	43,8	0,3734		630	-	232	43,1	45,2	0,3951		650	7	242	44,0	46,1	0,4096	700	32		267	46,3	48,4	0,4459		710	37	272	46,8		48,9	0,4531	750	57	292	48,6	50,7	0,4821	BF	800	82	317	50,9	53,0	0,5184		200	-	17	23,6	23,7	0,0891		225	-	29	25,1	25,2	0,1085	250		-	42	26,4		26,5	0,1279	280		-	57	28,0	28,1	0,1511	300	-	67	29,2	29,3	0,1666	800 x	315	-	74	29,9	30,0	0,1783		355	-	94	32,1	32,5	0,2093		400	-	117	34,2	34,6	0,2441		450	-		142	36,6		37,0	0,2829		500	-		167	39,2	39,6	0,3216	550	-	192	41,2	43,3	0,3604	560	-	197	41,7	43,8	0,3681	600	-	217	43,6	45,7	0,3991	630	-	232	45,1	47,2	0,4224	650	7	242	46,0	48,1	0,4379	700	32	267	48,4	50,5	0,4766	710	37	272	48,9	51,0	0,4844	750	57	292	50,9	53,0	0,5154	800	82	317	53,3	55,4	0,5541	900 x	200	-	17	25,8	25,9		0,1006	225	-	29	27,4		27,5	0,1225	250	-	42		28,9		29,0		0,1444		280		-	57	30,6	30,7	0,1706	300	-	67	31,8	31,9	0,1881	315	-	74	32,6	33,0	0,2013	355	-	94	34,9	35,3	0,2363	400	-	117	37,2	37,6	0,2756	450	-	142	39,8	40,2	0,3194	500	-	167	42,7	44,8	0,3631	550	-	192	44,9	47,0	0,4069	560	-	197	45,4	47,5	0,4156	600	-	217	47,5	49,6	0,4506	630	-	232	49,1	51,2	0,4769	650	7	242	50,1	52,2	0,4944	700	32	267	52,7	54,8	0,5381	710	37	272	53,1	55,2	0,5314	750	57	292	55,9	59,1	0,5996	800	82	317	62,7	64,8	0,6971	200	-	17	30,1	30,2	0,1236	225	-	29	32,0	32,1	0,1505	250	-	42	33,7	33,8	0,1774	280	-	57	35,8	35,9	0,2096	300	-	67	37,0	37,4	0,2311	315	-	74	38,0	38,4	0,2473	355	-	94	40,6	41,0	0,2903	400	-	117	43,3	43,7	0,3386	450	-	142	46,4	48,5	0,3924	500	-	167	49,7	51,8	0,4461	550	-	192	52,2	54,3	0,4999	560	-	197	52,8	54,9	0,5106	600	-	217	55,3	57,4	0,5536	630	-	232	57,1	59,2	0,5859	650	7	242	58,3	60,4	0,6074	700	32	267	61,4	63,5	0,6611	710	37	272	62,0	64,1	0,6719	750	57	292	64,4	66,5	0,7149	800	82	317	67,5	69,6	0,7686	200	-	17	33,1	33,2	0,1409	225	-	29	35,1	35,2	0,1715	250	-	42	37,0	37,4	0,2021	280	-	57	39,3	39,7	0,2389	300	-	67	40,5	40,9	0,2634	315	-	74	41,5	41,9	0,2818	355	-	94	44,3	44,7	0,3308	400	-	117	47,3	47,7	0,3859	450	-	142	50,5	52,6	0,4471	500	-	167	54,1	56,2	0,5084	550	-	192	56,9	59,0	0,5696	560	-	197	57,5	59,6	0,5819	600	-	217	60,2	62,3	0,6309																			
		500	-	167	37,5	37,9	0,3009	550		-	192	39,4	41,5	0,3371	560	-		197	39,8	41,9	0,3444	BFN	600	-	217	41,7	43,8	0,3734		630	-	232	43,1	45,2	0,3951		650	7	242	44,0	46,1	0,4096		700	32	267	46,3	48,4	0,4459	710	37		272	46,8	48,9	0,4531		750	57	292	48,6	50,7	0,4821	BF	800	82	317	50,9	53,0	0,5184		200	-	17	23,6	23,7	0,0891		225	-	29	25,1	25,2	0,1085		250	-	42	26,4	26,5	0,1279	280		-	57	28,0		28,1	0,1511	300	-	67	29,2	29,3	0,1666	800 x	315	-	74	29,9	30,0	0,1783		355	-	94	32,1	32,5	0,2093		400	-	117	34,2	34,6	0,2441		450	-	142	36,6	37,0	0,2829		500	-		167	39,2		39,6	0,3216		550	-		192	41,2	43,3	0,3604	560	-	197	41,7	43,8	0,3681	600	-	217	43,6	45,7	0,3991	630	-	232	45,1	47,2	0,4224	650	7	242	46,0	48,1	0,4379	700	32	267	48,4	50,5	0,4766	710	37	272	48,9	51,0	0,4844	750	57	292	50,9	53,0	0,5154	800	82	317	53,3	55,4	0,5541	900 x	200	-	17	25,8	25,9		0,1006	225	-	29	27,4		27,5	0,1225	250	-	42		28,9	29,0	0,1444	280	-		57		30,6		30,7		0,1706		300	-	67	31,8	31,9	0,1881	315	-	74	32,6	33,0	0,2013	355	-	94	34,9	35,3	0,2363	400	-	117	37,2	37,6	0,2756	450	-	142	39,8	40,2	0,3194	500	-	167	42,7	44,8	0,3631	550	-	192	44,9	47,0	0,4069	560	-	197	45,4	47,5	0,4156	600	-	217	47,5	49,6	0,4506	630	-	232	49,1	51,2	0,4769	650	7	242	50,1	52,2	0,4944	700	32	267	52,7	54,8	0,5381	710	37	272	53,1	55,2	0,5314	750	57	292	55,9	59,1	0,5996	800	82	317	62,7	64,8	0,6971	200	-	17	30,1	30,2	0,1236	225	-	29	32,0	32,1	0,1505	250	-	42	33,7	33,8	0,1774	280	-	57	35,8	35,9	0,2096	300	-	67	37,0	37,4	0,2311	315	-	74	38,0	38,4	0,2473	355	-	94	40,6	41,0	0,2903	400	-	117	43,3	43,7	0,3386	450	-	142	46,4	48,5	0,3924	500	-	167	49,7	51,8	0,4461	550	-	192	52,2	54,3	0,4999	560	-	197	52,8	54,9	0,5106	600	-	217	55,3	57,4	0,5536	630	-	232	57,1	59,2	0,5859	650	7	242	58,3	60,4	0,6074	700	32	267	61,4	63,5	0,6611	710	37	272	62,0	64,1	0,6719	750	57	292	64,4	66,5	0,7149	800	82	317	67,5	69,6	0,7686	200	-	17	33,1	33,2	0,1409	225	-	29	35,1	35,2	0,1715	250	-	42	37,0	37,4	0,2021	280	-	57	39,3	39,7	0,2389	300	-	67	40,5	40,9	0,2634	315	-	74	41,5	41,9	0,2818	355	-	94	44,3	44,7	0,3308	400	-	117	47,3	47,7	0,3859	450	-	142	50,5	52,6	0,4471	500	-	167	54,1	56,2	0,5084	550	-	192	56,9	59,0	0,5696	560	-	197	57,5	59,6	0,5819	600	-	217	60,2	62,3	0,6309																								
		550	-	192	39,4	41,5	0,3371	560		-	197	39,8	41,9	0,3444	BFN	600	-	217	41,7	43,8	0,3734		630	-	232	43,1	45,2	0,3951		650	7	242	44,0	46,1	0,4096		700	32	267	46,3	48,4	0,4459		710	37	272	46,8	48,9	0,4531	750	57		292	48,6	50,7	0,4821	BF	800	82	317	50,9	53,0	0,5184		200	-	17	23,6	23,7	0,0891		225	-	29	25,1	25,2	0,1085		250	-	42	26,4	26,5	0,1279		280	-	57	28,0	28,1	0,1511	300		-	67	29,2	29,3	0,1666	800 x	315	-	74	29,9	30,0	0,1783		355	-	94	32,1	32,5	0,2093		400	-	117	34,2	34,6	0,2441		450	-	142	36,6	37,0	0,2829		500	-	167	39,2	39,6	0,3216		550	-		192	41,2		43,3	0,3604		560	-		197	41,7	43,8	0,3681	600	-	217	43,6	45,7	0,3991	630	-	232	45,1	47,2	0,4224	650	7	242	46,0	48,1	0,4379	700	32	267	48,4	50,5	0,4766	710	37	272	48,9	51,0	0,4844	750	57	292	50,9	53,0	0,5154	800	82	317	53,3	55,4	0,5541	900 x	200	-	17	25,8	25,9		0,1006	225	-	29	27,4		27,5	0,1225	250	-	42		28,9	29,0	0,1444	280	-		57	30,6	30,7	0,1706	300		-		67		31,8		31,9		0,1881	315	-	74	32,6	33,0	0,2013	355	-	94	34,9	35,3	0,2363	400	-	117	37,2	37,6	0,2756	450	-	142	39,8	40,2	0,3194	500	-	167	42,7	44,8	0,3631	550	-	192	44,9	47,0	0,4069	560	-	197	45,4	47,5	0,4156	600	-	217	47,5	49,6	0,4506	630	-	232	49,1	51,2	0,4769	650	7	242	50,1	52,2	0,4944	700	32	267	52,7	54,8	0,5381	710	37	272	53,1	55,2	0,5314	750	57	292	55,9	59,1	0,5996	800	82	317	62,7	64,8	0,6971	200	-	17	30,1	30,2	0,1236	225	-	29	32,0	32,1	0,1505	250	-	42	33,7	33,8	0,1774	280	-	57	35,8	35,9	0,2096	300	-	67	37,0	37,4	0,2311	315	-	74	38,0	38,4	0,2473	355	-	94	40,6	41,0	0,2903	400	-	117	43,3	43,7	0,3386	450	-	142	46,4	48,5	0,3924	500	-	167	49,7	51,8	0,4461	550	-	192	52,2	54,3	0,4999	560	-	197	52,8	54,9	0,5106	600	-	217	55,3	57,4	0,5536	630	-	232	57,1	59,2	0,5859	650	7	242	58,3	60,4	0,6074	700	32	267	61,4	63,5	0,6611	710	37	272	62,0	64,1	0,6719	750	57	292	64,4	66,5	0,7149	800	82	317	67,5	69,6	0,7686	200	-	17	33,1	33,2	0,1409	225	-	29	35,1	35,2	0,1715	250	-	42	37,0	37,4	0,2021	280	-	57	39,3	39,7	0,2389	300	-	67	40,5	40,9	0,2634	315	-	74	41,5	41,9	0,2818	355	-	94	44,3	44,7	0,3308	400	-	117	47,3	47,7	0,3859	450	-	142	50,5	52,6	0,4471	500	-	167	54,1	56,2	0,5084	550	-	192	56,9	59,0	0,5696	560	-	197	57,5	59,6	0,5819	600	-	217	60,2	62,3	0,6309																													
		560	-	197	39,8	41,9	0,3444	BFN	600	-	217	41,7	43,8	0,3734		630	-	232	43,1	45,2	0,3951		650	7	242	44,0	46,1	0,4096		700	32	267	46,3	48,4	0,4459		710	37	272	46,8	48,9	0,4531		750	57	292	48,6	50,7	0,4821	BF	800	82	317	50,9	53,0	0,5184		200	-	17	23,6	23,7	0,0891		225	-	29	25,1	25,2	0,1085		250	-	42	26,4	26,5	0,1279		280	-	57	28,0	28,1	0,1511		300	-	67	29,2	29,3	0,1666	800 x	315	-	74	29,9	30,0	0,1783		355	-	94	32,1	32,5	0,2093		400	-	117	34,2	34,6	0,2441		450	-	142	36,6	37,0	0,2829		500	-	167	39,2	39,6	0,3216		550	-	192	41,2	43,3	0,3604		560	-		197	41,7		43,8	0,3681		600	-		217	43,6	45,7	0,3991	630	-	232	45,1	47,2	0,4224	650	7	242	46,0	48,1	0,4379	700	32	267	48,4	50,5	0,4766	710	37	272	48,9	51,0	0,4844	750	57	292	50,9	53,0	0,5154	800	82	317	53,3	55,4	0,5541	900 x	200	-	17	25,8	25,9		0,1006	225	-	29	27,4		27,5	0,1225	250	-	42		28,9	29,0	0,1444	280	-		57	30,6	30,7	0,1706	300		-	67	31,8	31,9	0,1881		315		-		74		32,6		33,0	0,2013	355	-	94	34,9	35,3	0,2363	400	-	117	37,2	37,6	0,2756	450	-	142	39,8	40,2	0,3194	500	-	167	42,7	44,8	0,3631	550	-	192	44,9	47,0	0,4069	560	-	197	45,4	47,5	0,4156	600	-	217	47,5	49,6	0,4506	630	-	232	49,1	51,2	0,4769	650	7	242	50,1	52,2	0,4944	700	32	267	52,7	54,8	0,5381	710	37	272	53,1	55,2	0,5314	750	57	292	55,9	59,1	0,5996	800	82	317	62,7	64,8	0,6971	200	-	17	30,1	30,2	0,1236	225	-	29	32,0	32,1	0,1505	250	-	42	33,7	33,8	0,1774	280	-	57	35,8	35,9	0,2096	300	-	67	37,0	37,4	0,2311	315	-	74	38,0	38,4	0,2473	355	-	94	40,6	41,0	0,2903	400	-	117	43,3	43,7	0,3386	450	-	142	46,4	48,5	0,3924	500	-	167	49,7	51,8	0,4461	550	-	192	52,2	54,3	0,4999	560	-	197	52,8	54,9	0,5106	600	-	217	55,3	57,4	0,5536	630	-	232	57,1	59,2	0,5859	650	7	242	58,3	60,4	0,6074	700	32	267	61,4	63,5	0,6611	710	37	272	62,0	64,1	0,6719	750	57	292	64,4	66,5	0,7149	800	82	317	67,5	69,6	0,7686	200	-	17	33,1	33,2	0,1409	225	-	29	35,1	35,2	0,1715	250	-	42	37,0	37,4	0,2021	280	-	57	39,3	39,7	0,2389	300	-	67	40,5	40,9	0,2634	315	-	74	41,5	41,9	0,2818	355	-	94	44,3	44,7	0,3308	400	-	117	47,3	47,7	0,3859	450	-	142	50,5	52,6	0,4471	500	-	167	54,1	56,2	0,5084	550	-	192	56,9	59,0	0,5696	560	-	197	57,5	59,6	0,5819	600	-	217	60,2	62,3	0,6309																																		
	BFN	600	-	217	41,7	43,8	0,3734		630	-	232	43,1	45,2	0,3951		650	7	242	44,0	46,1	0,4096		700	32	267	46,3	48,4	0,4459		710	37	272	46,8	48,9	0,4531		750	57	292	48,6	50,7	0,4821	BF	800	82	317	50,9	53,0	0,5184		200	-	17	23,6	23,7	0,0891		225	-	29	25,1	25,2	0,1085		250	-	42	26,4	26,5	0,1279		280	-	57	28,0	28,1	0,1511		300	-	67	29,2	29,3	0,1666	800 x	315	-	74	29,9	30,0	0,1783		355	-	94	32,1	32,5	0,2093		400	-	117	34,2	34,6	0,2441		450	-	142	36,6	37,0	0,2829		500	-	167	39,2	39,6	0,3216		550	-	192	41,2	43,3	0,3604		560	-	197	41,7	43,8	0,3681		600	-		217	43,6		45,7	0,3991		630	-		232	45,1	47,2	0,4224	650	7	242	46,0	48,1	0,4379	700	32	267	48,4	50,5	0,4766	710	37	272	48,9	51,0	0,4844	750	57	292	50,9	53,0	0,5154	800	82	317	53,3	55,4	0,5541	900 x	200	-	17	25,8	25,9		0,1006	225	-	29	27,4		27,5	0,1225	250	-	42		28,9	29,0	0,1444	280	-		57	30,6	30,7	0,1706	300		-	67	31,8	31,9	0,1881		315	-	74	32,6	33,0		0,2013		355		-		94		34,9	35,3	0,2363	400	-	117	37,2	37,6	0,2756	450	-	142	39,8	40,2	0,3194	500	-	167	42,7	44,8	0,3631	550	-	192	44,9	47,0	0,4069	560	-	197	45,4	47,5	0,4156	600	-	217	47,5	49,6	0,4506	630	-	232	49,1	51,2	0,4769	650	7	242	50,1	52,2	0,4944	700	32	267	52,7	54,8	0,5381	710	37	272	53,1	55,2	0,5314	750	57	292	55,9	59,1	0,5996	800	82	317	62,7	64,8	0,6971	200	-	17	30,1	30,2	0,1236	225	-	29	32,0	32,1	0,1505	250	-	42	33,7	33,8	0,1774	280	-	57	35,8	35,9	0,2096	300	-	67	37,0	37,4	0,2311	315	-	74	38,0	38,4	0,2473	355	-	94	40,6	41,0	0,2903	400	-	117	43,3	43,7	0,3386	450	-	142	46,4	48,5	0,3924	500	-	167	49,7	51,8	0,4461	550	-	192	52,2	54,3	0,4999	560	-	197	52,8	54,9	0,5106	600	-	217	55,3	57,4	0,5536	630	-	232	57,1	59,2	0,5859	650	7	242	58,3	60,4	0,6074	700	32	267	61,4	63,5	0,6611	710	37	272	62,0	64,1	0,6719	750	57	292	64,4	66,5	0,7149	800	82	317	67,5	69,6	0,7686	200	-	17	33,1	33,2	0,1409	225	-	29	35,1	35,2	0,1715	250	-	42	37,0	37,4	0,2021	280	-	57	39,3	39,7	0,2389	300	-	67	40,5	40,9	0,2634	315	-	74	41,5	41,9	0,2818	355	-	94	44,3	44,7	0,3308	400	-	117	47,3	47,7	0,3859	450	-	142	50,5	52,6	0,4471	500	-	167	54,1	56,2	0,5084	550	-	192	56,9	59,0	0,5696	560	-	197	57,5	59,6	0,5819	600	-	217	60,2	62,3	0,6309																																							
		630	-	232	43,1	45,2	0,3951		650	7	242	44,0	46,1	0,4096		700	32	267	46,3	48,4	0,4459		710	37	272	46,8	48,9	0,4531		750	57	292	48,6	50,7	0,4821	BF	800	82	317	50,9	53,0	0,5184		200	-	17	23,6	23,7	0,0891		225	-	29	25,1	25,2	0,1085		250	-	42	26,4	26,5	0,1279		280	-	57	28,0	28,1	0,1511		300	-	67	29,2	29,3	0,1666	800 x	315	-	74	29,9	30,0	0,1783		355	-	94	32,1	32,5	0,2093		400	-	117	34,2	34,6	0,2441		450	-	142	36,6	37,0	0,2829		500	-	167	39,2	39,6	0,3216		550	-	192	41,2	43,3	0,3604		560	-	197	41,7	43,8	0,3681		600	-	217	43,6	45,7	0,3991		630	-		232	45,1		47,2	0,4224		650	7		242	46,0	48,1	0,4379	700	32	267	48,4	50,5	0,4766	710	37	272	48,9	51,0	0,4844	750	57	292	50,9	53,0	0,5154	800	82	317	53,3	55,4	0,5541	900 x	200	-	17	25,8	25,9		0,1006	225	-	29	27,4		27,5	0,1225	250	-	42		28,9	29,0	0,1444	280	-		57	30,6	30,7	0,1706	300		-	67	31,8	31,9	0,1881		315	-	74	32,6	33,0		0,2013	355	-	94	34,9		35,3		0,2363		400		-		117	37,2	37,6	0,2756	450	-	142	39,8	40,2	0,3194	500	-	167	42,7	44,8	0,3631	550	-	192	44,9	47,0	0,4069	560	-	197	45,4	47,5	0,4156	600	-	217	47,5	49,6	0,4506	630	-	232	49,1	51,2	0,4769	650	7	242	50,1	52,2	0,4944	700	32	267	52,7	54,8	0,5381	710	37	272	53,1	55,2	0,5314	750	57	292	55,9	59,1	0,5996	800	82	317	62,7	64,8	0,6971	200	-	17	30,1	30,2	0,1236	225	-	29	32,0	32,1	0,1505	250	-	42	33,7	33,8	0,1774	280	-	57	35,8	35,9	0,2096	300	-	67	37,0	37,4	0,2311	315	-	74	38,0	38,4	0,2473	355	-	94	40,6	41,0	0,2903	400	-	117	43,3	43,7	0,3386	450	-	142	46,4	48,5	0,3924	500	-	167	49,7	51,8	0,4461	550	-	192	52,2	54,3	0,4999	560	-	197	52,8	54,9	0,5106	600	-	217	55,3	57,4	0,5536	630	-	232	57,1	59,2	0,5859	650	7	242	58,3	60,4	0,6074	700	32	267	61,4	63,5	0,6611	710	37	272	62,0	64,1	0,6719	750	57	292	64,4	66,5	0,7149	800	82	317	67,5	69,6	0,7686	200	-	17	33,1	33,2	0,1409	225	-	29	35,1	35,2	0,1715	250	-	42	37,0	37,4	0,2021	280	-	57	39,3	39,7	0,2389	300	-	67	40,5	40,9	0,2634	315	-	74	41,5	41,9	0,2818	355	-	94	44,3	44,7	0,3308	400	-	117	47,3	47,7	0,3859	450	-	142	50,5	52,6	0,4471	500	-	167	54,1	56,2	0,5084	550	-	192	56,9	59,0	0,5696	560	-	197	57,5	59,6	0,5819	600	-	217	60,2	62,3	0,6309																																												
		650	7	242	44,0	46,1	0,4096		700	32	267	46,3	48,4	0,4459		710	37	272	46,8	48,9	0,4531		750	57	292	48,6	50,7	0,4821	BF	800	82	317	50,9	53,0	0,5184		200	-	17	23,6	23,7	0,0891		225	-	29	25,1	25,2	0,1085		250	-	42	26,4	26,5	0,1279		280	-	57	28,0	28,1	0,1511		300	-	67	29,2	29,3	0,1666	800 x	315	-	74	29,9	30,0	0,1783		355	-	94	32,1	32,5	0,2093		400	-	117	34,2	34,6	0,2441		450	-	142	36,6	37,0	0,2829		500	-	167	39,2	39,6	0,3216		550	-	192	41,2	43,3	0,3604		560	-	197	41,7	43,8	0,3681		600	-	217	43,6	45,7	0,3991		630	-	232	45,1	47,2	0,4224		650	7		242	46,0		48,1	0,4379		700	32		267	48,4	50,5	0,4766	710	37	272	48,9	51,0	0,4844	750	57	292	50,9	53,0	0,5154	800	82	317	53,3	55,4	0,5541	900 x	200	-	17	25,8	25,9		0,1006	225	-	29	27,4		27,5	0,1225	250	-	42		28,9	29,0	0,1444	280	-		57	30,6	30,7	0,1706	300		-	67	31,8	31,9	0,1881		315	-	74	32,6	33,0		0,2013	355	-	94	34,9		35,3	0,2363	400	-	117		37,2		37,6		0,2756		450		-	142	39,8	40,2	0,3194	500	-	167	42,7	44,8	0,3631	550	-	192	44,9	47,0	0,4069	560	-	197	45,4	47,5	0,4156	600	-	217	47,5	49,6	0,4506	630	-	232	49,1	51,2	0,4769	650	7	242	50,1	52,2	0,4944	700	32	267	52,7	54,8	0,5381	710	37	272	53,1	55,2	0,5314	750	57	292	55,9	59,1	0,5996	800	82	317	62,7	64,8	0,6971	200	-	17	30,1	30,2	0,1236	225	-	29	32,0	32,1	0,1505	250	-	42	33,7	33,8	0,1774	280	-	57	35,8	35,9	0,2096	300	-	67	37,0	37,4	0,2311	315	-	74	38,0	38,4	0,2473	355	-	94	40,6	41,0	0,2903	400	-	117	43,3	43,7	0,3386	450	-	142	46,4	48,5	0,3924	500	-	167	49,7	51,8	0,4461	550	-	192	52,2	54,3	0,4999	560	-	197	52,8	54,9	0,5106	600	-	217	55,3	57,4	0,5536	630	-	232	57,1	59,2	0,5859	650	7	242	58,3	60,4	0,6074	700	32	267	61,4	63,5	0,6611	710	37	272	62,0	64,1	0,6719	750	57	292	64,4	66,5	0,7149	800	82	317	67,5	69,6	0,7686	200	-	17	33,1	33,2	0,1409	225	-	29	35,1	35,2	0,1715	250	-	42	37,0	37,4	0,2021	280	-	57	39,3	39,7	0,2389	300	-	67	40,5	40,9	0,2634	315	-	74	41,5	41,9	0,2818	355	-	94	44,3	44,7	0,3308	400	-	117	47,3	47,7	0,3859	450	-	142	50,5	52,6	0,4471	500	-	167	54,1	56,2	0,5084	550	-	192	56,9	59,0	0,5696	560	-	197	57,5	59,6	0,5819	600	-	217	60,2	62,3	0,6309																																																	
		700	32	267	46,3	48,4	0,4459		710	37	272	46,8	48,9	0,4531		750	57	292	48,6	50,7	0,4821	BF	800	82	317	50,9	53,0	0,5184		200	-	17	23,6	23,7	0,0891		225	-	29	25,1	25,2	0,1085		250	-	42	26,4	26,5	0,1279		280	-	57	28,0	28,1	0,1511		300	-	67	29,2	29,3	0,1666	800 x	315	-	74	29,9	30,0	0,1783		355	-	94	32,1	32,5	0,2093		400	-	117	34,2	34,6	0,2441		450	-	142	36,6	37,0	0,2829		500	-	167	39,2	39,6	0,3216		550	-	192	41,2	43,3	0,3604		560	-	197	41,7	43,8	0,3681		600	-	217	43,6	45,7	0,3991		630	-	232	45,1	47,2	0,4224		650	7	242	46,0	48,1	0,4379		700	32		267	48,4		50,5	0,4766		710	37		272	48,9	51,0	0,4844	750	57	292	50,9	53,0	0,5154	800	82	317	53,3	55,4	0,5541	900 x	200	-	17	25,8	25,9		0,1006	225	-	29	27,4		27,5	0,1225	250	-	42		28,9	29,0	0,1444	280	-		57	30,6	30,7	0,1706	300		-	67	31,8	31,9	0,1881		315	-	74	32,6	33,0		0,2013	355	-	94	34,9		35,3	0,2363	400	-	117		37,2	37,6	0,2756	450	-		142		39,8		40,2		0,3194		500	-	167	42,7	44,8	0,3631	550	-	192	44,9	47,0	0,4069	560	-	197	45,4	47,5	0,4156	600	-	217	47,5	49,6	0,4506	630	-	232	49,1	51,2	0,4769	650	7	242	50,1	52,2	0,4944	700	32	267	52,7	54,8	0,5381	710	37	272	53,1	55,2	0,5314	750	57	292	55,9	59,1	0,5996	800	82	317	62,7	64,8	0,6971	200	-	17	30,1	30,2	0,1236	225	-	29	32,0	32,1	0,1505	250	-	42	33,7	33,8	0,1774	280	-	57	35,8	35,9	0,2096	300	-	67	37,0	37,4	0,2311	315	-	74	38,0	38,4	0,2473	355	-	94	40,6	41,0	0,2903	400	-	117	43,3	43,7	0,3386	450	-	142	46,4	48,5	0,3924	500	-	167	49,7	51,8	0,4461	550	-	192	52,2	54,3	0,4999	560	-	197	52,8	54,9	0,5106	600	-	217	55,3	57,4	0,5536	630	-	232	57,1	59,2	0,5859	650	7	242	58,3	60,4	0,6074	700	32	267	61,4	63,5	0,6611	710	37	272	62,0	64,1	0,6719	750	57	292	64,4	66,5	0,7149	800	82	317	67,5	69,6	0,7686	200	-	17	33,1	33,2	0,1409	225	-	29	35,1	35,2	0,1715	250	-	42	37,0	37,4	0,2021	280	-	57	39,3	39,7	0,2389	300	-	67	40,5	40,9	0,2634	315	-	74	41,5	41,9	0,2818	355	-	94	44,3	44,7	0,3308	400	-	117	47,3	47,7	0,3859	450	-	142	50,5	52,6	0,4471	500	-	167	54,1	56,2	0,5084	550	-	192	56,9	59,0	0,5696	560	-	197	57,5	59,6	0,5819	600	-	217	60,2	62,3	0,6309																																																						
		710	37	272	46,8	48,9	0,4531		750	57	292	48,6	50,7	0,4821	BF	800	82	317	50,9	53,0	0,5184		200	-	17	23,6	23,7	0,0891		225	-	29	25,1	25,2	0,1085		250	-	42	26,4	26,5	0,1279		280	-	57	28,0	28,1	0,1511		300	-	67	29,2	29,3	0,1666	800 x	315	-	74	29,9	30,0	0,1783		355	-	94	32,1	32,5	0,2093		400	-	117	34,2	34,6	0,2441		450	-	142	36,6	37,0	0,2829		500	-	167	39,2	39,6	0,3216		550	-	192	41,2	43,3	0,3604		560	-	197	41,7	43,8	0,3681		600	-	217	43,6	45,7	0,3991		630	-	232	45,1	47,2	0,4224		650	7	242	46,0	48,1	0,4379		700	32	267	48,4	50,5	0,4766		710	37		272	48,9		51,0	0,4844		750	57		292	50,9	53,0	0,5154	800	82	317	53,3	55,4	0,5541	900 x	200	-	17	25,8	25,9		0,1006	225	-	29	27,4		27,5	0,1225	250	-	42		28,9	29,0	0,1444	280	-		57	30,6	30,7	0,1706	300		-	67	31,8	31,9	0,1881		315	-	74	32,6	33,0		0,2013	355	-	94	34,9		35,3	0,2363	400	-	117		37,2	37,6	0,2756	450	-		142	39,8	40,2	0,3194	500		-		167		42,7		44,8		0,3631	550	-	192	44,9	47,0	0,4069	560	-	197	45,4	47,5	0,4156	600	-	217	47,5	49,6	0,4506	630	-	232	49,1	51,2	0,4769	650	7	242	50,1	52,2	0,4944	700	32	267	52,7	54,8	0,5381	710	37	272	53,1	55,2	0,5314	750	57	292	55,9	59,1	0,5996	800	82	317	62,7	64,8	0,6971	200	-	17	30,1	30,2	0,1236	225	-	29	32,0	32,1	0,1505	250	-	42	33,7	33,8	0,1774	280	-	57	35,8	35,9	0,2096	300	-	67	37,0	37,4	0,2311	315	-	74	38,0	38,4	0,2473	355	-	94	40,6	41,0	0,2903	400	-	117	43,3	43,7	0,3386	450	-	142	46,4	48,5	0,3924	500	-	167	49,7	51,8	0,4461	550	-	192	52,2	54,3	0,4999	560	-	197	52,8	54,9	0,5106	600	-	217	55,3	57,4	0,5536	630	-	232	57,1	59,2	0,5859	650	7	242	58,3	60,4	0,6074	700	32	267	61,4	63,5	0,6611	710	37	272	62,0	64,1	0,6719	750	57	292	64,4	66,5	0,7149	800	82	317	67,5	69,6	0,7686	200	-	17	33,1	33,2	0,1409	225	-	29	35,1	35,2	0,1715	250	-	42	37,0	37,4	0,2021	280	-	57	39,3	39,7	0,2389	300	-	67	40,5	40,9	0,2634	315	-	74	41,5	41,9	0,2818	355	-	94	44,3	44,7	0,3308	400	-	117	47,3	47,7	0,3859	450	-	142	50,5	52,6	0,4471	500	-	167	54,1	56,2	0,5084	550	-	192	56,9	59,0	0,5696	560	-	197	57,5	59,6	0,5819	600	-	217	60,2	62,3	0,6309																																																											
		750	57	292	48,6	50,7	0,4821	BF	800	82	317	50,9	53,0	0,5184		200	-	17	23,6	23,7	0,0891		225	-	29	25,1	25,2	0,1085		250	-	42	26,4	26,5	0,1279		280	-	57	28,0	28,1	0,1511		300	-	67	29,2	29,3	0,1666	800 x	315	-	74	29,9	30,0	0,1783		355	-	94	32,1	32,5	0,2093		400	-	117	34,2	34,6	0,2441		450	-	142	36,6	37,0	0,2829		500	-	167	39,2	39,6	0,3216		550	-	192	41,2	43,3	0,3604		560	-	197	41,7	43,8	0,3681		600	-	217	43,6	45,7	0,3991		630	-	232	45,1	47,2	0,4224		650	7	242	46,0	48,1	0,4379		700	32	267	48,4	50,5	0,4766		710	37	272	48,9	51,0	0,4844		750	57		292	50,9		53,0	0,5154		800	82		317	53,3	55,4	0,5541	900 x	200	-	17	25,8	25,9		0,1006	225	-	29	27,4		27,5	0,1225	250	-	42		28,9	29,0	0,1444	280	-		57	30,6	30,7	0,1706	300		-	67	31,8	31,9	0,1881		315	-	74	32,6	33,0		0,2013	355	-	94	34,9		35,3	0,2363	400	-	117		37,2	37,6	0,2756	450	-		142	39,8	40,2	0,3194	500		-	167	42,7	44,8	0,3631		550		-		192		44,9		47,0	0,4069	560	-	197	45,4	47,5	0,4156	600	-	217	47,5	49,6	0,4506	630	-	232	49,1	51,2	0,4769	650	7	242	50,1	52,2	0,4944	700	32	267	52,7	54,8	0,5381	710	37	272	53,1	55,2	0,5314	750	57	292	55,9	59,1	0,5996	800	82	317	62,7	64,8	0,6971	200	-	17	30,1	30,2	0,1236	225	-	29	32,0	32,1	0,1505	250	-	42	33,7	33,8	0,1774	280	-	57	35,8	35,9	0,2096	300	-	67	37,0	37,4	0,2311	315	-	74	38,0	38,4	0,2473	355	-	94	40,6	41,0	0,2903	400	-	117	43,3	43,7	0,3386	450	-	142	46,4	48,5	0,3924	500	-	167	49,7	51,8	0,4461	550	-	192	52,2	54,3	0,4999	560	-	197	52,8	54,9	0,5106	600	-	217	55,3	57,4	0,5536	630	-	232	57,1	59,2	0,5859	650	7	242	58,3	60,4	0,6074	700	32	267	61,4	63,5	0,6611	710	37	272	62,0	64,1	0,6719	750	57	292	64,4	66,5	0,7149	800	82	317	67,5	69,6	0,7686	200	-	17	33,1	33,2	0,1409	225	-	29	35,1	35,2	0,1715	250	-	42	37,0	37,4	0,2021	280	-	57	39,3	39,7	0,2389	300	-	67	40,5	40,9	0,2634	315	-	74	41,5	41,9	0,2818	355	-	94	44,3	44,7	0,3308	400	-	117	47,3	47,7	0,3859	450	-	142	50,5	52,6	0,4471	500	-	167	54,1	56,2	0,5084	550	-	192	56,9	59,0	0,5696	560	-	197	57,5	59,6	0,5819	600	-	217	60,2	62,3	0,6309																																																																
BF	800	82	317	50,9	53,0	0,5184	200		-	17	23,6	23,7	0,0891	225		-	29	25,1	25,2	0,1085	250		-	42	26,4	26,5	0,1279	280		-	57	28,0	28,1	0,1511	300		-	67	29,2	29,3	0,1666	800 x	315	-	74	29,9	30,0	0,1783	355		-	94	32,1	32,5	0,2093	400		-	117	34,2	34,6	0,2441	450		-	142	36,6	37,0	0,2829	500		-	167	39,2	39,6	0,3216	550		-	192	41,2	43,3	0,3604	560		-	197	41,7	43,8	0,3681	600		-	217	43,6	45,7	0,3991	630		-	232	45,1	47,2	0,4224	650		7	242	46,0	48,1	0,4379	700		32	267	48,4	50,5	0,4766	710		37	272	48,9	51,0	0,4844	750		57	292	50,9	53,0	0,5154	800		82	317		53,3	55,4		0,5541	900 x		200	-		17	25,8	25,9	0,1006		225	-	29	27,4	27,5		0,1225	250	-	42	28,9		29,0	0,1444	280	-	57		30,6	30,7	0,1706	300	-		67	31,8	31,9	0,1881	315		-	74	32,6	33,0	0,2013		355	-	94	34,9	35,3		0,2363	400	-	117	37,2		37,6	0,2756	450	-	142		39,8	40,2	0,3194	500	-		167	42,7	44,8	0,3631	550		-	192	44,9	47,0	0,4069		560		-		197		45,4		47,5	0,4156	600	-	217	47,5	49,6	0,4506	630	-	232	49,1	51,2	0,4769	650	7	242	50,1	52,2	0,4944	700	32	267	52,7	54,8	0,5381	710	37	272	53,1	55,2	0,5314	750	57	292	55,9	59,1	0,5996	800	82	317	62,7	64,8	0,6971	200	-	17	30,1	30,2	0,1236	225	-	29	32,0	32,1	0,1505	250	-	42	33,7	33,8	0,1774	280	-	57	35,8	35,9	0,2096	300	-	67	37,0	37,4	0,2311	315	-	74	38,0	38,4	0,2473	355	-	94	40,6	41,0	0,2903	400	-	117	43,3	43,7	0,3386	450	-	142	46,4	48,5	0,3924	500	-	167	49,7	51,8	0,4461	550	-	192	52,2	54,3	0,4999	560	-	197	52,8	54,9	0,5106	600	-	217	55,3	57,4	0,5536	630	-	232	57,1	59,2	0,5859	650	7	242	58,3	60,4	0,6074	700	32	267	61,4	63,5	0,6611	710	37	272	62,0	64,1	0,6719	750	57	292	64,4	66,5	0,7149	800	82	317	67,5	69,6	0,7686	200	-	17	33,1	33,2	0,1409	225	-	29	35,1	35,2	0,1715	250	-	42	37,0	37,4	0,2021	280	-	57	39,3	39,7	0,2389	300	-	67	40,5	40,9	0,2634	315	-	74	41,5	41,9	0,2818	355	-	94	44,3	44,7	0,3308	400	-	117	47,3	47,7	0,3859	450	-	142	50,5	52,6	0,4471	500	-	167	54,1	56,2	0,5084	550	-	192	56,9	59,0	0,5696	560	-	197	57,5	59,6	0,5819	600	-	217	60,2	62,3	0,6309																																																																						
	200	-	17	23,6	23,7	0,0891	225		-	29	25,1	25,2	0,1085	250		-	42	26,4	26,5	0,1279	280		-	57	28,0	28,1	0,1511	300		-	67	29,2	29,3	0,1666	800 x	315	-	74	29,9	30,0	0,1783		355	-	94	32,1	32,5	0,2093	400		-	117	34,2	34,6	0,2441	450		-	142	36,6	37,0	0,2829	500		-	167	39,2	39,6	0,3216	550		-	192	41,2	43,3	0,3604	560		-	197	41,7	43,8	0,3681	600		-	217	43,6	45,7	0,3991	630		-	232	45,1	47,2	0,4224	650		7	242	46,0	48,1	0,4379	700		32	267	48,4	50,5	0,4766	710		37	272	48,9	51,0	0,4844	750		57	292	50,9	53,0	0,5154	800		82	317	53,3	55,4	0,5541	900 x		200	-		17	25,8		25,9			0,1006	225	-	29	27,4	27,5	0,1225		250	-	42	28,9	29,0		0,1444	280	-	57	30,6		30,7	0,1706	300	-	67		31,8	31,9	0,1881	315	-		74	32,6	33,0	0,2013	355		-	94	34,9	35,3	0,2363		400	-	117	37,2	37,6		0,2756	450	-	142	39,8		40,2	0,3194	500	-	167		42,7	44,8	0,3631	550	-		192	44,9	47,0	0,4069	560		-	197	45,4	47,5	0,4156		600		-		217		47,5	49,6	0,4506	630	-	232	49,1	51,2	0,4769	650	7	242	50,1	52,2	0,4944	700	32	267	52,7	54,8	0,5381	710	37	272	53,1	55,2	0,5314	750	57	292	55,9	59,1	0,5996	800	82	317	62,7	64,8	0,6971	200	-	17	30,1	30,2	0,1236	225	-	29	32,0	32,1	0,1505	250	-	42	33,7	33,8	0,1774	280	-	57	35,8	35,9	0,2096	300	-	67	37,0	37,4	0,2311	315	-	74	38,0	38,4	0,2473	355	-	94	40,6	41,0	0,2903	400	-	117	43,3	43,7	0,3386	450	-	142	46,4	48,5	0,3924	500	-	167	49,7	51,8	0,4461	550	-	192	52,2	54,3	0,4999	560	-	197	52,8	54,9	0,5106	600	-	217	55,3	57,4	0,5536	630	-	232	57,1	59,2	0,5859	650	7	242	58,3	60,4	0,6074	700	32	267	61,4	63,5	0,6611	710	37	272	62,0	64,1	0,6719	750	57	292	64,4	66,5	0,7149	800	82	317	67,5	69,6	0,7686	200	-	17	33,1	33,2	0,1409	225	-	29	35,1	35,2	0,1715	250	-	42	37,0	37,4	0,2021	280	-	57	39,3	39,7	0,2389	300	-	67	40,5	40,9	0,2634	315	-	74	41,5	41,9	0,2818	355	-	94	44,3	44,7	0,3308	400	-	117	47,3	47,7	0,3859	450	-	142	50,5	52,6	0,4471	500	-	167	54,1	56,2	0,5084	550	-	192	56,9	59,0	0,5696	560	-	197	57,5	59,6	0,5819	600	-	217	60,2	62,3	0,6309																																																																													
	225	-	29	25,1	25,2	0,1085	250		-	42	26,4	26,5	0,1279	280		-	57	28,0	28,1	0,1511	300		-	67	29,2	29,3	0,1666	800 x	315	-	74	29,9	30,0	0,1783		355	-	94	32,1	32,5	0,2093		400	-	117	34,2	34,6	0,2441	450		-	142	36,6	37,0	0,2829	500		-	167	39,2	39,6	0,3216	550		-	192	41,2	43,3	0,3604	560		-	197	41,7	43,8	0,3681	600		-	217	43,6	45,7	0,3991	630		-	232	45,1	47,2	0,4224	650		7	242	46,0	48,1	0,4379	700		32	267	48,4	50,5	0,4766	710		37	272	48,9	51,0	0,4844	750		57	292	50,9	53,0	0,5154	800		82	317	53,3	55,4	0,5541	900 x		200	-	17	25,8	25,9			0,1006	225		-	29		27,4		27,5	0,1225	250	-	42	28,9	29,0	0,1444		280	-	57	30,6	30,7		0,1706	300	-	67	31,8		31,9	0,1881	315	-	74		32,6	33,0	0,2013	355	-		94	34,9	35,3	0,2363	400		-	117	37,2	37,6	0,2756		450	-	142	39,8	40,2		0,3194	500	-	167	42,7		44,8	0,3631	550	-	192		44,9	47,0	0,4069	560	-		197	45,4	47,5	0,4156	600		-	217	47,5	49,6	0,4506		630		-		232	49,1	51,2	0,4769	650	7	242	50,1	52,2	0,4944	700	32	267	52,7	54,8	0,5381	710	37	272	53,1	55,2	0,5314	750	57	292	55,9	59,1	0,5996	800	82	317	62,7	64,8	0,6971	200	-	17	30,1	30,2	0,1236	225	-	29	32,0	32,1	0,1505	250	-	42	33,7	33,8	0,1774	280	-	57	35,8	35,9	0,2096	300	-	67	37,0	37,4	0,2311	315	-	74	38,0	38,4	0,2473	355	-	94	40,6	41,0	0,2903	400	-	117	43,3	43,7	0,3386	450	-	142	46,4	48,5	0,3924	500	-	167	49,7	51,8	0,4461	550	-	192	52,2	54,3	0,4999	560	-	197	52,8	54,9	0,5106	600	-	217	55,3	57,4	0,5536	630	-	232	57,1	59,2	0,5859	650	7	242	58,3	60,4	0,6074	700	32	267	61,4	63,5	0,6611	710	37	272	62,0	64,1	0,6719	750	57	292	64,4	66,5	0,7149	800	82	317	67,5	69,6	0,7686	200	-	17	33,1	33,2	0,1409	225	-	29	35,1	35,2	0,1715	250	-	42	37,0	37,4	0,2021	280	-	57	39,3	39,7	0,2389	300	-	67	40,5	40,9	0,2634	315	-	74	41,5	41,9	0,2818	355	-	94	44,3	44,7	0,3308	400	-	117	47,3	47,7	0,3859	450	-	142	50,5	52,6	0,4471	500	-	167	54,1	56,2	0,5084	550	-	192	56,9	59,0	0,5696	560	-	197	57,5	59,6	0,5819	600	-	217	60,2	62,3	0,6309																																																																																				
	250	-	42	26,4	26,5	0,1279	280		-	57	28,0	28,1	0,1511	300		-	67	29,2	29,3	0,1666	800 x	315	-	74	29,9	30,0	0,1783		355	-	94	32,1	32,5	0,2093		400	-	117	34,2	34,6	0,2441		450	-	142	36,6	37,0	0,2829	500		-	167	39,2	39,6	0,3216	550		-	192	41,2	43,3	0,3604	560		-	197	41,7	43,8	0,3681	600		-	217	43,6	45,7	0,3991	630		-	232	45,1	47,2	0,4224	650		7	242	46,0	48,1	0,4379	700		32	267	48,4	50,5	0,4766	710		37	272	48,9	51,0	0,4844	750		57	292	50,9	53,0	0,5154	800		82	317	53,3	55,4	0,5541	900 x		200	-	17	25,8	25,9			0,1006	225	-	29	27,4			27,5	0,1225		250	-	42	28,9		29,0	0,1444	280	-	57	30,6	30,7	0,1706		300	-	67	31,8	31,9		0,1881	315	-	74	32,6		33,0	0,2013	355	-	94		34,9	35,3	0,2363	400	-		117	37,2	37,6	0,2756	450		-	142	39,8	40,2	0,3194		500	-	167	42,7	44,8		0,3631	550	-	192	44,9		47,0	0,4069	560	-	197		45,4	47,5	0,4156	600	-		217	47,5	49,6	0,4506	630		-	232	49,1	51,2	0,4769		650		7	242	50,1	52,2	0,4944	700	32	267	52,7	54,8	0,5381	710	37	272	53,1	55,2	0,5314	750	57	292	55,9	59,1	0,5996	800	82	317	62,7	64,8	0,6971	200	-	17	30,1	30,2	0,1236	225	-	29	32,0	32,1	0,1505	250	-	42	33,7	33,8	0,1774	280	-	57	35,8	35,9	0,2096	300	-	67	37,0	37,4	0,2311	315	-	74	38,0	38,4	0,2473	355	-	94	40,6	41,0	0,2903	400	-	117	43,3	43,7	0,3386	450	-	142	46,4	48,5	0,3924	500	-	167	49,7	51,8	0,4461	550	-	192	52,2	54,3	0,4999	560	-	197	52,8	54,9	0,5106	600	-	217	55,3	57,4	0,5536	630	-	232	57,1	59,2	0,5859	650	7	242	58,3	60,4	0,6074	700	32	267	61,4	63,5	0,6611	710	37	272	62,0	64,1	0,6719	750	57	292	64,4	66,5	0,7149	800	82	317	67,5	69,6	0,7686	200	-	17	33,1	33,2	0,1409	225	-	29	35,1	35,2	0,1715	250	-	42	37,0	37,4	0,2021	280	-	57	39,3	39,7	0,2389	300	-	67	40,5	40,9	0,2634	315	-	74	41,5	41,9	0,2818	355	-	94	44,3	44,7	0,3308	400	-	117	47,3	47,7	0,3859	450	-	142	50,5	52,6	0,4471	500	-	167	54,1	56,2	0,5084	550	-	192	56,9	59,0	0,5696	560	-	197	57,5	59,6	0,5819	600	-	217	60,2	62,3	0,6309																																																																																											
	280	-	57	28,0	28,1	0,1511	300		-	67	29,2	29,3	0,1666	800 x	315	-	74	29,9	30,0	0,1783		355	-	94	32,1	32,5	0,2093		400	-	117	34,2	34,6	0,2441		450	-	142	36,6	37,0	0,2829		500	-	167	39,2	39,6	0,3216	550		-	192	41,2	43,3	0,3604	560		-	197	41,7	43,8	0,3681	600		-	217	43,6	45,7	0,3991	630		-	232	45,1	47,2	0,4224	650		7	242	46,0	48,1	0,4379	700		32	267	48,4	50,5	0,4766	710		37	272	48,9	51,0	0,4844	750		57	292	50,9	53,0	0,5154	800		82	317	53,3	55,4	0,5541	900 x		200	-	17	25,8	25,9			0,1006	225	-	29	27,4			27,5	0,1225	250	-	42			28,9	29,0	0,1444	280	-	57	30,6		30,7	0,1706	300	-	67	31,8	31,9	0,1881		315	-	74	32,6	33,0		0,2013	355	-	94	34,9		35,3	0,2363	400	-	117		37,2	37,6	0,2756	450	-		142	39,8	40,2	0,3194	500		-	167	42,7	44,8	0,3631		550	-	192	44,9	47,0		0,4069	560	-	197	45,4		47,5	0,4156	600	-	217		47,5	49,6	0,4506	630	-		232	49,1	51,2	0,4769	650		7	242	50,1	52,2	0,4944		700	32	267	52,7	54,8	0,5381	710	37	272	53,1	55,2	0,5314	750	57	292	55,9	59,1	0,5996	800	82	317	62,7	64,8	0,6971	200	-	17	30,1	30,2	0,1236	225	-	29	32,0	32,1	0,1505	250	-	42	33,7	33,8	0,1774	280	-	57	35,8	35,9	0,2096	300	-	67	37,0	37,4	0,2311	315	-	74	38,0	38,4	0,2473	355	-	94	40,6	41,0	0,2903	400	-	117	43,3	43,7	0,3386	450	-	142	46,4	48,5	0,3924	500	-	167	49,7	51,8	0,4461	550	-	192	52,2	54,3	0,4999	560	-	197	52,8	54,9	0,5106	600	-	217	55,3	57,4	0,5536	630	-	232	57,1	59,2	0,5859	650	7	242	58,3	60,4	0,6074	700	32	267	61,4	63,5	0,6611	710	37	272	62,0	64,1	0,6719	750	57	292	64,4	66,5	0,7149	800	82	317	67,5	69,6	0,7686	200	-	17	33,1	33,2	0,1409	225	-	29	35,1	35,2	0,1715	250	-	42	37,0	37,4	0,2021	280	-	57	39,3	39,7	0,2389	300	-	67	40,5	40,9	0,2634	315	-	74	41,5	41,9	0,2818	355	-	94	44,3	44,7	0,3308	400	-	117	47,3	47,7	0,3859	450	-	142	50,5	52,6	0,4471	500	-	167	54,1	56,2	0,5084	550	-	192	56,9	59,0	0,5696	560	-	197	57,5	59,6	0,5819	600	-	217	60,2	62,3	0,6309																																																																																																		
	300	-	67	29,2	29,3	0,1666	800 x	315	-	74	29,9	30,0	0,1783		355	-	94	32,1	32,5	0,2093		400	-	117	34,2	34,6	0,2441		450	-	142	36,6	37,0	0,2829		500	-	167	39,2	39,6	0,3216		550	-	192	41,2	43,3	0,3604	560		-	197	41,7	43,8	0,3681	600		-	217	43,6	45,7	0,3991	630		-	232	45,1	47,2	0,4224	650		7	242	46,0	48,1	0,4379	700		32	267	48,4	50,5	0,4766	710		37	272	48,9	51,0	0,4844	750		57	292	50,9	53,0	0,5154	800		82	317	53,3	55,4	0,5541	900 x		200	-	17	25,8	25,9			0,1006	225	-	29	27,4			27,5	0,1225	250	-	42			28,9	29,0	0,1444	280	-		57	30,6	30,7	0,1706	300	-	67	31,8		31,9	0,1881	315	-	74	32,6	33,0	0,2013		355	-	94	34,9	35,3		0,2363	400	-	117	37,2		37,6	0,2756	450	-	142		39,8	40,2	0,3194	500	-		167	42,7	44,8	0,3631	550		-	192	44,9	47,0	0,4069		560	-	197	45,4	47,5		0,4156	600	-	217	47,5		49,6	0,4506	630	-	232		49,1	51,2	0,4769	650	7		242	50,1	52,2	0,4944	700		32	267	52,7	54,8	0,5381	710	37	272	53,1	55,2	0,5314	750	57	292	55,9	59,1	0,5996	800	82	317	62,7	64,8	0,6971	200	-	17	30,1	30,2	0,1236	225	-	29	32,0	32,1	0,1505	250	-	42	33,7	33,8	0,1774	280	-	57	35,8	35,9	0,2096	300	-	67	37,0	37,4	0,2311	315	-	74	38,0	38,4	0,2473	355	-	94	40,6	41,0	0,2903	400	-	117	43,3	43,7	0,3386	450	-	142	46,4	48,5	0,3924	500	-	167	49,7	51,8	0,4461	550	-	192	52,2	54,3	0,4999	560	-	197	52,8	54,9	0,5106	600	-	217	55,3	57,4	0,5536	630	-	232	57,1	59,2	0,5859	650	7	242	58,3	60,4	0,6074	700	32	267	61,4	63,5	0,6611	710	37	272	62,0	64,1	0,6719	750	57	292	64,4	66,5	0,7149	800	82	317	67,5	69,6	0,7686	200	-	17	33,1	33,2	0,1409	225	-	29	35,1	35,2	0,1715	250	-	42	37,0	37,4	0,2021	280	-	57	39,3	39,7	0,2389	300	-	67	40,5	40,9	0,2634	315	-	74	41,5	41,9	0,2818	355	-	94	44,3	44,7	0,3308	400	-	117	47,3	47,7	0,3859	450	-	142	50,5	52,6	0,4471	500	-	167	54,1	56,2	0,5084	550	-	192	56,9	59,0	0,5696	560	-	197	57,5	59,6	0,5819	600	-	217	60,2	62,3	0,6309																																																																																																									
800 x	315	-	74	29,9	30,0	0,1783		355	-	94	32,1	32,5	0,2093		400	-	117	34,2	34,6	0,2441		450	-	142	36,6	37,0	0,2829		500	-	167	39,2	39,6	0,3216		550	-	192	41,2	43,3	0,3604		560	-	197	41,7	43,8	0,3681	600		-	217	43,6	45,7	0,3991	630		-	232	45,1	47,2	0,4224	650		7	242	46,0	48,1	0,4379	700		32	267	48,4	50,5	0,4766	710		37	272	48,9	51,0	0,4844	750		57	292	50,9	53,0	0,5154	800		82	317	53,3	55,4	0,5541	900 x		200	-	17	25,8	25,9			0,1006	225	-	29	27,4			27,5	0,1225	250	-	42			28,9	29,0	0,1444	280	-		57	30,6	30,7	0,1706	300	-		67	31,8	31,9	0,1881	315	-	74	32,6		33,0	0,2013	355	-	94	34,9	35,3	0,2363		400	-	117	37,2	37,6		0,2756	450	-	142	39,8		40,2	0,3194	500	-	167		42,7	44,8	0,3631	550	-		192	44,9	47,0	0,4069	560		-	197	45,4	47,5	0,4156		600	-	217	47,5	49,6		0,4506	630	-	232	49,1		51,2	0,4769	650	7	242		50,1	52,2	0,4944	700	32		267	52,7	54,8	0,5381	710	37	272	53,1	55,2	0,5314	750	57	292	55,9	59,1	0,5996	800	82	317	62,7	64,8	0,6971	200	-	17	30,1	30,2	0,1236	225	-	29	32,0	32,1	0,1505	250	-	42	33,7	33,8	0,1774	280	-	57	35,8	35,9	0,2096	300	-	67	37,0	37,4	0,2311	315	-	74	38,0	38,4	0,2473	355	-	94	40,6	41,0	0,2903	400	-	117	43,3	43,7	0,3386	450	-	142	46,4	48,5	0,3924	500	-	167	49,7	51,8	0,4461	550	-	192	52,2	54,3	0,4999	560	-	197	52,8	54,9	0,5106	600	-	217	55,3	57,4	0,5536	630	-	232	57,1	59,2	0,5859	650	7	242	58,3	60,4	0,6074	700	32	267	61,4	63,5	0,6611	710	37	272	62,0	64,1	0,6719	750	57	292	64,4	66,5	0,7149	800	82	317	67,5	69,6	0,7686	200	-	17	33,1	33,2	0,1409	225	-	29	35,1	35,2	0,1715	250	-	42	37,0	37,4	0,2021	280	-	57	39,3	39,7	0,2389	300	-	67	40,5	40,9	0,2634	315	-	74	41,5	41,9	0,2818	355	-	94	44,3	44,7	0,3308	400	-	117	47,3	47,7	0,3859	450	-	142	50,5	52,6	0,4471	500	-	167	54,1	56,2	0,5084	550	-	192	56,9	59,0	0,5696	560	-	197	57,5	59,6	0,5819	600	-	217	60,2	62,3	0,6309																																																																																																																
	355	-	94	32,1	32,5	0,2093		400	-	117	34,2	34,6	0,2441		450	-	142	36,6	37,0	0,2829		500	-	167	39,2	39,6	0,3216		550	-	192	41,2	43,3	0,3604		560	-	197	41,7	43,8	0,3681		600	-	217	43,6	45,7	0,3991	630		-	232	45,1	47,2	0,4224	650		7	242	46,0	48,1	0,4379	700		32	267	48,4	50,5	0,4766	710		37	272	48,9	51,0	0,4844	750		57	292	50,9	53,0	0,5154	800		82	317	53,3	55,4	0,5541	900 x		200	-	17	25,8	25,9			0,1006	225	-	29	27,4			27,5	0,1225	250	-	42			28,9	29,0	0,1444	280	-		57	30,6	30,7	0,1706	300	-		67	31,8	31,9	0,1881	315	-		74	32,6	33,0	0,2013	355	-	94	34,9		35,3	0,2363	400	-	117	37,2	37,6	0,2756		450	-	142	39,8	40,2		0,3194	500	-	167	42,7		44,8	0,3631	550	-	192		44,9	47,0	0,4069	560	-		197	45,4	47,5	0,4156	600		-	217	47,5	49,6	0,4506		630	-	232	49,1	51,2		0,4769	650	7	242	50,1		52,2	0,4944	700	32	267		52,7	54,8	0,5381	710	37	272	53,1	55,2	0,5314	750	57	292	55,9	59,1	0,5996	800	82	317	62,7	64,8	0,6971	200	-	17	30,1	30,2	0,1236	225	-	29	32,0	32,1	0,1505	250	-	42	33,7	33,8	0,1774	280	-	57	35,8	35,9	0,2096	300	-	67	37,0	37,4	0,2311	315	-	74	38,0	38,4	0,2473	355	-	94	40,6	41,0	0,2903	400	-	117	43,3	43,7	0,3386	450	-	142	46,4	48,5	0,3924	500	-	167	49,7	51,8	0,4461	550	-	192	52,2	54,3	0,4999	560	-	197	52,8	54,9	0,5106	600	-	217	55,3	57,4	0,5536	630	-	232	57,1	59,2	0,5859	650	7	242	58,3	60,4	0,6074	700	32	267	61,4	63,5	0,6611	710	37	272	62,0	64,1	0,6719	750	57	292	64,4	66,5	0,7149	800	82	317	67,5	69,6	0,7686	200	-	17	33,1	33,2	0,1409	225	-	29	35,1	35,2	0,1715	250	-	42	37,0	37,4	0,2021	280	-	57	39,3	39,7	0,2389	300	-	67	40,5	40,9	0,2634	315	-	74	41,5	41,9	0,2818	355	-	94	44,3	44,7	0,3308	400	-	117	47,3	47,7	0,3859	450	-	142	50,5	52,6	0,4471	500	-	167	54,1	56,2	0,5084	550	-	192	56,9	59,0	0,5696	560	-	197	57,5	59,6	0,5819	600	-	217	60,2	62,3	0,6309																																																																																																																							
	400	-	117	34,2	34,6	0,2441		450	-	142	36,6	37,0	0,2829		500	-	167	39,2	39,6	0,3216		550	-	192	41,2	43,3	0,3604		560	-	197	41,7	43,8	0,3681		600	-	217	43,6	45,7	0,3991		630	-	232	45,1	47,2	0,4224	650		7	242	46,0	48,1	0,4379	700		32	267	48,4	50,5	0,4766	710		37	272	48,9	51,0	0,4844	750		57	292	50,9	53,0	0,5154	800		82	317	53,3	55,4	0,5541	900 x		200	-	17	25,8	25,9			0,1006	225	-	29	27,4			27,5	0,1225	250	-	42			28,9	29,0	0,1444	280	-		57	30,6	30,7	0,1706	300	-		67	31,8	31,9	0,1881	315	-		74	32,6	33,0	0,2013	355	-		94	34,9	35,3	0,2363	400	-	117	37,2		37,6	0,2756	450	-	142	39,8	40,2	0,3194		500	-	167	42,7	44,8		0,3631	550	-	192	44,9		47,0	0,4069	560	-	197		45,4	47,5	0,4156	600	-		217	47,5	49,6	0,4506	630		-	232	49,1	51,2	0,4769		650	7	242	50,1	52,2		0,4944	700	32	267	52,7		54,8	0,5381	710	37	272	53,1	55,2	0,5314	750	57	292	55,9	59,1	0,5996	800	82	317	62,7	64,8	0,6971	200	-	17	30,1	30,2	0,1236	225	-	29	32,0	32,1	0,1505	250	-	42	33,7	33,8	0,1774	280	-	57	35,8	35,9	0,2096	300	-	67	37,0	37,4	0,2311	315	-	74	38,0	38,4	0,2473	355	-	94	40,6	41,0	0,2903	400	-	117	43,3	43,7	0,3386	450	-	142	46,4	48,5	0,3924	500	-	167	49,7	51,8	0,4461	550	-	192	52,2	54,3	0,4999	560	-	197	52,8	54,9	0,5106	600	-	217	55,3	57,4	0,5536	630	-	232	57,1	59,2	0,5859	650	7	242	58,3	60,4	0,6074	700	32	267	61,4	63,5	0,6611	710	37	272	62,0	64,1	0,6719	750	57	292	64,4	66,5	0,7149	800	82	317	67,5	69,6	0,7686	200	-	17	33,1	33,2	0,1409	225	-	29	35,1	35,2	0,1715	250	-	42	37,0	37,4	0,2021	280	-	57	39,3	39,7	0,2389	300	-	67	40,5	40,9	0,2634	315	-	74	41,5	41,9	0,2818	355	-	94	44,3	44,7	0,3308	400	-	117	47,3	47,7	0,3859	450	-	142	50,5	52,6	0,4471	500	-	167	54,1	56,2	0,5084	550	-	192	56,9	59,0	0,5696	560	-	197	57,5	59,6	0,5819	600	-	217	60,2	62,3	0,6309																																																																																																																														
	450	-	142	36,6	37,0	0,2829		500	-	167	39,2	39,6	0,3216		550	-	192	41,2	43,3	0,3604		560	-	197	41,7	43,8	0,3681		600	-	217	43,6	45,7	0,3991		630	-	232	45,1	47,2	0,4224		650	7	242	46,0	48,1	0,4379	700		32	267	48,4	50,5	0,4766	710		37	272	48,9	51,0	0,4844	750		57	292	50,9	53,0	0,5154	800		82	317	53,3	55,4	0,5541	900 x		200	-	17	25,8	25,9			0,1006	225	-	29	27,4			27,5	0,1225	250	-	42			28,9	29,0	0,1444	280	-		57	30,6	30,7	0,1706	300	-		67	31,8	31,9	0,1881	315	-		74	32,6	33,0	0,2013	355	-		94	34,9	35,3	0,2363	400	-		117	37,2	37,6	0,2756	450	-	142	39,8		40,2	0,3194	500	-	167	42,7	44,8	0,3631		550	-	192	44,9	47,0		0,4069	560	-	197	45,4		47,5	0,4156	600	-	217		47,5	49,6	0,4506	630	-		232	49,1	51,2	0,4769	650		7	242	50,1	52,2	0,4944		700	32	267	52,7	54,8		0,5381	710	37	272	53,1	55,2	0,5314	750	57	292	55,9	59,1	0,5996	800	82	317	62,7	64,8	0,6971	200	-	17	30,1	30,2	0,1236	225	-	29	32,0	32,1	0,1505	250	-	42	33,7	33,8	0,1774	280	-	57	35,8	35,9	0,2096	300	-	67	37,0	37,4	0,2311	315	-	74	38,0	38,4	0,2473	355	-	94	40,6	41,0	0,2903	400	-	117	43,3	43,7	0,3386	450	-	142	46,4	48,5	0,3924	500	-	167	49,7	51,8	0,4461	550	-	192	52,2	54,3	0,4999	560	-	197	52,8	54,9	0,5106	600	-	217	55,3	57,4	0,5536	630	-	232	57,1	59,2	0,5859	650	7	242	58,3	60,4	0,6074	700	32	267	61,4	63,5	0,6611	710	37	272	62,0	64,1	0,6719	750	57	292	64,4	66,5	0,7149	800	82	317	67,5	69,6	0,7686	200	-	17	33,1	33,2	0,1409	225	-	29	35,1	35,2	0,1715	250	-	42	37,0	37,4	0,2021	280	-	57	39,3	39,7	0,2389	300	-	67	40,5	40,9	0,2634	315	-	74	41,5	41,9	0,2818	355	-	94	44,3	44,7	0,3308	400	-	117	47,3	47,7	0,3859	450	-	142	50,5	52,6	0,4471	500	-	167	54,1	56,2	0,5084	550	-	192	56,9	59,0	0,5696	560	-	197	57,5	59,6	0,5819	600	-	217	60,2	62,3	0,6309																																																																																																																																					
	500	-	167	39,2	39,6	0,3216		550	-	192	41,2	43,3	0,3604		560	-	197	41,7	43,8	0,3681		600	-	217	43,6	45,7	0,3991		630	-	232	45,1	47,2	0,4224		650	7	242	46,0	48,1	0,4379		700	32	267	48,4	50,5	0,4766	710		37	272	48,9	51,0	0,4844	750		57	292	50,9	53,0	0,5154	800		82	317	53,3	55,4	0,5541	900 x		200	-	17	25,8	25,9			0,1006	225	-	29	27,4			27,5	0,1225	250	-	42			28,9	29,0	0,1444	280	-		57	30,6	30,7	0,1706	300	-		67	31,8	31,9	0,1881	315	-		74	32,6	33,0	0,2013	355	-		94	34,9	35,3	0,2363	400	-		117	37,2	37,6	0,2756	450	-		142	39,8	40,2	0,3194	500	-	167	42,7		44,8	0,3631	550	-	192	44,9	47,0	0,4069		560	-	197	45,4	47,5		0,4156	600	-	217	47,5		49,6	0,4506	630	-	232		49,1	51,2	0,4769	650	7		242	50,1	52,2	0,4944	700		32	267	52,7	54,8	0,5381		710	37	272	53,1	55,2	0,5314	750	57	292	55,9	59,1	0,5996	800	82	317	62,7	64,8	0,6971	200	-	17	30,1	30,2	0,1236	225	-	29	32,0	32,1	0,1505	250	-	42	33,7	33,8	0,1774	280	-	57	35,8	35,9	0,2096	300	-	67	37,0	37,4	0,2311	315	-	74	38,0	38,4	0,2473	355	-	94	40,6	41,0	0,2903	400	-	117	43,3	43,7	0,3386	450	-	142	46,4	48,5	0,3924	500	-	167	49,7	51,8	0,4461	550	-	192	52,2	54,3	0,4999	560	-	197	52,8	54,9	0,5106	600	-	217	55,3	57,4	0,5536	630	-	232	57,1	59,2	0,5859	650	7	242	58,3	60,4	0,6074	700	32	267	61,4	63,5	0,6611	710	37	272	62,0	64,1	0,6719	750	57	292	64,4	66,5	0,7149	800	82	317	67,5	69,6	0,7686	200	-	17	33,1	33,2	0,1409	225	-	29	35,1	35,2	0,1715	250	-	42	37,0	37,4	0,2021	280	-	57	39,3	39,7	0,2389	300	-	67	40,5	40,9	0,2634	315	-	74	41,5	41,9	0,2818	355	-	94	44,3	44,7	0,3308	400	-	117	47,3	47,7	0,3859	450	-	142	50,5	52,6	0,4471	500	-	167	54,1	56,2	0,5084	550	-	192	56,9	59,0	0,5696	560	-	197	57,5	59,6	0,5819	600	-	217	60,2	62,3	0,6309																																																																																																																																												
	550	-	192	41,2	43,3	0,3604		560	-	197	41,7	43,8	0,3681		600	-	217	43,6	45,7	0,3991		630	-	232	45,1	47,2	0,4224		650	7	242	46,0	48,1	0,4379		700	32	267	48,4	50,5	0,4766		710	37	272	48,9	51,0	0,4844	750		57	292	50,9	53,0	0,5154	800		82	317	53,3	55,4	0,5541	900 x		200	-	17	25,8	25,9			0,1006	225	-	29	27,4			27,5	0,1225	250	-	42			28,9	29,0	0,1444	280	-		57	30,6	30,7	0,1706	300	-		67	31,8	31,9	0,1881	315	-		74	32,6	33,0	0,2013	355	-		94	34,9	35,3	0,2363	400	-		117	37,2	37,6	0,2756	450	-		142	39,8	40,2	0,3194	500	-		167	42,7	44,8	0,3631	550	-	192	44,9		47,0	0,4069	560	-	197	45,4	47,5	0,4156		600	-	217	47,5	49,6		0,4506	630	-	232	49,1		51,2	0,4769	650	7	242		50,1	52,2	0,4944	700	32		267	52,7	54,8	0,5381	710		37	272	53,1	55,2	0,5314	750	57	292	55,9	59,1	0,5996	800	82	317	62,7	64,8	0,6971	200	-	17	30,1	30,2	0,1236	225	-	29	32,0	32,1	0,1505	250	-	42	33,7	33,8	0,1774	280	-	57	35,8	35,9	0,2096	300	-	67	37,0	37,4	0,2311	315	-	74	38,0	38,4	0,2473	355	-	94	40,6	41,0	0,2903	400	-	117	43,3	43,7	0,3386	450	-	142	46,4	48,5	0,3924	500	-	167	49,7	51,8	0,4461	550	-	192	52,2	54,3	0,4999	560	-	197	52,8	54,9	0,5106	600	-	217	55,3	57,4	0,5536	630	-	232	57,1	59,2	0,5859	650	7	242	58,3	60,4	0,6074	700	32	267	61,4	63,5	0,6611	710	37	272	62,0	64,1	0,6719	750	57	292	64,4	66,5	0,7149	800	82	317	67,5	69,6	0,7686	200	-	17	33,1	33,2	0,1409	225	-	29	35,1	35,2	0,1715	250	-	42	37,0	37,4	0,2021	280	-	57	39,3	39,7	0,2389	300	-	67	40,5	40,9	0,2634	315	-	74	41,5	41,9	0,2818	355	-	94	44,3	44,7	0,3308	400	-	117	47,3	47,7	0,3859	450	-	142	50,5	52,6	0,4471	500	-	167	54,1	56,2	0,5084	550	-	192	56,9	59,0	0,5696	560	-	197	57,5	59,6	0,5819	600	-	217	60,2	62,3	0,6309																																																																																																																																																			
	560	-	197	41,7	43,8	0,3681		600	-	217	43,6	45,7	0,3991		630	-	232	45,1	47,2	0,4224		650	7	242	46,0	48,1	0,4379		700	32	267	48,4	50,5	0,4766		710	37	272	48,9	51,0	0,4844		750	57	292	50,9	53,0	0,5154	800		82	317	53,3	55,4	0,5541	900 x		200	-	17	25,8	25,9			0,1006	225	-	29	27,4			27,5	0,1225	250	-	42			28,9	29,0	0,1444	280	-		57	30,6	30,7	0,1706	300	-		67	31,8	31,9	0,1881	315	-		74	32,6	33,0	0,2013	355	-		94	34,9	35,3	0,2363	400	-		117	37,2	37,6	0,2756	450	-		142	39,8	40,2	0,3194	500	-		167	42,7	44,8	0,3631	550	-		192	44,9	47,0	0,4069	560	-	197	45,4		47,5	0,4156	600	-	217	47,5	49,6	0,4506		630	-	232	49,1	51,2		0,4769	650	7	242	50,1		52,2	0,4944	700	32	267		52,7	54,8	0,5381	710	37		272	53,1	55,2	0,5314	750	57	292	55,9	59,1	0,5996	800	82	317	62,7	64,8	0,6971	200	-	17	30,1	30,2	0,1236	225	-	29	32,0	32,1	0,1505	250	-	42	33,7	33,8	0,1774	280	-	57	35,8	35,9	0,2096	300	-	67	37,0	37,4	0,2311	315	-	74	38,0	38,4	0,2473	355	-	94	40,6	41,0	0,2903	400	-	117	43,3	43,7	0,3386	450	-	142	46,4	48,5	0,3924	500	-	167	49,7	51,8	0,4461	550	-	192	52,2	54,3	0,4999	560	-	197	52,8	54,9	0,5106	600	-	217	55,3	57,4	0,5536	630	-	232	57,1	59,2	0,5859	650	7	242	58,3	60,4	0,6074	700	32	267	61,4	63,5	0,6611	710	37	272	62,0	64,1	0,6719	750	57	292	64,4	66,5	0,7149	800	82	317	67,5	69,6	0,7686	200	-	17	33,1	33,2	0,1409	225	-	29	35,1	35,2	0,1715	250	-	42	37,0	37,4	0,2021	280	-	57	39,3	39,7	0,2389	300	-	67	40,5	40,9	0,2634	315	-	74	41,5	41,9	0,2818	355	-	94	44,3	44,7	0,3308	400	-	117	47,3	47,7	0,3859	450	-	142	50,5	52,6	0,4471	500	-	167	54,1	56,2	0,5084	550	-	192	56,9	59,0	0,5696	560	-	197	57,5	59,6	0,5819	600	-	217	60,2	62,3	0,6309																																																																																																																																																										
	600	-	217	43,6	45,7	0,3991		630	-	232	45,1	47,2	0,4224		650	7	242	46,0	48,1	0,4379		700	32	267	48,4	50,5	0,4766		710	37	272	48,9	51,0	0,4844		750	57	292	50,9	53,0	0,5154		800	82	317	53,3	55,4	0,5541	900 x		200	-	17	25,8	25,9			0,1006	225	-	29	27,4			27,5	0,1225	250	-	42			28,9	29,0	0,1444	280	-		57	30,6	30,7	0,1706	300	-		67	31,8	31,9	0,1881	315	-		74	32,6	33,0	0,2013	355	-		94	34,9	35,3	0,2363	400	-		117	37,2	37,6	0,2756	450	-		142	39,8	40,2	0,3194	500	-		167	42,7	44,8	0,3631	550	-		192	44,9	47,0	0,4069	560	-		197	45,4	47,5	0,4156	600	-	217	47,5		49,6	0,4506	630	-	232	49,1	51,2	0,4769		650	7	242	50,1	52,2		0,4944	700	32	267	52,7		54,8	0,5381	710	37	272		53,1	55,2	0,5314	750	57	292	55,9	59,1	0,5996	800	82	317	62,7	64,8	0,6971	200	-	17	30,1	30,2	0,1236	225	-	29	32,0	32,1	0,1505	250	-	42	33,7	33,8	0,1774	280	-	57	35,8	35,9	0,2096	300	-	67	37,0	37,4	0,2311	315	-	74	38,0	38,4	0,2473	355	-	94	40,6	41,0	0,2903	400	-	117	43,3	43,7	0,3386	450	-	142	46,4	48,5	0,3924	500	-	167	49,7	51,8	0,4461	550	-	192	52,2	54,3	0,4999	560	-	197	52,8	54,9	0,5106	600	-	217	55,3	57,4	0,5536	630	-	232	57,1	59,2	0,5859	650	7	242	58,3	60,4	0,6074	700	32	267	61,4	63,5	0,6611	710	37	272	62,0	64,1	0,6719	750	57	292	64,4	66,5	0,7149	800	82	317	67,5	69,6	0,7686	200	-	17	33,1	33,2	0,1409	225	-	29	35,1	35,2	0,1715	250	-	42	37,0	37,4	0,2021	280	-	57	39,3	39,7	0,2389	300	-	67	40,5	40,9	0,2634	315	-	74	41,5	41,9	0,2818	355	-	94	44,3	44,7	0,3308	400	-	117	47,3	47,7	0,3859	450	-	142	50,5	52,6	0,4471	500	-	167	54,1	56,2	0,5084	550	-	192	56,9	59,0	0,5696	560	-	197	57,5	59,6	0,5819	600	-	217	60,2	62,3	0,6309																																																																																																																																																																	
	630	-	232	45,1	47,2	0,4224		650	7	242	46,0	48,1	0,4379		700	32	267	48,4	50,5	0,4766		710	37	272	48,9	51,0	0,4844		750	57	292	50,9	53,0	0,5154		800	82	317	53,3	55,4	0,5541		900 x	200	-	17	25,8	25,9			0,1006	225	-	29	27,4			27,5	0,1225	250	-	42			28,9	29,0	0,1444	280	-		57	30,6	30,7	0,1706	300	-		67	31,8	31,9	0,1881	315	-		74	32,6	33,0	0,2013	355	-		94	34,9	35,3	0,2363	400	-		117	37,2	37,6	0,2756	450	-		142	39,8	40,2	0,3194	500	-		167	42,7	44,8	0,3631	550	-		192	44,9	47,0	0,4069	560	-		197	45,4	47,5	0,4156	600	-		217	47,5	49,6	0,4506	630	-	232	49,1		51,2	0,4769	650	7	242	50,1	52,2	0,4944		700	32	267	52,7	54,8		0,5381	710	37	272	53,1		55,2	0,5314	750	57	292	55,9	59,1	0,5996	800	82	317	62,7	64,8	0,6971	200	-	17	30,1	30,2	0,1236	225	-	29	32,0	32,1	0,1505	250	-	42	33,7	33,8	0,1774	280	-	57	35,8	35,9	0,2096	300	-	67	37,0	37,4	0,2311	315	-	74	38,0	38,4	0,2473	355	-	94	40,6	41,0	0,2903	400	-	117	43,3	43,7	0,3386	450	-	142	46,4	48,5	0,3924	500	-	167	49,7	51,8	0,4461	550	-	192	52,2	54,3	0,4999	560	-	197	52,8	54,9	0,5106	600	-	217	55,3	57,4	0,5536	630	-	232	57,1	59,2	0,5859	650	7	242	58,3	60,4	0,6074	700	32	267	61,4	63,5	0,6611	710	37	272	62,0	64,1	0,6719	750	57	292	64,4	66,5	0,7149	800	82	317	67,5	69,6	0,7686	200	-	17	33,1	33,2	0,1409	225	-	29	35,1	35,2	0,1715	250	-	42	37,0	37,4	0,2021	280	-	57	39,3	39,7	0,2389	300	-	67	40,5	40,9	0,2634	315	-	74	41,5	41,9	0,2818	355	-	94	44,3	44,7	0,3308	400	-	117	47,3	47,7	0,3859	450	-	142	50,5	52,6	0,4471	500	-	167	54,1	56,2	0,5084	550	-	192	56,9	59,0	0,5696	560	-	197	57,5	59,6	0,5819	600	-	217	60,2	62,3	0,6309																																																																																																																																																																								
	650	7	242	46,0	48,1	0,4379		700	32	267	48,4	50,5	0,4766		710	37	272	48,9	51,0	0,4844		750	57	292	50,9	53,0	0,5154		800	82	317	53,3	55,4	0,5541		900 x	200	-	17	25,8	25,9			0,1006	225	-	29	27,4			27,5	0,1225	250	-	42			28,9	29,0	0,1444	280	-		57	30,6	30,7	0,1706	300	-		67	31,8	31,9	0,1881	315	-		74	32,6	33,0	0,2013	355	-		94	34,9	35,3	0,2363	400	-		117	37,2	37,6	0,2756	450	-		142	39,8	40,2	0,3194	500	-		167	42,7	44,8	0,3631	550	-		192	44,9	47,0	0,4069	560	-		197	45,4	47,5	0,4156	600	-		217	47,5	49,6	0,4506	630	-		232	49,1	51,2	0,4769	650	7	242	50,1		52,2	0,4944	700	32	267	52,7	54,8	0,5381		710	37	272	53,1	55,2		0,5314	750	57	292	55,9	59,1	0,5996	800	82	317	62,7	64,8	0,6971	200	-	17	30,1	30,2	0,1236	225	-	29	32,0	32,1	0,1505	250	-	42	33,7	33,8	0,1774	280	-	57	35,8	35,9	0,2096	300	-	67	37,0	37,4	0,2311	315	-	74	38,0	38,4	0,2473	355	-	94	40,6	41,0	0,2903	400	-	117	43,3	43,7	0,3386	450	-	142	46,4	48,5	0,3924	500	-	167	49,7	51,8	0,4461	550	-	192	52,2	54,3	0,4999	560	-	197	52,8	54,9	0,5106	600	-	217	55,3	57,4	0,5536	630	-	232	57,1	59,2	0,5859	650	7	242	58,3	60,4	0,6074	700	32	267	61,4	63,5	0,6611	710	37	272	62,0	64,1	0,6719	750	57	292	64,4	66,5	0,7149	800	82	317	67,5	69,6	0,7686	200	-	17	33,1	33,2	0,1409	225	-	29	35,1	35,2	0,1715	250	-	42	37,0	37,4	0,2021	280	-	57	39,3	39,7	0,2389	300	-	67	40,5	40,9	0,2634	315	-	74	41,5	41,9	0,2818	355	-	94	44,3	44,7	0,3308	400	-	117	47,3	47,7	0,3859	450	-	142	50,5	52,6	0,4471	500	-	167	54,1	56,2	0,5084	550	-	192	56,9	59,0	0,5696	560	-	197	57,5	59,6	0,5819	600	-	217	60,2	62,3	0,6309																																																																																																																																																																															
	700	32	267	48,4	50,5	0,4766		710	37	272	48,9	51,0	0,4844		750	57	292	50,9	53,0	0,5154		800	82	317	53,3	55,4	0,5541		900 x	200	-	17	25,8	25,9			0,1006	225	-	29	27,4			27,5	0,1225	250	-	42			28,9	29,0	0,1444	280	-		57	30,6	30,7	0,1706	300	-		67	31,8	31,9	0,1881	315	-		74	32,6	33,0	0,2013	355	-		94	34,9	35,3	0,2363	400	-		117	37,2	37,6	0,2756	450	-		142	39,8	40,2	0,3194	500	-		167	42,7	44,8	0,3631	550	-		192	44,9	47,0	0,4069	560	-		197	45,4	47,5	0,4156	600	-		217	47,5	49,6	0,4506	630	-		232	49,1	51,2	0,4769	650	7		242	50,1	52,2	0,4944	700	32	267	52,7		54,8	0,5381	710	37	272	53,1	55,2	0,5314		750	57	292	55,9	59,1	0,5996	800	82	317	62,7	64,8	0,6971	200	-	17	30,1	30,2	0,1236	225	-	29	32,0	32,1	0,1505	250	-	42	33,7	33,8	0,1774	280	-	57	35,8	35,9	0,2096	300	-	67	37,0	37,4	0,2311	315	-	74	38,0	38,4	0,2473	355	-	94	40,6	41,0	0,2903	400	-	117	43,3	43,7	0,3386	450	-	142	46,4	48,5	0,3924	500	-	167	49,7	51,8	0,4461	550	-	192	52,2	54,3	0,4999	560	-	197	52,8	54,9	0,5106	600	-	217	55,3	57,4	0,5536	630	-	232	57,1	59,2	0,5859	650	7	242	58,3	60,4	0,6074	700	32	267	61,4	63,5	0,6611	710	37	272	62,0	64,1	0,6719	750	57	292	64,4	66,5	0,7149	800	82	317	67,5	69,6	0,7686	200	-	17	33,1	33,2	0,1409	225	-	29	35,1	35,2	0,1715	250	-	42	37,0	37,4	0,2021	280	-	57	39,3	39,7	0,2389	300	-	67	40,5	40,9	0,2634	315	-	74	41,5	41,9	0,2818	355	-	94	44,3	44,7	0,3308	400	-	117	47,3	47,7	0,3859	450	-	142	50,5	52,6	0,4471	500	-	167	54,1	56,2	0,5084	550	-	192	56,9	59,0	0,5696	560	-	197	57,5	59,6	0,5819	600	-	217	60,2	62,3	0,6309																																																																																																																																																																																						
	710	37	272	48,9	51,0	0,4844		750	57	292	50,9	53,0	0,5154		800	82	317	53,3	55,4	0,5541		900 x	200	-	17	25,8	25,9			0,1006	225	-	29	27,4			27,5	0,1225	250	-	42			28,9	29,0	0,1444	280	-		57	30,6	30,7	0,1706	300	-		67	31,8	31,9	0,1881	315	-		74	32,6	33,0	0,2013	355	-		94	34,9	35,3	0,2363	400	-		117	37,2	37,6	0,2756	450	-		142	39,8	40,2	0,3194	500	-		167	42,7	44,8	0,3631	550	-		192	44,9	47,0	0,4069	560	-		197	45,4	47,5	0,4156	600	-		217	47,5	49,6	0,4506	630	-		232	49,1	51,2	0,4769	650	7		242	50,1	52,2	0,4944	700	32		267	52,7	54,8	0,5381	710	37	272	53,1		55,2	0,5314	750	57	292	55,9	59,1	0,5996	800	82	317	62,7	64,8	0,6971	200	-	17	30,1	30,2	0,1236	225	-	29	32,0	32,1	0,1505	250	-	42	33,7	33,8	0,1774	280	-	57	35,8	35,9	0,2096	300	-	67	37,0	37,4	0,2311	315	-	74	38,0	38,4	0,2473	355	-	94	40,6	41,0	0,2903	400	-	117	43,3	43,7	0,3386	450	-	142	46,4	48,5	0,3924	500	-	167	49,7	51,8	0,4461	550	-	192	52,2	54,3	0,4999	560	-	197	52,8	54,9	0,5106	600	-	217	55,3	57,4	0,5536	630	-	232	57,1	59,2	0,5859	650	7	242	58,3	60,4	0,6074	700	32	267	61,4	63,5	0,6611	710	37	272	62,0	64,1	0,6719	750	57	292	64,4	66,5	0,7149	800	82	317	67,5	69,6	0,7686	200	-	17	33,1	33,2	0,1409	225	-	29	35,1	35,2	0,1715	250	-	42	37,0	37,4	0,2021	280	-	57	39,3	39,7	0,2389	300	-	67	40,5	40,9	0,2634	315	-	74	41,5	41,9	0,2818	355	-	94	44,3	44,7	0,3308	400	-	117	47,3	47,7	0,3859	450	-	142	50,5	52,6	0,4471	500	-	167	54,1	56,2	0,5084	550	-	192	56,9	59,0	0,5696	560	-	197	57,5	59,6	0,5819	600	-	217	60,2	62,3	0,6309																																																																																																																																																																																													
	750	57	292	50,9	53,0	0,5154		800	82	317	53,3	55,4	0,5541		900 x	200	-	17	25,8	25,9			0,1006	225	-	29	27,4			27,5	0,1225	250	-	42			28,9	29,0	0,1444	280	-	57		30,6	30,7	0,1706	300	-		67	31,8	31,9	0,1881	315	-		74	32,6	33,0	0,2013	355	-		94	34,9	35,3	0,2363	400	-		117	37,2	37,6	0,2756	450	-		142	39,8	40,2	0,3194	500	-		167	42,7	44,8	0,3631	550	-		192	44,9	47,0	0,4069	560	-		197	45,4	47,5	0,4156	600	-		217	47,5	49,6	0,4506	630	-		232	49,1	51,2	0,4769	650	7		242	50,1	52,2	0,4944	700	32		267	52,7	54,8	0,5381	710	37		272	53,1	55,2	0,5314	750	57	292	55,9	59,1	0,5996	800	82	317	62,7	64,8	0,6971	200	-	17	30,1	30,2	0,1236	225	-	29	32,0	32,1	0,1505	250	-	42	33,7	33,8	0,1774	280	-	57	35,8	35,9	0,2096	300	-	67	37,0	37,4	0,2311	315	-	74	38,0	38,4	0,2473	355	-	94	40,6	41,0	0,2903	400	-	117	43,3	43,7	0,3386	450	-	142	46,4	48,5	0,3924	500	-	167	49,7	51,8	0,4461	550	-	192	52,2	54,3	0,4999	560	-	197	52,8	54,9	0,5106	600	-	217	55,3	57,4	0,5536	630	-	232	57,1	59,2	0,5859	650	7	242	58,3	60,4	0,6074	700	32	267	61,4	63,5	0,6611	710	37	272	62,0	64,1	0,6719	750	57	292	64,4	66,5	0,7149	800	82	317	67,5	69,6	0,7686	200	-	17	33,1	33,2	0,1409	225	-	29	35,1	35,2	0,1715	250	-	42	37,0	37,4	0,2021	280	-	57	39,3	39,7	0,2389	300	-	67	40,5	40,9	0,2634	315	-	74	41,5	41,9	0,2818	355	-	94	44,3	44,7	0,3308	400	-	117	47,3	47,7	0,3859	450	-	142	50,5	52,6	0,4471	500	-	167	54,1	56,2	0,5084	550	-	192	56,9	59,0	0,5696	560	-	197	57,5	59,6	0,5819	600	-	217	60,2	62,3	0,6309																																																																																																																																																																																																				
	800	82	317	53,3	55,4	0,5541		900 x	200	-	17	25,8	25,9			0,1006	225	-	29	27,4			27,5	0,1225	250	-	42			28,9	29,0	0,1444	280	-	57		30,6	30,7	0,1706	300	-	67		31,8	31,9	0,1881	315	-		74	32,6	33,0	0,2013	355	-		94	34,9	35,3	0,2363	400	-		117	37,2	37,6	0,2756	450	-		142	39,8	40,2	0,3194	500	-		167	42,7	44,8	0,3631	550	-		192	44,9	47,0	0,4069	560	-		197	45,4	47,5	0,4156	600	-		217	47,5	49,6	0,4506	630	-		232	49,1	51,2	0,4769	650	7		242	50,1	52,2	0,4944	700	32		267	52,7	54,8	0,5381	710	37		272	53,1	55,2	0,5314	750	57	292	55,9	59,1	0,5996	800	82	317	62,7	64,8	0,6971	200	-	17	30,1	30,2	0,1236	225	-	29	32,0	32,1	0,1505	250	-	42	33,7	33,8	0,1774	280	-	57	35,8	35,9	0,2096	300	-	67	37,0	37,4	0,2311	315	-	74	38,0	38,4	0,2473	355	-	94	40,6	41,0	0,2903	400	-	117	43,3	43,7	0,3386	450	-	142	46,4	48,5	0,3924	500	-	167	49,7	51,8	0,4461	550	-	192	52,2	54,3	0,4999	560	-	197	52,8	54,9	0,5106	600	-	217	55,3	57,4	0,5536	630	-	232	57,1	59,2	0,5859	650	7	242	58,3	60,4	0,6074	700	32	267	61,4	63,5	0,6611	710	37	272	62,0	64,1	0,6719	750	57	292	64,4	66,5	0,7149	800	82	317	67,5	69,6	0,7686	200	-	17	33,1	33,2	0,1409	225	-	29	35,1	35,2	0,1715	250	-	42	37,0	37,4	0,2021	280	-	57	39,3	39,7	0,2389	300	-	67	40,5	40,9	0,2634	315	-	74	41,5	41,9	0,2818	355	-	94	44,3	44,7	0,3308	400	-	117	47,3	47,7	0,3859	450	-	142	50,5	52,6	0,4471	500	-	167	54,1	56,2	0,5084	550	-	192	56,9	59,0	0,5696	560	-	197	57,5	59,6	0,5819	600	-	217	60,2	62,3	0,6309																																																																																																																																																																																																											
	900 x	200	-	17	25,8	25,9			0,1006	225	-	29	27,4			27,5	0,1225	250	-	42			28,9	29,0	0,1444	280	-	57		30,6	30,7	0,1706	300	-	67		31,8	31,9	0,1881	315	-	74		32,6	33,0	0,2013	355	-		94	34,9	35,3	0,2363	400	-		117	37,2	37,6	0,2756	450	-		142	39,8	40,2	0,3194	500	-		167	42,7	44,8	0,3631	550	-		192	44,9	47,0	0,4069	560	-		197	45,4	47,5	0,4156	600	-		217	47,5	49,6	0,4506	630	-		232	49,1	51,2	0,4769	650	7		242	50,1	52,2	0,4944	700	32		267	52,7	54,8	0,5381	710	37		272	53,1	55,2	0,5314	750	57	292	55,9	59,1	0,5996	800	82	317	62,7	64,8	0,6971	200	-	17	30,1	30,2	0,1236	225	-	29	32,0	32,1	0,1505	250	-	42	33,7	33,8	0,1774	280	-	57	35,8	35,9	0,2096	300	-	67	37,0	37,4	0,2311	315	-	74	38,0	38,4	0,2473	355	-	94	40,6	41,0	0,2903	400	-	117	43,3	43,7	0,3386	450	-	142	46,4	48,5	0,3924	500	-	167	49,7	51,8	0,4461	550	-	192	52,2	54,3	0,4999	560	-	197	52,8	54,9	0,5106	600	-	217	55,3	57,4	0,5536	630	-	232	57,1	59,2	0,5859	650	7	242	58,3	60,4	0,6074	700	32	267	61,4	63,5	0,6611	710	37	272	62,0	64,1	0,6719	750	57	292	64,4	66,5	0,7149	800	82	317	67,5	69,6	0,7686	200	-	17	33,1	33,2	0,1409	225	-	29	35,1	35,2	0,1715	250	-	42	37,0	37,4	0,2021	280	-	57	39,3	39,7	0,2389	300	-	67	40,5	40,9	0,2634	315	-	74	41,5	41,9	0,2818	355	-	94	44,3	44,7	0,3308	400	-	117	47,3	47,7	0,3859	450	-	142	50,5	52,6	0,4471	500	-	167	54,1	56,2	0,5084	550	-	192	56,9	59,0	0,5696	560	-	197	57,5	59,6	0,5819	600	-	217	60,2	62,3	0,6309																																																																																																																																																																																																																		
		225	-	29	27,4	27,5			0,1225	250	-	42	28,9			29,0	0,1444	280	-	57	30,6		30,7	0,1706	300	-	67	31,8		31,9	0,1881	315	-	74	32,6		33,0	0,2013	355	-	94	34,9		35,3	0,2363	400	-	117		37,2	37,6	0,2756	450	-	142		39,8	40,2	0,3194	500	-	167		42,7	44,8	0,3631	550	-	192		44,9	47,0	0,4069	560	-	197		45,4	47,5	0,4156	600	-	217		47,5	49,6	0,4506	630	-	232		49,1	51,2	0,4769	650	7	242		50,1	52,2	0,4944	700	32	267		52,7	54,8	0,5381	710	37	272		53,1	55,2	0,5314	750	57	292	55,9	59,1	0,5996	800	82	317	62,7	64,8	0,6971	200	-	17	30,1	30,2	0,1236	225	-	29	32,0	32,1	0,1505	250	-	42	33,7	33,8	0,1774	280	-	57	35,8	35,9	0,2096	300	-	67	37,0	37,4	0,2311	315	-	74	38,0	38,4	0,2473	355	-	94	40,6	41,0	0,2903	400	-	117	43,3	43,7	0,3386	450	-	142	46,4	48,5	0,3924	500	-	167	49,7	51,8	0,4461	550	-	192	52,2	54,3	0,4999	560	-	197	52,8	54,9	0,5106	600	-	217	55,3	57,4	0,5536	630	-	232	57,1	59,2	0,5859	650	7	242	58,3	60,4	0,6074	700	32	267	61,4	63,5	0,6611	710	37	272	62,0	64,1	0,6719	750	57	292	64,4	66,5	0,7149	800	82	317	67,5	69,6	0,7686	200	-	17	33,1	33,2	0,1409	225	-	29	35,1	35,2	0,1715	250	-	42	37,0	37,4	0,2021	280	-	57	39,3	39,7	0,2389	300	-	67	40,5	40,9	0,2634	315	-	74	41,5	41,9	0,2818	355	-	94	44,3	44,7	0,3308	400	-	117	47,3	47,7	0,3859	450	-	142	50,5	52,6	0,4471	500	-	167	54,1	56,2	0,5084	550	-	192	56,9	59,0	0,5696	560	-	197	57,5	59,6	0,5819	600	-	217	60,2	62,3	0,6309																																																																																																																																																																																																																										
		250	-	42	28,9	29,0			0,1444	280	-	57	30,6	30,7		0,1706	300	-	67	31,8	31,9		0,1881	315	-	74	32,6	33,0		0,2013	355	-	94	34,9	35,3		0,2363	400	-	117	37,2	37,6		0,2756	450	-	142	39,8		40,2	0,3194	500	-	167	42,7		44,8	0,3631	550	-	192	44,9		47,0	0,4069	560	-	197	45,4		47,5	0,4156	600	-	217	47,5		49,6	0,4506	630	-	232	49,1		51,2	0,4769	650	7	242	50,1		52,2	0,4944	700	32	267	52,7		54,8	0,5381	710	37	272	53,1		55,2	0,5314	750	57	292	55,9	59,1	0,5996	800	82	317	62,7	64,8	0,6971	200	-	17	30,1	30,2	0,1236	225	-	29	32,0	32,1	0,1505	250	-	42	33,7	33,8	0,1774	280	-	57	35,8	35,9	0,2096	300	-	67	37,0	37,4	0,2311	315	-	74	38,0	38,4	0,2473	355	-	94	40,6	41,0	0,2903	400	-	117	43,3	43,7	0,3386	450	-	142	46,4	48,5	0,3924	500	-	167	49,7	51,8	0,4461	550	-	192	52,2	54,3	0,4999	560	-	197	52,8	54,9	0,5106	600	-	217	55,3	57,4	0,5536	630	-	232	57,1	59,2	0,5859	650	7	242	58,3	60,4	0,6074	700	32	267	61,4	63,5	0,6611	710	37	272	62,0	64,1	0,6719	750	57	292	64,4	66,5	0,7149	800	82	317	67,5	69,6	0,7686	200	-	17	33,1	33,2	0,1409	225	-	29	35,1	35,2	0,1715	250	-	42	37,0	37,4	0,2021	280	-	57	39,3	39,7	0,2389	300	-	67	40,5	40,9	0,2634	315	-	74	41,5	41,9	0,2818	355	-	94	44,3	44,7	0,3308	400	-	117	47,3	47,7	0,3859	450	-	142	50,5	52,6	0,4471	500	-	167	54,1	56,2	0,5084	550	-	192	56,9	59,0	0,5696	560	-	197	57,5	59,6	0,5819	600	-	217	60,2	62,3	0,6309																																																																																																																																																																																																																																		
		280	-	57	30,6	30,7	0,1706		300	-	67	31,8	31,9	0,1881		315	-	74	32,6	33,0	0,2013		355	-	94	34,9	35,3	0,2363		400	-	117	37,2	37,6	0,2756		450	-	142	39,8	40,2	0,3194		500	-	167	42,7	44,8		0,3631	550	-	192	44,9	47,0		0,4069	560	-	197	45,4	47,5		0,4156	600	-	217	47,5	49,6		0,4506	630	-	232	49,1	51,2		0,4769	650	7	242	50,1	52,2		0,4944	700	32	267	52,7	54,8		0,5381	710	37	272	53,1	55,2		0,5314	750	57	292	55,9	59,1	0,5996	800	82	317	62,7	64,8	0,6971	200	-	17	30,1	30,2	0,1236	225	-	29	32,0	32,1	0,1505	250	-	42	33,7	33,8	0,1774	280	-	57	35,8	35,9	0,2096	300	-	67	37,0	37,4	0,2311	315	-	74	38,0	38,4	0,2473	355	-	94	40,6	41,0	0,2903	400	-	117	43,3	43,7	0,3386	450	-	142	46,4	48,5	0,3924	500	-	167	49,7	51,8	0,4461	550	-	192	52,2	54,3	0,4999	560	-	197	52,8	54,9	0,5106	600	-	217	55,3	57,4	0,5536	630	-	232	57,1	59,2	0,5859	650	7	242	58,3	60,4	0,6074	700	32	267	61,4	63,5	0,6611	710	37	272	62,0	64,1	0,6719	750	57	292	64,4	66,5	0,7149	800	82	317	67,5	69,6	0,7686	200	-	17	33,1	33,2	0,1409	225	-	29	35,1	35,2	0,1715	250	-	42	37,0	37,4	0,2021	280	-	57	39,3	39,7	0,2389	300	-	67	40,5	40,9	0,2634	315	-	74	41,5	41,9	0,2818	355	-	94	44,3	44,7	0,3308	400	-	117	47,3	47,7	0,3859	450	-	142	50,5	52,6	0,4471	500	-	167	54,1	56,2	0,5084	550	-	192	56,9	59,0	0,5696	560	-	197	57,5	59,6	0,5819	600	-	217	60,2	62,3	0,6309																																																																																																																																																																																																																																										
300		-	67	31,8	31,9	0,1881	315		-	74	32,6	33,0	0,2013	355		-	94	34,9	35,3	0,2363	400		-	117	37,2	37,6	0,2756	450		-	142	39,8	40,2	0,3194	500		-	167	42,7	44,8	0,3631	550		-	192	44,9	47,0	0,4069		560	-	197	45,4	47,5	0,4156		600	-	217	47,5	49,6	0,4506		630	-	232	49,1	51,2	0,4769		650	7	242	50,1	52,2	0,4944		700	32	267	52,7	54,8	0,5381		710	37	272	53,1	55,2	0,5314		750	57	292	55,9	59,1	0,5996	800	82	317	62,7	64,8	0,6971	200	-	17	30,1	30,2	0,1236	225	-	29	32,0	32,1	0,1505	250	-	42	33,7	33,8	0,1774	280	-	57	35,8	35,9	0,2096	300	-	67	37,0	37,4	0,2311	315	-	74	38,0	38,4	0,2473	355	-	94	40,6	41,0	0,2903	400	-	117	43,3	43,7	0,3386	450	-	142	46,4	48,5	0,3924	500	-	167	49,7	51,8	0,4461	550	-	192	52,2	54,3	0,4999	560	-	197	52,8	54,9	0,5106	600	-	217	55,3	57,4	0,5536	630	-	232	57,1	59,2	0,5859	650	7	242	58,3	60,4	0,6074	700	32	267	61,4	63,5	0,6611	710	37	272	62,0	64,1	0,6719	750	57	292	64,4	66,5	0,7149	800	82	317	67,5	69,6	0,7686	200	-	17	33,1	33,2	0,1409	225	-	29	35,1	35,2	0,1715	250	-	42	37,0	37,4	0,2021	280	-	57	39,3	39,7	0,2389	300	-	67	40,5	40,9	0,2634	315	-	74	41,5	41,9	0,2818	355	-	94	44,3	44,7	0,3308	400	-	117	47,3	47,7	0,3859	450	-	142	50,5	52,6	0,4471	500	-	167	54,1	56,2	0,5084	550	-	192	56,9	59,0	0,5696	560	-	197	57,5	59,6	0,5819	600	-	217	60,2	62,3	0,6309																																																																																																																																																																																																																																																		
315		-	74	32,6	33,0	0,2013	355		-	94	34,9	35,3	0,2363	400		-	117	37,2	37,6	0,2756	450		-	142	39,8	40,2	0,3194	500		-	167	42,7	44,8	0,3631	550		-	192	44,9	47,0	0,4069	560		-	197	45,4	47,5	0,4156		600	-	217	47,5	49,6	0,4506		630	-	232	49,1	51,2	0,4769		650	7	242	50,1	52,2	0,4944		700	32	267	52,7	54,8	0,5381		710	37	272	53,1	55,2	0,5314		750	57	292	55,9	59,1	0,5996	800	82	317	62,7	64,8	0,6971	200	-	17	30,1	30,2	0,1236	225	-	29	32,0	32,1	0,1505	250	-	42	33,7	33,8	0,1774	280	-	57	35,8	35,9	0,2096	300	-	67	37,0	37,4	0,2311	315	-	74	38,0	38,4	0,2473	355	-	94	40,6	41,0	0,2903	400	-	117	43,3	43,7	0,3386	450	-	142	46,4	48,5	0,3924	500	-	167	49,7	51,8	0,4461	550	-	192	52,2	54,3	0,4999	560	-	197	52,8	54,9	0,5106	600	-	217	55,3	57,4	0,5536	630	-	232	57,1	59,2	0,5859	650	7	242	58,3	60,4	0,6074	700	32	267	61,4	63,5	0,6611	710	37	272	62,0	64,1	0,6719	750	57	292	64,4	66,5	0,7149	800	82	317	67,5	69,6	0,7686	200	-	17	33,1	33,2	0,1409	225	-	29	35,1	35,2	0,1715	250	-	42	37,0	37,4	0,2021	280	-	57	39,3	39,7	0,2389	300	-	67	40,5	40,9	0,2634	315	-	74	41,5	41,9	0,2818	355	-	94	44,3	44,7	0,3308	400	-	117	47,3	47,7	0,3859	450	-	142	50,5	52,6	0,4471	500	-	167	54,1	56,2	0,5084	550	-	192	56,9	59,0	0,5696	560	-	197	57,5	59,6	0,5819	600	-	217	60,2	62,3	0,6309																																																																																																																																																																																																																																																									
355		-	94	34,9	35,3	0,2363	400		-	117	37,2	37,6	0,2756	450		-	142	39,8	40,2	0,3194	500		-	167	42,7	44,8	0,3631	550		-	192	44,9	47,0	0,4069	560		-	197	45,4	47,5	0,4156	600		-	217	47,5	49,6	0,4506		630	-	232	49,1	51,2	0,4769		650	7	242	50,1	52,2	0,4944		700	32	267	52,7	54,8	0,5381		710	37	272	53,1	55,2	0,5314		750	57	292	55,9	59,1	0,5996	800	82	317	62,7	64,8	0,6971	200	-	17	30,1	30,2	0,1236	225	-	29	32,0	32,1	0,1505	250	-	42	33,7	33,8	0,1774	280	-	57	35,8	35,9	0,2096	300	-	67	37,0	37,4	0,2311	315	-	74	38,0	38,4	0,2473	355	-	94	40,6	41,0	0,2903	400	-	117	43,3	43,7	0,3386	450	-	142	46,4	48,5	0,3924	500	-	167	49,7	51,8	0,4461	550	-	192	52,2	54,3	0,4999	560	-	197	52,8	54,9	0,5106	600	-	217	55,3	57,4	0,5536	630	-	232	57,1	59,2	0,5859	650	7	242	58,3	60,4	0,6074	700	32	267	61,4	63,5	0,6611	710	37	272	62,0	64,1	0,6719	750	57	292	64,4	66,5	0,7149	800	82	317	67,5	69,6	0,7686	200	-	17	33,1	33,2	0,1409	225	-	29	35,1	35,2	0,1715	250	-	42	37,0	37,4	0,2021	280	-	57	39,3	39,7	0,2389	300	-	67	40,5	40,9	0,2634	315	-	74	41,5	41,9	0,2818	355	-	94	44,3	44,7	0,3308	400	-	117	47,3	47,7	0,3859	450	-	142	50,5	52,6	0,4471	500	-	167	54,1	56,2	0,5084	550	-	192	56,9	59,0	0,5696	560	-	197	57,5	59,6	0,5819	600	-	217	60,2	62,3	0,6309																																																																																																																																																																																																																																																																
400		-	117	37,2	37,6	0,2756	450		-	142	39,8	40,2	0,3194	500		-	167	42,7	44,8	0,3631	550		-	192	44,9	47,0	0,4069	560		-	197	45,4	47,5	0,4156	600		-	217	47,5	49,6	0,4506	630		-	232	49,1	51,2	0,4769		650	7	242	50,1	52,2	0,4944		700	32	267	52,7	54,8	0,5381		710	37	272	53,1	55,2	0,5314		750	57	292	55,9	59,1	0,5996	800	82	317	62,7	64,8	0,6971	200	-	17	30,1	30,2	0,1236	225	-	29	32,0	32,1	0,1505	250	-	42	33,7	33,8	0,1774	280	-	57	35,8	35,9	0,2096	300	-	67	37,0	37,4	0,2311	315	-	74	38,0	38,4	0,2473	355	-	94	40,6	41,0	0,2903	400	-	117	43,3	43,7	0,3386	450	-	142	46,4	48,5	0,3924	500	-	167	49,7	51,8	0,4461	550	-	192	52,2	54,3	0,4999	560	-	197	52,8	54,9	0,5106	600	-	217	55,3	57,4	0,5536	630	-	232	57,1	59,2	0,5859	650	7	242	58,3	60,4	0,6074	700	32	267	61,4	63,5	0,6611	710	37	272	62,0	64,1	0,6719	750	57	292	64,4	66,5	0,7149	800	82	317	67,5	69,6	0,7686	200	-	17	33,1	33,2	0,1409	225	-	29	35,1	35,2	0,1715	250	-	42	37,0	37,4	0,2021	280	-	57	39,3	39,7	0,2389	300	-	67	40,5	40,9	0,2634	315	-	74	41,5	41,9	0,2818	355	-	94	44,3	44,7	0,3308	400	-	117	47,3	47,7	0,3859	450	-	142	50,5	52,6	0,4471	500	-	167	54,1	56,2	0,5084	550	-	192	56,9	59,0	0,5696	560	-	197	57,5	59,6	0,5819	600	-	217	60,2	62,3	0,6309																																																																																																																																																																																																																																																																							
450		-	142	39,8	40,2	0,3194	500		-	167	42,7	44,8	0,3631	550		-	192	44,9	47,0	0,4069	560		-	197	45,4	47,5	0,4156	600		-	217	47,5	49,6	0,4506	630		-	232	49,1	51,2	0,4769	650		7	242	50,1	52,2	0,4944		700	32	267	52,7	54,8	0,5381		710	37	272	53,1	55,2	0,5314		750	57	292	55,9	59,1	0,5996	800	82	317	62,7	64,8	0,6971	200	-	17	30,1	30,2	0,1236	225	-	29	32,0	32,1	0,1505	250	-	42	33,7	33,8	0,1774	280	-	57	35,8	35,9	0,2096	300	-	67	37,0	37,4	0,2311	315	-	74	38,0	38,4	0,2473	355	-	94	40,6	41,0	0,2903	400	-	117	43,3	43,7	0,3386	450	-	142	46,4	48,5	0,3924	500	-	167	49,7	51,8	0,4461	550	-	192	52,2	54,3	0,4999	560	-	197	52,8	54,9	0,5106	600	-	217	55,3	57,4	0,5536	630	-	232	57,1	59,2	0,5859	650	7	242	58,3	60,4	0,6074	700	32	267	61,4	63,5	0,6611	710	37	272	62,0	64,1	0,6719	750	57	292	64,4	66,5	0,7149	800	82	317	67,5	69,6	0,7686	200	-	17	33,1	33,2	0,1409	225	-	29	35,1	35,2	0,1715	250	-	42	37,0	37,4	0,2021	280	-	57	39,3	39,7	0,2389	300	-	67	40,5	40,9	0,2634	315	-	74	41,5	41,9	0,2818	355	-	94	44,3	44,7	0,3308	400	-	117	47,3	47,7	0,3859	450	-	142	50,5	52,6	0,4471	500	-	167	54,1	56,2	0,5084	550	-	192	56,9	59,0	0,5696	560	-	197	57,5	59,6	0,5819	600	-	217	60,2	62,3	0,6309																																																																																																																																																																																																																																																																														
500		-	167	42,7	44,8	0,3631	550		-	192	44,9	47,0	0,4069	560		-	197	45,4	47,5	0,4156	600		-	217	47,5	49,6	0,4506	630		-	232	49,1	51,2	0,4769	650		7	242	50,1	52,2	0,4944	700		32	267	52,7	54,8	0,5381		710	37	272	53,1	55,2	0,5314		750	57	292	55,9	59,1	0,5996	800	82	317	62,7	64,8	0,6971	200	-	17	30,1	30,2	0,1236	225	-	29	32,0	32,1	0,1505	250	-	42	33,7	33,8	0,1774	280	-	57	35,8	35,9	0,2096	300	-	67	37,0	37,4	0,2311	315	-	74	38,0	38,4	0,2473	355	-	94	40,6	41,0	0,2903	400	-	117	43,3	43,7	0,3386	450	-	142	46,4	48,5	0,3924	500	-	167	49,7	51,8	0,4461	550	-	192	52,2	54,3	0,4999	560	-	197	52,8	54,9	0,5106	600	-	217	55,3	57,4	0,5536	630	-	232	57,1	59,2	0,5859	650	7	242	58,3	60,4	0,6074	700	32	267	61,4	63,5	0,6611	710	37	272	62,0	64,1	0,6719	750	57	292	64,4	66,5	0,7149	800	82	317	67,5	69,6	0,7686	200	-	17	33,1	33,2	0,1409	225	-	29	35,1	35,2	0,1715	250	-	42	37,0	37,4	0,2021	280	-	57	39,3	39,7	0,2389	300	-	67	40,5	40,9	0,2634	315	-	74	41,5	41,9	0,2818	355	-	94	44,3	44,7	0,3308	400	-	117	47,3	47,7	0,3859	450	-	142	50,5	52,6	0,4471	500	-	167	54,1	56,2	0,5084	550	-	192	56,9	59,0	0,5696	560	-	197	57,5	59,6	0,5819	600	-	217	60,2	62,3	0,6309																																																																																																																																																																																																																																																																																					
550		-	192	44,9	47,0	0,4069	560		-	197	45,4	47,5	0,4156	600		-	217	47,5	49,6	0,4506	630		-	232	49,1	51,2	0,4769	650		7	242	50,1	52,2	0,4944	700		32	267	52,7	54,8	0,5381	710		37	272	53,1	55,2	0,5314		750	57	292	55,9	59,1	0,5996	800	82	317	62,7	64,8	0,6971	200	-	17	30,1	30,2	0,1236	225	-	29	32,0	32,1	0,1505	250	-	42	33,7	33,8	0,1774	280	-	57	35,8	35,9	0,2096	300	-	67	37,0	37,4	0,2311	315	-	74	38,0	38,4	0,2473	355	-	94	40,6	41,0	0,2903	400	-	117	43,3	43,7	0,3386	450	-	142	46,4	48,5	0,3924	500	-	167	49,7	51,8	0,4461	550	-	192	52,2	54,3	0,4999	560	-	197	52,8	54,9	0,5106	600	-	217	55,3	57,4	0,5536	630	-	232	57,1	59,2	0,5859	650	7	242	58,3	60,4	0,6074	700	32	267	61,4	63,5	0,6611	710	37	272	62,0	64,1	0,6719	750	57	292	64,4	66,5	0,7149	800	82	317	67,5	69,6	0,7686	200	-	17	33,1	33,2	0,1409	225	-	29	35,1	35,2	0,1715	250	-	42	37,0	37,4	0,2021	280	-	57	39,3	39,7	0,2389	300	-	67	40,5	40,9	0,2634	315	-	74	41,5	41,9	0,2818	355	-	94	44,3	44,7	0,3308	400	-	117	47,3	47,7	0,3859	450	-	142	50,5	52,6	0,4471	500	-	167	54,1	56,2	0,5084	550	-	192	56,9	59,0	0,5696	560	-	197	57,5	59,6	0,5819	600	-	217	60,2	62,3	0,6309																																																																																																																																																																																																																																																																																												
560		-	197	45,4	47,5	0,4156	600		-	217	47,5	49,6	0,4506	630		-	232	49,1	51,2	0,4769	650		7	242	50,1	52,2	0,4944	700		32	267	52,7	54,8	0,5381	710		37	272	53,1	55,2	0,5314	750		57	292	55,9	59,1	0,5996	800	82	317	62,7	64,8	0,6971	200	-	17	30,1	30,2	0,1236	225	-	29	32,0	32,1	0,1505	250	-	42	33,7	33,8	0,1774	280	-	57	35,8	35,9	0,2096	300	-	67	37,0	37,4	0,2311	315	-	74	38,0	38,4	0,2473	355	-	94	40,6	41,0	0,2903	400	-	117	43,3	43,7	0,3386	450	-	142	46,4	48,5	0,3924	500	-	167	49,7	51,8	0,4461	550	-	192	52,2	54,3	0,4999	560	-	197	52,8	54,9	0,5106	600	-	217	55,3	57,4	0,5536	630	-	232	57,1	59,2	0,5859	650	7	242	58,3	60,4	0,6074	700	32	267	61,4	63,5	0,6611	710	37	272	62,0	64,1	0,6719	750	57	292	64,4	66,5	0,7149	800	82	317	67,5	69,6	0,7686	200	-	17	33,1	33,2	0,1409	225	-	29	35,1	35,2	0,1715	250	-	42	37,0	37,4	0,2021	280	-	57	39,3	39,7	0,2389	300	-	67	40,5	40,9	0,2634	315	-	74	41,5	41,9	0,2818	355	-	94	44,3	44,7	0,3308	400	-	117	47,3	47,7	0,3859	450	-	142	50,5	52,6	0,4471	500	-	167	54,1	56,2	0,5084	550	-	192	56,9	59,0	0,5696	560	-	197	57,5	59,6	0,5819	600	-	217	60,2	62,3	0,6309																																																																																																																																																																																																																																																																																																			
600		-	217	47,5	49,6	0,4506	630		-	232	49,1	51,2	0,4769	650		7	242	50,1	52,2	0,4944	700		32	267	52,7	54,8	0,5381	710		37	272	53,1	55,2	0,5314	750		57	292	55,9	59,1	0,5996	800	82	317	62,7	64,8	0,6971	200	-	17	30,1	30,2	0,1236	225	-	29	32,0	32,1	0,1505	250	-	42	33,7	33,8	0,1774	280	-	57	35,8	35,9	0,2096	300	-	67	37,0	37,4	0,2311	315	-	74	38,0	38,4	0,2473	355	-	94	40,6	41,0	0,2903	400	-	117	43,3	43,7	0,3386	450	-	142	46,4	48,5	0,3924	500	-	167	49,7	51,8	0,4461	550	-	192	52,2	54,3	0,4999	560	-	197	52,8	54,9	0,5106	600	-	217	55,3	57,4	0,5536	630	-	232	57,1	59,2	0,5859	650	7	242	58,3	60,4	0,6074	700	32	267	61,4	63,5	0,6611	710	37	272	62,0	64,1	0,6719	750	57	292	64,4	66,5	0,7149	800	82	317	67,5	69,6	0,7686	200	-	17	33,1	33,2	0,1409	225	-	29	35,1	35,2	0,1715	250	-	42	37,0	37,4	0,2021	280	-	57	39,3	39,7	0,2389	300	-	67	40,5	40,9	0,2634	315	-	74	41,5	41,9	0,2818	355	-	94	44,3	44,7	0,3308	400	-	117	47,3	47,7	0,3859	450	-	142	50,5	52,6	0,4471	500	-	167	54,1	56,2	0,5084	550	-	192	56,9	59,0	0,5696	560	-	197	57,5	59,6	0,5819	600	-	217	60,2	62,3	0,6309																																																																																																																																																																																																																																																																																																										
630		-	232	49,1	51,2	0,4769	650		7	242	50,1	52,2	0,4944	700		32	267	52,7	54,8	0,5381	710		37	272	53,1	55,2	0,5314	750		57	292	55,9	59,1	0,5996	800	82	317	62,7	64,8	0,6971	200	-	17	30,1	30,2	0,1236	225	-	29	32,0	32,1	0,1505	250	-	42	33,7	33,8	0,1774	280	-	57	35,8	35,9	0,2096	300	-	67	37,0	37,4	0,2311	315	-	74	38,0	38,4	0,2473	355	-	94	40,6	41,0	0,2903	400	-	117	43,3	43,7	0,3386	450	-	142	46,4	48,5	0,3924	500	-	167	49,7	51,8	0,4461	550	-	192	52,2	54,3	0,4999	560	-	197	52,8	54,9	0,5106	600	-	217	55,3	57,4	0,5536	630	-	232	57,1	59,2	0,5859	650	7	242	58,3	60,4	0,6074	700	32	267	61,4	63,5	0,6611	710	37	272	62,0	64,1	0,6719	750	57	292	64,4	66,5	0,7149	800	82	317	67,5	69,6	0,7686	200	-	17	33,1	33,2	0,1409	225	-	29	35,1	35,2	0,1715	250	-	42	37,0	37,4	0,2021	280	-	57	39,3	39,7	0,2389	300	-	67	40,5	40,9	0,2634	315	-	74	41,5	41,9	0,2818	355	-	94	44,3	44,7	0,3308	400	-	117	47,3	47,7	0,3859	450	-	142	50,5	52,6	0,4471	500	-	167	54,1	56,2	0,5084	550	-	192	56,9	59,0	0,5696	560	-	197	57,5	59,6	0,5819	600	-	217	60,2	62,3	0,6309																																																																																																																																																																																																																																																																																																																	
650		7	242	50,1	52,2	0,4944	700		32	267	52,7	54,8	0,5381	710		37	272	53,1	55,2	0,5314	750		57	292	55,9	59,1	0,5996	800	82	317	62,7	64,8	0,6971	200	-	17	30,1	30,2	0,1236	225	-	29	32,0	32,1	0,1505	250	-	42	33,7	33,8	0,1774	280	-	57	35,8	35,9	0,2096	300	-	67	37,0	37,4	0,2311	315	-	74	38,0	38,4	0,2473	355	-	94	40,6	41,0	0,2903	400	-	117	43,3	43,7	0,3386	450	-	142	46,4	48,5	0,3924	500	-	167	49,7	51,8	0,4461	550	-	192	52,2	54,3	0,4999	560	-	197	52,8	54,9	0,5106	600	-	217	55,3	57,4	0,5536	630	-	232	57,1	59,2	0,5859	650	7	242	58,3	60,4	0,6074	700	32	267	61,4	63,5	0,6611	710	37	272	62,0	64,1	0,6719	750	57	292	64,4	66,5	0,7149	800	82	317	67,5	69,6	0,7686	200	-	17	33,1	33,2	0,1409	225	-	29	35,1	35,2	0,1715	250	-	42	37,0	37,4	0,2021	280	-	57	39,3	39,7	0,2389	300	-	67	40,5	40,9	0,2634	315	-	74	41,5	41,9	0,2818	355	-	94	44,3	44,7	0,3308	400	-	117	47,3	47,7	0,3859	450	-	142	50,5	52,6	0,4471	500	-	167	54,1	56,2	0,5084	550	-	192	56,9	59,0	0,5696	560	-	197	57,5	59,6	0,5819	600	-	217	60,2	62,3	0,6309																																																																																																																																																																																																																																																																																																																								
700		32	267	52,7	54,8	0,5381	710		37	272	53,1	55,2	0,5314	750		57	292	55,9	59,1	0,5996	800	82	317	62,7	64,8	0,6971	200	-	17	30,1	30,2	0,1236	225	-	29	32,0	32,1	0,1505	250	-	42	33,7	33,8	0,1774	280	-	57	35,8	35,9	0,2096	300	-	67	37,0	37,4	0,2311	315	-	74	38,0	38,4	0,2473	355	-	94	40,6	41,0	0,2903	400	-	117	43,3	43,7	0,3386	450	-	142	46,4	48,5	0,3924	500	-	167	49,7	51,8	0,4461	550	-	192	52,2	54,3	0,4999	560	-	197	52,8	54,9	0,5106	600	-	217	55,3	57,4	0,5536	630	-	232	57,1	59,2	0,5859	650	7	242	58,3	60,4	0,6074	700	32	267	61,4	63,5	0,6611	710	37	272	62,0	64,1	0,6719	750	57	292	64,4	66,5	0,7149	800	82	317	67,5	69,6	0,7686	200	-	17	33,1	33,2	0,1409	225	-	29	35,1	35,2	0,1715	250	-	42	37,0	37,4	0,2021	280	-	57	39,3	39,7	0,2389	300	-	67	40,5	40,9	0,2634	315	-	74	41,5	41,9	0,2818	355	-	94	44,3	44,7	0,3308	400	-	117	47,3	47,7	0,3859	450	-	142	50,5	52,6	0,4471	500	-	167	54,1	56,2	0,5084	550	-	192	56,9	59,0	0,5696	560	-	197	57,5	59,6	0,5819	600	-	217	60,2	62,3	0,6309																																																																																																																																																																																																																																																																																																																															
710		37	272	53,1	55,2	0,5314	750		57	292	55,9	59,1	0,5996	800	82	317	62,7	64,8	0,6971	200	-	17	30,1	30,2	0,1236	225	-	29	32,0	32,1	0,1505	250	-	42	33,7	33,8	0,1774	280	-	57	35,8	35,9	0,2096	300	-	67	37,0	37,4	0,2311	315	-	74	38,0	38,4	0,2473	355	-	94	40,6	41,0	0,2903	400	-	117	43,3	43,7	0,3386	450	-	142	46,4	48,5	0,3924	500	-	167	49,7	51,8	0,4461	550	-	192	52,2	54,3	0,4999	560	-	197	52,8	54,9	0,5106	600	-	217	55,3	57,4	0,5536	630	-	232	57,1	59,2	0,5859	650	7	242	58,3	60,4	0,6074	700	32	267	61,4	63,5	0,6611	710	37	272	62,0	64,1	0,6719	750	57	292	64,4	66,5	0,7149	800	82	317	67,5	69,6	0,7686	200	-	17	33,1	33,2	0,1409	225	-	29	35,1	35,2	0,1715	250	-	42	37,0	37,4	0,2021	280	-	57	39,3	39,7	0,2389	300	-	67	40,5	40,9	0,2634	315	-	74	41,5	41,9	0,2818	355	-	94	44,3	44,7	0,3308	400	-	117	47,3	47,7	0,3859	450	-	142	50,5	52,6	0,4471	500	-	167	54,1	56,2	0,5084	550	-	192	56,9	59,0	0,5696	560	-	197	57,5	59,6	0,5819	600	-	217	60,2	62,3	0,6309																																																																																																																																																																																																																																																																																																																																						
750		57	292	55,9	59,1	0,5996	800	82	317	62,7	64,8	0,6971	200	-	17	30,1	30,2	0,1236	225	-	29	32,0	32,1	0,1505	250	-	42	33,7	33,8	0,1774	280	-	57	35,8	35,9	0,2096	300	-	67	37,0	37,4	0,2311	315	-	74	38,0	38,4	0,2473	355	-	94	40,6	41,0	0,2903	400	-	117	43,3	43,7	0,3386	450	-	142	46,4	48,5	0,3924	500	-	167	49,7	51,8	0,4461	550	-	192	52,2	54,3	0,4999	560	-	197	52,8	54,9	0,5106	600	-	217	55,3	57,4	0,5536	630	-	232	57,1	59,2	0,5859	650	7	242	58,3	60,4	0,6074	700	32	267	61,4	63,5	0,6611	710	37	272	62,0	64,1	0,6719	750	57	292	64,4	66,5	0,7149	800	82	317	67,5	69,6	0,7686	200	-	17	33,1	33,2	0,1409	225	-	29	35,1	35,2	0,1715	250	-	42	37,0	37,4	0,2021	280	-	57	39,3	39,7	0,2389	300	-	67	40,5	40,9	0,2634	315	-	74	41,5	41,9	0,2818	355	-	94	44,3	44,7	0,3308	400	-	117	47,3	47,7	0,3859	450	-	142	50,5	52,6	0,4471	500	-	167	54,1	56,2	0,5084	550	-	192	56,9	59,0	0,5696	560	-	197	57,5	59,6	0,5819	600	-	217	60,2	62,3	0,6309																																																																																																																																																																																																																																																																																																																																													
800	82	317	62,7	64,8	0,6971	200	-	17	30,1	30,2	0,1236	225	-	29	32,0	32,1	0,1505	250	-	42	33,7	33,8	0,1774	280	-	57	35,8	35,9	0,2096	300	-	67	37,0	37,4	0,2311	315	-	74	38,0	38,4	0,2473	355	-	94	40,6	41,0	0,2903	400	-	117	43,3	43,7	0,3386	450	-	142	46,4	48,5	0,3924	500	-	167	49,7	51,8	0,4461	550	-	192	52,2	54,3	0,4999	560	-	197	52,8	54,9	0,5106	600	-	217	55,3	57,4	0,5536	630	-	232	57,1	59,2	0,5859	650	7	242	58,3	60,4	0,6074	700	32	267	61,4	63,5	0,6611	710	37	272	62,0	64,1	0,6719	750	57	292	64,4	66,5	0,7149	800	82	317	67,5	69,6	0,7686	200	-	17	33,1	33,2	0,1409	225	-	29	35,1	35,2	0,1715	250	-	42	37,0	37,4	0,2021	280	-	57	39,3	39,7	0,2389	300	-	67	40,5	40,9	0,2634	315	-	74	41,5	41,9	0,2818	355	-	94	44,3	44,7	0,3308	400	-	117	47,3	47,7	0,3859	450	-	142	50,5	52,6	0,4471	500	-	167	54,1	56,2	0,5084	550	-	192	56,9	59,0	0,5696	560	-	197	57,5	59,6	0,5819	600	-	217	60,2	62,3	0,6309																																																																																																																																																																																																																																																																																																																																																				
200	-	17	30,1	30,2	0,1236	225	-	29	32,0	32,1	0,1505	250	-	42	33,7	33,8	0,1774	280	-	57	35,8	35,9	0,2096	300	-	67	37,0	37,4	0,2311	315	-	74	38,0	38,4	0,2473	355	-	94	40,6	41,0	0,2903	400	-	117	43,3	43,7	0,3386	450	-	142	46,4	48,5	0,3924	500	-	167	49,7	51,8	0,4461	550	-	192	52,2	54,3	0,4999	560	-	197	52,8	54,9	0,5106	600	-	217	55,3	57,4	0,5536	630	-	232	57,1	59,2	0,5859	650	7	242	58,3	60,4	0,6074	700	32	267	61,4	63,5	0,6611	710	37	272	62,0	64,1	0,6719	750	57	292	64,4	66,5	0,7149	800	82	317	67,5	69,6	0,7686	200	-	17	33,1	33,2	0,1409	225	-	29	35,1	35,2	0,1715	250	-	42	37,0	37,4	0,2021	280	-	57	39,3	39,7	0,2389	300	-	67	40,5	40,9	0,2634	315	-	74	41,5	41,9	0,2818	355	-	94	44,3	44,7	0,3308	400	-	117	47,3	47,7	0,3859	450	-	142	50,5	52,6	0,4471	500	-	167	54,1	56,2	0,5084	550	-	192	56,9	59,0	0,5696	560	-	197	57,5	59,6	0,5819	600	-	217	60,2	62,3	0,6309																																																																																																																																																																																																																																																																																																																																																										
225	-	29	32,0	32,1	0,1505	250	-	42	33,7	33,8	0,1774	280	-	57	35,8	35,9	0,2096	300	-	67	37,0	37,4	0,2311	315	-	74	38,0	38,4	0,2473	355	-	94	40,6	41,0	0,2903	400	-	117	43,3	43,7	0,3386	450	-	142	46,4	48,5	0,3924	500	-	167	49,7	51,8	0,4461	550	-	192	52,2	54,3	0,4999	560	-	197	52,8	54,9	0,5106	600	-	217	55,3	57,4	0,5536	630	-	232	57,1	59,2	0,5859	650	7	242	58,3	60,4	0,6074	700	32	267	61,4	63,5	0,6611	710	37	272	62,0	64,1	0,6719	750	57	292	64,4	66,5	0,7149	800	82	317	67,5	69,6	0,7686	200	-	17	33,1	33,2	0,1409	225	-	29	35,1	35,2	0,1715	250	-	42	37,0	37,4	0,2021	280	-	57	39,3	39,7	0,2389	300	-	67	40,5	40,9	0,2634	315	-	74	41,5	41,9	0,2818	355	-	94	44,3	44,7	0,3308	400	-	117	47,3	47,7	0,3859	450	-	142	50,5	52,6	0,4471	500	-	167	54,1	56,2	0,5084	550	-	192	56,9	59,0	0,5696	560	-	197	57,5	59,6	0,5819	600	-	217	60,2	62,3	0,6309																																																																																																																																																																																																																																																																																																																																																																
250	-	42	33,7	33,8	0,1774	280	-	57	35,8	35,9	0,2096	300	-	67	37,0	37,4	0,2311	315	-	74	38,0	38,4	0,2473	355	-	94	40,6	41,0	0,2903	400	-	117	43,3	43,7	0,3386	450	-	142	46,4	48,5	0,3924	500	-	167	49,7	51,8	0,4461	550	-	192	52,2	54,3	0,4999	560	-	197	52,8	54,9	0,5106	600	-	217	55,3	57,4	0,5536	630	-	232	57,1	59,2	0,5859	650	7	242	58,3	60,4	0,6074	700	32	267	61,4	63,5	0,6611	710	37	272	62,0	64,1	0,6719	750	57	292	64,4	66,5	0,7149	800	82	317	67,5	69,6	0,7686	200	-	17	33,1	33,2	0,1409	225	-	29	35,1	35,2	0,1715	250	-	42	37,0	37,4	0,2021	280	-	57	39,3	39,7	0,2389	300	-	67	40,5	40,9	0,2634	315	-	74	41,5	41,9	0,2818	355	-	94	44,3	44,7	0,3308	400	-	117	47,3	47,7	0,3859	450	-	142	50,5	52,6	0,4471	500	-	167	54,1	56,2	0,5084	550	-	192	56,9	59,0	0,5696	560	-	197	57,5	59,6	0,5819	600	-	217	60,2	62,3	0,6309																																																																																																																																																																																																																																																																																																																																																																						
280	-	57	35,8	35,9	0,2096	300	-	67	37,0	37,4	0,2311	315	-	74	38,0	38,4	0,2473	355	-	94	40,6	41,0	0,2903	400	-	117	43,3	43,7	0,3386	450	-	142	46,4	48,5	0,3924	500	-	167	49,7	51,8	0,4461	550	-	192	52,2	54,3	0,4999	560	-	197	52,8	54,9	0,5106	600	-	217	55,3	57,4	0,5536	630	-	232	57,1	59,2	0,5859	650	7	242	58,3	60,4	0,6074	700	32	267	61,4	63,5	0,6611	710	37	272	62,0	64,1	0,6719	750	57	292	64,4	66,5	0,7149	800	82	317	67,5	69,6	0,7686	200	-	17	33,1	33,2	0,1409	225	-	29	35,1	35,2	0,1715	250	-	42	37,0	37,4	0,2021	280	-	57	39,3	39,7	0,2389	300	-	67	40,5	40,9	0,2634	315	-	74	41,5	41,9	0,2818	355	-	94	44,3	44,7	0,3308	400	-	117	47,3	47,7	0,3859	450	-	142	50,5	52,6	0,4471	500	-	167	54,1	56,2	0,5084	550	-	192	56,9	59,0	0,5696	560	-	197	57,5	59,6	0,5819	600	-	217	60,2	62,3	0,6309																																																																																																																																																																																																																																																																																																																																																																												
300	-	67	37,0	37,4	0,2311	315	-	74	38,0	38,4	0,2473	355	-	94	40,6	41,0	0,2903	400	-	117	43,3	43,7	0,3386	450	-	142	46,4	48,5	0,3924	500	-	167	49,7	51,8	0,4461	550	-	192	52,2	54,3	0,4999	560	-	197	52,8	54,9	0,5106	600	-	217	55,3	57,4	0,5536	630	-	232	57,1	59,2	0,5859	650	7	242	58,3	60,4	0,6074	700	32	267	61,4	63,5	0,6611	710	37	272	62,0	64,1	0,6719	750	57	292	64,4	66,5	0,7149	800	82	317	67,5	69,6	0,7686	200	-	17	33,1	33,2	0,1409	225	-	29	35,1	35,2	0,1715	250	-	42	37,0	37,4	0,2021	280	-	57	39,3	39,7	0,2389	300	-	67	40,5	40,9	0,2634	315	-	74	41,5	41,9	0,2818	355	-	94	44,3	44,7	0,3308	400	-	117	47,3	47,7	0,3859	450	-	142	50,5	52,6	0,4471	500	-	167	54,1	56,2	0,5084	550	-	192	56,9	59,0	0,5696	560	-	197	57,5	59,6	0,5819	600	-	217	60,2	62,3	0,6309																																																																																																																																																																																																																																																																																																																																																																																		
315	-	74	38,0	38,4	0,2473	355	-	94	40,6	41,0	0,2903	400	-	117	43,3	43,7	0,3386	450	-	142	46,4	48,5	0,3924	500	-	167	49,7	51,8	0,4461	550	-	192	52,2	54,3	0,4999	560	-	197	52,8	54,9	0,5106	600	-	217	55,3	57,4	0,5536	630	-	232	57,1	59,2	0,5859	650	7	242	58,3	60,4	0,6074	700	32	267	61,4	63,5	0,6611	710	37	272	62,0	64,1	0,6719	750	57	292	64,4	66,5	0,7149	800	82	317	67,5	69,6	0,7686	200	-	17	33,1	33,2	0,1409	225	-	29	35,1	35,2	0,1715	250	-	42	37,0	37,4	0,2021	280	-	57	39,3	39,7	0,2389	300	-	67	40,5	40,9	0,2634	315	-	74	41,5	41,9	0,2818	355	-	94	44,3	44,7	0,3308	400	-	117	47,3	47,7	0,3859	450	-	142	50,5	52,6	0,4471	500	-	167	54,1	56,2	0,5084	550	-	192	56,9	59,0	0,5696	560	-	197	57,5	59,6	0,5819	600	-	217	60,2	62,3	0,6309																																																																																																																																																																																																																																																																																																																																																																																								
355	-	94	40,6	41,0	0,2903	400	-	117	43,3	43,7	0,3386	450	-	142	46,4	48,5	0,3924	500	-	167	49,7	51,8	0,4461	550	-	192	52,2	54,3	0,4999	560	-	197	52,8	54,9	0,5106	600	-	217	55,3	57,4	0,5536	630	-	232	57,1	59,2	0,5859	650	7	242	58,3	60,4	0,6074	700	32	267	61,4	63,5	0,6611	710	37	272	62,0	64,1	0,6719	750	57	292	64,4	66,5	0,7149	800	82	317	67,5	69,6	0,7686	200	-	17	33,1	33,2	0,1409	225	-	29	35,1	35,2	0,1715	250	-	42	37,0	37,4	0,2021	280	-	57	39,3	39,7	0,2389	300	-	67	40,5	40,9	0,2634	315	-	74	41,5	41,9	0,2818	355	-	94	44,3	44,7	0,3308	400	-	117	47,3	47,7	0,3859	450	-	142	50,5	52,6	0,4471	500	-	167	54,1	56,2	0,5084	550	-	192	56,9	59,0	0,5696	560	-	197	57,5	59,6	0,5819	600	-	217	60,2	62,3	0,6309																																																																																																																																																																																																																																																																																																																																																																																														
400	-	117	43,3	43,7	0,3386	450	-	142	46,4	48,5	0,3924	500	-	167	49,7	51,8	0,4461	550	-	192	52,2	54,3	0,4999	560	-	197	52,8	54,9	0,5106	600	-	217	55,3	57,4	0,5536	630	-	232	57,1	59,2	0,5859	650	7	242	58,3	60,4	0,6074	700	32	267	61,4	63,5	0,6611	710	37	272	62,0	64,1	0,6719	750	57	292	64,4	66,5	0,7149	800	82	317	67,5	69,6	0,7686	200	-	17	33,1	33,2	0,1409	225	-	29	35,1	35,2	0,1715	250	-	42	37,0	37,4	0,2021	280	-	57	39,3	39,7	0,2389	300	-	67	40,5	40,9	0,2634	315	-	74	41,5	41,9	0,2818	355	-	94	44,3	44,7	0,3308	400	-	117	47,3	47,7	0,3859	450	-	142	50,5	52,6	0,4471	500	-	167	54,1	56,2	0,5084	550	-	192	56,9	59,0	0,5696	560	-	197	57,5	59,6	0,5819	600	-	217	60,2	62,3	0,6309																																																																																																																																																																																																																																																																																																																																																																																																				
450	-	142	46,4	48,5	0,3924	500	-	167	49,7	51,8	0,4461	550	-	192	52,2	54,3	0,4999	560	-	197	52,8	54,9	0,5106	600	-	217	55,3	57,4	0,5536	630	-	232	57,1	59,2	0,5859	650	7	242	58,3	60,4	0,6074	700	32	267	61,4	63,5	0,6611	710	37	272	62,0	64,1	0,6719	750	57	292	64,4	66,5	0,7149	800	82	317	67,5	69,6	0,7686	200	-	17	33,1	33,2	0,1409	225	-	29	35,1	35,2	0,1715	250	-	42	37,0	37,4	0,2021	280	-	57	39,3	39,7	0,2389	300	-	67	40,5	40,9	0,2634	315	-	74	41,5	41,9	0,2818	355	-	94	44,3	44,7	0,3308	400	-	117	47,3	47,7	0,3859	450	-	142	50,5	52,6	0,4471	500	-	167	54,1	56,2	0,5084	550	-	192	56,9	59,0	0,5696	560	-	197	57,5	59,6	0,5819	600	-	217	60,2	62,3	0,6309																																																																																																																																																																																																																																																																																																																																																																																																										
500	-	167	49,7	51,8	0,4461	550	-	192	52,2	54,3	0,4999	560	-	197	52,8	54,9	0,5106	600	-	217	55,3	57,4	0,5536	630	-	232	57,1	59,2	0,5859	650	7	242	58,3	60,4	0,6074	700	32	267	61,4	63,5	0,6611	710	37	272	62,0	64,1	0,6719	750	57	292	64,4	66,5	0,7149	800	82	317	67,5	69,6	0,7686	200	-	17	33,1	33,2	0,1409	225	-	29	35,1	35,2	0,1715	250	-	42	37,0	37,4	0,2021	280	-	57	39,3	39,7	0,2389	300	-	67	40,5	40,9	0,2634	315	-	74	41,5	41,9	0,2818	355	-	94	44,3	44,7	0,3308	400	-	117	47,3	47,7	0,3859	450	-	142	50,5	52,6	0,4471	500	-	167	54,1	56,2	0,5084	550	-	192	56,9	59,0	0,5696	560	-	197	57,5	59,6	0,5819	600	-	217	60,2	62,3	0,6309																																																																																																																																																																																																																																																																																																																																																																																																																
550	-	192	52,2	54,3	0,4999	560	-	197	52,8	54,9	0,5106	600	-	217	55,3	57,4	0,5536	630	-	232	57,1	59,2	0,5859	650	7	242	58,3	60,4	0,6074	700	32	267	61,4	63,5	0,6611	710	37	272	62,0	64,1	0,6719	750	57	292	64,4	66,5	0,7149	800	82	317	67,5	69,6	0,7686	200	-	17	33,1	33,2	0,1409	225	-	29	35,1	35,2	0,1715	250	-	42	37,0	37,4	0,2021	280	-	57	39,3	39,7	0,2389	300	-	67	40,5	40,9	0,2634	315	-	74	41,5	41,9	0,2818	355	-	94	44,3	44,7	0,3308	400	-	117	47,3	47,7	0,3859	450	-	142	50,5	52,6	0,4471	500	-	167	54,1	56,2	0,5084	550	-	192	56,9	59,0	0,5696	560	-	197	57,5	59,6	0,5819	600	-	217	60,2	62,3	0,6309																																																																																																																																																																																																																																																																																																																																																																																																																						
560	-	197	52,8	54,9	0,5106	600	-	217	55,3	57,4	0,5536	630	-	232	57,1	59,2	0,5859	650	7	242	58,3	60,4	0,6074	700	32	267	61,4	63,5	0,6611	710	37	272	62,0	64,1	0,6719	750	57	292	64,4	66,5	0,7149	800	82	317	67,5	69,6	0,7686	200	-	17	33,1	33,2	0,1409	225	-	29	35,1	35,2	0,1715	250	-	42	37,0	37,4	0,2021	280	-	57	39,3	39,7	0,2389	300	-	67	40,5	40,9	0,2634	315	-	74	41,5	41,9	0,2818	355	-	94	44,3	44,7	0,3308	400	-	117	47,3	47,7	0,3859	450	-	142	50,5	52,6	0,4471	500	-	167	54,1	56,2	0,5084	550	-	192	56,9	59,0	0,5696	560	-	197	57,5	59,6	0,5819	600	-	217	60,2	62,3	0,6309																																																																																																																																																																																																																																																																																																																																																																																																																												
600	-	217	55,3	57,4	0,5536	630	-	232	57,1	59,2	0,5859	650	7	242	58,3	60,4	0,6074	700	32	267	61,4	63,5	0,6611	710	37	272	62,0	64,1	0,6719	750	57	292	64,4	66,5	0,7149	800	82	317	67,5	69,6	0,7686	200	-	17	33,1	33,2	0,1409	225	-	29	35,1	35,2	0,1715	250	-	42	37,0	37,4	0,2021	280	-	57	39,3	39,7	0,2389	300	-	67	40,5	40,9	0,2634	315	-	74	41,5	41,9	0,2818	355	-	94	44,3	44,7	0,3308	400	-	117	47,3	47,7	0,3859	450	-	142	50,5	52,6	0,4471	500	-	167	54,1	56,2	0,5084	550	-	192	56,9	59,0	0,5696	560	-	197	57,5	59,6	0,5819	600	-	217	60,2	62,3	0,6309																																																																																																																																																																																																																																																																																																																																																																																																																																		
630	-	232	57,1	59,2	0,5859	650	7	242	58,3	60,4	0,6074	700	32	267	61,4	63,5	0,6611	710	37	272	62,0	64,1	0,6719	750	57	292	64,4	66,5	0,7149	800	82	317	67,5	69,6	0,7686	200	-	17	33,1	33,2	0,1409	225	-	29	35,1	35,2	0,1715	250	-	42	37,0	37,4	0,2021	280	-	57	39,3	39,7	0,2389	300	-	67	40,5	40,9	0,2634	315	-	74	41,5	41,9	0,2818	355	-	94	44,3	44,7	0,3308	400	-	117	47,3	47,7	0,3859	450	-	142	50,5	52,6	0,4471	500	-	167	54,1	56,2	0,5084	550	-	192	56,9	59,0	0,5696	560	-	197	57,5	59,6	0,5819	600	-	217	60,2	62,3	0,6309																																																																																																																																																																																																																																																																																																																																																																																																																																								
650	7	242	58,3	60,4	0,6074	700	32	267	61,4	63,5	0,6611	710	37	272	62,0	64,1	0,6719	750	57	292	64,4	66,5	0,7149	800	82	317	67,5	69,6	0,7686	200	-	17	33,1	33,2	0,1409	225	-	29	35,1	35,2	0,1715	250	-	42	37,0	37,4	0,2021	280	-	57	39,3	39,7	0,2389	300	-	67	40,5	40,9	0,2634	315	-	74	41,5	41,9	0,2818	355	-	94	44,3	44,7	0,3308	400	-	117	47,3	47,7	0,3859	450	-	142	50,5	52,6	0,4471	500	-	167	54,1	56,2	0,5084	550	-	192	56,9	59,0	0,5696	560	-	197	57,5	59,6	0,5819	600	-	217	60,2	62,3	0,6309																																																																																																																																																																																																																																																																																																																																																																																																																																														
700	32	267	61,4	63,5	0,6611	710	37	272	62,0	64,1	0,6719	750	57	292	64,4	66,5	0,7149	800	82	317	67,5	69,6	0,7686	200	-	17	33,1	33,2	0,1409	225	-	29	35,1	35,2	0,1715	250	-	42	37,0	37,4	0,2021	280	-	57	39,3	39,7	0,2389	300	-	67	40,5	40,9	0,2634	315	-	74	41,5	41,9	0,2818	355	-	94	44,3	44,7	0,3308	400	-	117	47,3	47,7	0,3859	450	-	142	50,5	52,6	0,4471	500	-	167	54,1	56,2	0,5084	550	-	192	56,9	59,0	0,5696	560	-	197	57,5	59,6	0,5819	600	-	217	60,2	62,3	0,6309																																																																																																																																																																																																																																																																																																																																																																																																																																																				
710	37	272	62,0	64,1	0,6719	750	57	292	64,4	66,5	0,7149	800	82	317	67,5	69,6	0,7686	200	-	17	33,1	33,2	0,1409	225	-	29	35,1	35,2	0,1715	250	-	42	37,0	37,4	0,2021	280	-	57	39,3	39,7	0,2389	300	-	67	40,5	40,9	0,2634	315	-	74	41,5	41,9	0,2818	355	-	94	44,3	44,7	0,3308	400	-	117	47,3	47,7	0,3859	450	-	142	50,5	52,6	0,4471	500	-	167	54,1	56,2	0,5084	550	-	192	56,9	59,0	0,5696	560	-	197	57,5	59,6	0,5819	600	-	217	60,2	62,3	0,6309																																																																																																																																																																																																																																																																																																																																																																																																																																																										
750	57	292	64,4	66,5	0,7149	800	82	317	67,5	69,6	0,7686	200	-	17	33,1	33,2	0,1409	225	-	29	35,1	35,2	0,1715	250	-	42	37,0	37,4	0,2021	280	-	57	39,3	39,7	0,2389	300	-	67	40,5	40,9	0,2634	315	-	74	41,5	41,9	0,2818	355	-	94	44,3	44,7	0,3308	400	-	117	47,3	47,7	0,3859	450	-	142	50,5	52,6	0,4471	500	-	167	54,1	56,2	0,5084	550	-	192	56,9	59,0	0,5696	560	-	197	57,5	59,6	0,5819	600	-	217	60,2	62,3	0,6309																																																																																																																																																																																																																																																																																																																																																																																																																																																																
800	82	317	67,5	69,6	0,7686	200	-	17	33,1	33,2	0,1409	225	-	29	35,1	35,2	0,1715	250	-	42	37,0	37,4	0,2021	280	-	57	39,3	39,7	0,2389	300	-	67	40,5	40,9	0,2634	315	-	74	41,5	41,9	0,2818	355	-	94	44,3	44,7	0,3308	400	-	117	47,3	47,7	0,3859	450	-	142	50,5	52,6	0,4471	500	-	167	54,1	56,2	0,5084	550	-	192	56,9	59,0	0,5696	560	-	197	57,5	59,6	0,5819	600	-	217	60,2	62,3	0,6309																																																																																																																																																																																																																																																																																																																																																																																																																																																																						
200	-	17	33,1	33,2	0,1409	225	-	29	35,1	35,2	0,1715	250	-	42	37,0	37,4	0,2021	280	-	57	39,3	39,7	0,2389	300	-	67	40,5	40,9	0,2634	315	-	74	41,5	41,9	0,2818	355	-	94	44,3	44,7	0,3308	400	-	117	47,3	47,7	0,3859	450	-	142	50,5	52,6	0,4471	500	-	167	54,1	56,2	0,5084	550	-	192	56,9	59,0	0,5696	560	-	197	57,5	59,6	0,5819	600	-	217	60,2	62,3	0,6309																																																																																																																																																																																																																																																																																																																																																																																																																																																																												
225	-	29	35,1	35,2	0,1715	250	-	42	37,0	37,4	0,2021	280	-	57	39,3	39,7	0,2389	300	-	67	40,5	40,9	0,2634	315	-	74	41,5	41,9	0,2818	355	-	94	44,3	44,7	0,3308	400	-	117	47,3	47,7	0,3859	450	-	142	50,5	52,6	0,4471	500	-	167	54,1	56,2	0,5084	550	-	192	56,9	59,0	0,5696	560	-	197	57,5	59,6	0,5819	600	-	217	60,2	62,3	0,6309																																																																																																																																																																																																																																																																																																																																																																																																																																																																																		
250	-	42	37,0	37,4	0,2021	280	-	57	39,3	39,7	0,2389	300	-	67	40,5	40,9	0,2634	315	-	74	41,5	41,9	0,2818	355	-	94	44,3	44,7	0,3308	400	-	117	47,3	47,7	0,3859	450	-	142	50,5	52,6	0,4471	500	-	167	54,1	56,2	0,5084	550	-	192	56,9	59,0	0,5696	560	-	197	57,5	59,6	0,5819	600	-	217	60,2	62,3	0,6309																																																																																																																																																																																																																																																																																																																																																																																																																																																																																								
280	-	57	39,3	39,7	0,2389	300	-	67	40,5	40,9	0,2634	315	-	74	41,5	41,9	0,2818	355	-	94	44,3	44,7	0,3308	400	-	117	47,3	47,7	0,3859	450	-	142	50,5	52,6	0,4471	500	-	167	54,1	56,2	0,5084	550	-	192	56,9	59,0	0,5696	560	-	197	57,5	59,6	0,5819	600	-	217	60,2	62,3	0,6309																																																																																																																																																																																																																																																																																																																																																																																																																																																																																														
300	-	67	40,5	40,9	0,2634	315	-	74	41,5	41,9	0,2818	355	-	94	44,3	44,7	0,3308	400	-	117	47,3	47,7	0,3859	450	-	142	50,5	52,6	0,4471	500	-	167	54,1	56,2	0,5084	550	-	192	56,9	59,0	0,5696	560	-	197	57,5	59,6	0,5819	600	-	217	60,2	62,3	0,6309																																																																																																																																																																																																																																																																																																																																																																																																																																																																																																				
315	-	74	41,5	41,9	0,2818	355	-	94	44,3	44,7	0,3308	400	-	117	47,3	47,7	0,3859	450	-	142	50,5	52,6	0,4471	500	-	167	54,1	56,2	0,5084	550	-	192	56,9	59,0	0,5696	560	-	197	57,5	59,6	0,5819	600	-	217	60,2	62,3	0,6309																																																																																																																																																																																																																																																																																																																																																																																																																																																																																																										
355	-	94	44,3	44,7	0,3308	400	-	117	47,3	47,7	0,3859	450	-	142	50,5	52,6	0,4471	500	-	167	54,1	56,2	0,5084	550	-	192	56,9	59,0	0,5696	560	-	197	57,5	59,6	0,5819	600	-	217	60,2	62,3	0,6309																																																																																																																																																																																																																																																																																																																																																																																																																																																																																																																
400	-	117	47,3	47,7	0,3859	450	-	142	50,5	52,6	0,4471	500	-	167	54,1	56,2	0,5084	550	-	192	56,9	59,0	0,5696	560	-	197	57,5	59,6	0,5819	600	-	217	60,2	62,3	0,6309																																																																																																																																																																																																																																																																																																																																																																																																																																																																																																																						
450	-	142	50,5	52,6	0,4471	500	-	167	54,1	56,2	0,5084	550	-	192	56,9	59,0	0,5696	560	-	197	57,5	59,6	0,5819	600	-	217	60,2	62,3	0,6309																																																																																																																																																																																																																																																																																																																																																																																																																																																																																																																												
500	-	167	54,1	56,2	0,5084	550	-	192	56,9	59,0	0,5696	560	-	197	57,5	59,6	0,5819	600	-	217	60,2	62,3	0,6309																																																																																																																																																																																																																																																																																																																																																																																																																																																																																																																																		
550	-	192	56,9	59,0	0,5696	560	-	197	57,5	59,6	0,5819	600	-	217	60,2	62,3	0,6309																																																																																																																																																																																																																																																																																																																																																																																																																																																																																																																																								
560	-	197	57,5	59,6	0,5819	600	-	217	60,2	62,3	0,6309																																																																																																																																																																																																																																																																																																																																																																																																																																																																																																																																														
600	-	217	60,2	62,3	0,6309																																																																																																																																																																																																																																																																																																																																																																																																																																																																																																																																																				

Sizes in increments of 5 mm can be manufactured on request.

* For designs with BKN a weight of 0.5 kg must be added.

A x B [mm]	Damper blades overlaps		Weight		Effective area Sef [m ²]	Spring return actuator	Manual control	A x B [mm]	Damper blades overlaps		Weight		Effective area Sef [m ²]	Spring return actuator	Manual control		
	a [mm]	c [mm]	Man. [kg]	Actu. [kg]*					a [mm]	c [mm]	Man. [kg]	Actu. [kg]*					
1250 x	630	-	232	62,2	64,3	0,6676	M3	1400 x	710	37	272	73,8	75,9	0,8594	BF	M5	
	650	7	242	63,5	65,6	0,6921			750	57	292	76,7	78,8	0,9144			
	700	32	267	66,8	68,9	0,7534			800	82	317	80,3	82,4	0,9831			
	710	37	272	67,4	69,5	0,7656	200		-	17	38,4	38,5	0,1696	BFL			
	750	57	292	70,0	72,1	0,8146			225	-	29	40,8	40,9				0,2065
	800	82	317	73,3	75,4	0,8759			250	-	42	43,0	43,4				0,2434
1400 x	200	-	17	36,3	36,4	0,1581	BFL	280	-	57	45,6	46,0	0,2876	M2			
	225	-	29	38,5	38,6	0,1925		300	-	67	46,9	47,3	0,3171		BFN		
	250	-	42	40,6	41,0	0,2269		315	-	74	48,1	48,5	0,3393				
	280	-	57	43,1	43,5	0,2681	M2	355	-	94	51,3	51,7	0,3983	M3			
	300	-	67	44,4	44,8	0,2956		400	-	117	54,8	56,9	0,4646				
	315	-	74	45,4	45,8	0,3163		450	-	142	58,5	60,6	0,5384				
	355	-	94	48,5	48,9	0,3713	BFN	1500 x	500	-	167	62,6	64,7	0,6121	BF	M4	
	400	-	117	51,8	53,9	0,4331			550	-	192	65,9	68,0	0,6859			
	450	-	142	55,3	57,4	0,5019			560	-	197	66,7	68,8	0,7006			
	500	-	167	59,2	61,3	0,5706	600		-	217	69,7	71,8	0,7596				
	550	-	192	62,3	64,4	0,6394	M3		630	-	232	72,0	74,1	0,8039			
	560	-	197	63,0	65,1	0,6531			650	7	242	73,5	75,6	0,8334			
	600	-	217	65,9	68,0	0,7081			700	32	267	77,3	79,4	0,9071			
	630	-	232	68,0	70,1	0,7494	BF		710	37	272	78,1	80,2	0,9219			M5
650	7	242	69,5	71,6	0,7769	750			57	292	81,1	83,2	0,9809				
700	32	267	73,1	75,2	0,8456	800			82	317	84,9	87,0	1,0546				

Sizes in increments of 5 mm can be manufactured on request.

* For designs with BKN a weight of 0.5 kg must be added.

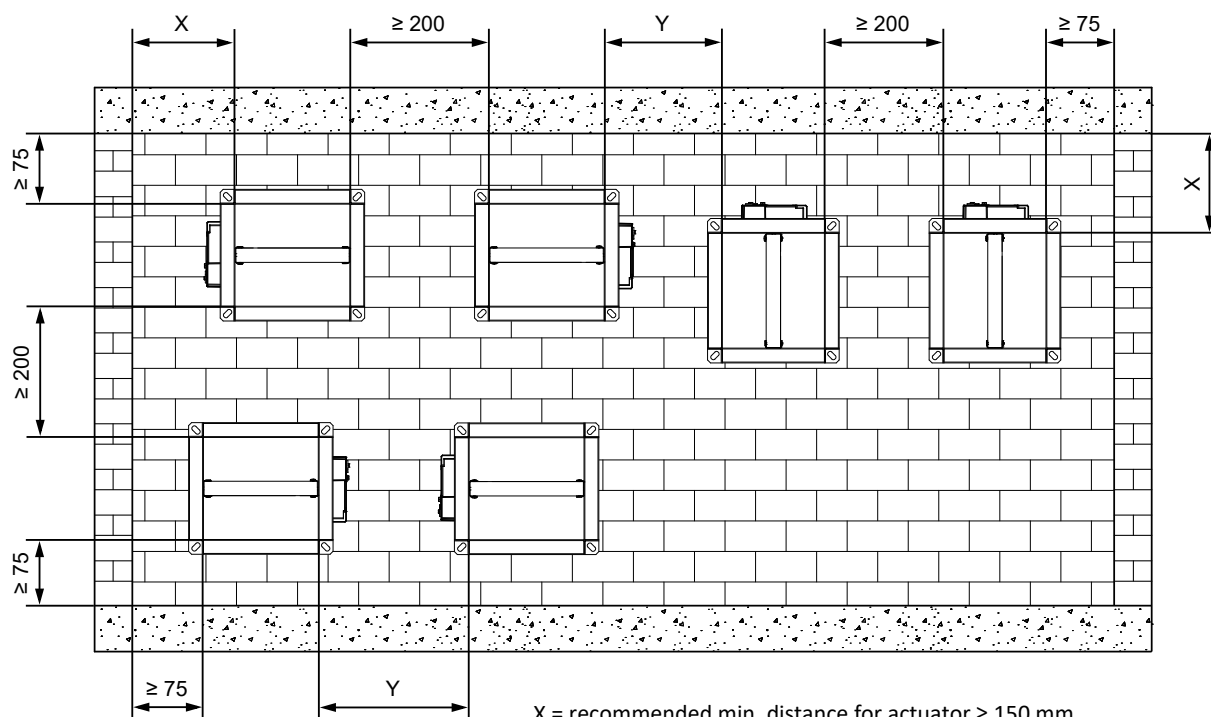
IV. INSTALLATION

Placement and installation

- The fire dampers are suitable for installation in arbitrary position in vertical and horizontal passages of fire separating constructions. The damper installation procedures must be done so that all load transfer from the fire separating constructions to the damper is absolutely excluded. Following air-conditioning duct must be suspended or supported so that all load transfer from the following duct to the fire damper is absolutely excluded. The gap between the installed damper and the fire separating construction must be perfectly filled with approved material.
- The damper must be installed so that the damper blade (in closed position) is situated in the fire separating construction - marked by the label BUILT-IN EDGE on the damper casing. If such solution is not possible, the duct between the fire separating construction and the damper blade must be protected according to the certified installation method → see pages 27 to 28
- During the installation and plastering process, the actuating mechanism must be protected (covered) against damage and pollution. The damper casing should not be deformed during bricking in. Once the damper is built in, the damper blade should not grind against the damper casing during opening or closing.
- The distance between the fire damper and the construction (wall, ceiling) must be 75 mm at the minimum, according to EN 1366-2. If two or more dampers are to be installed in one fire separating construction, the distance between adjacent dampers must be 200 mm at the minimum, according to EN 1366-2.

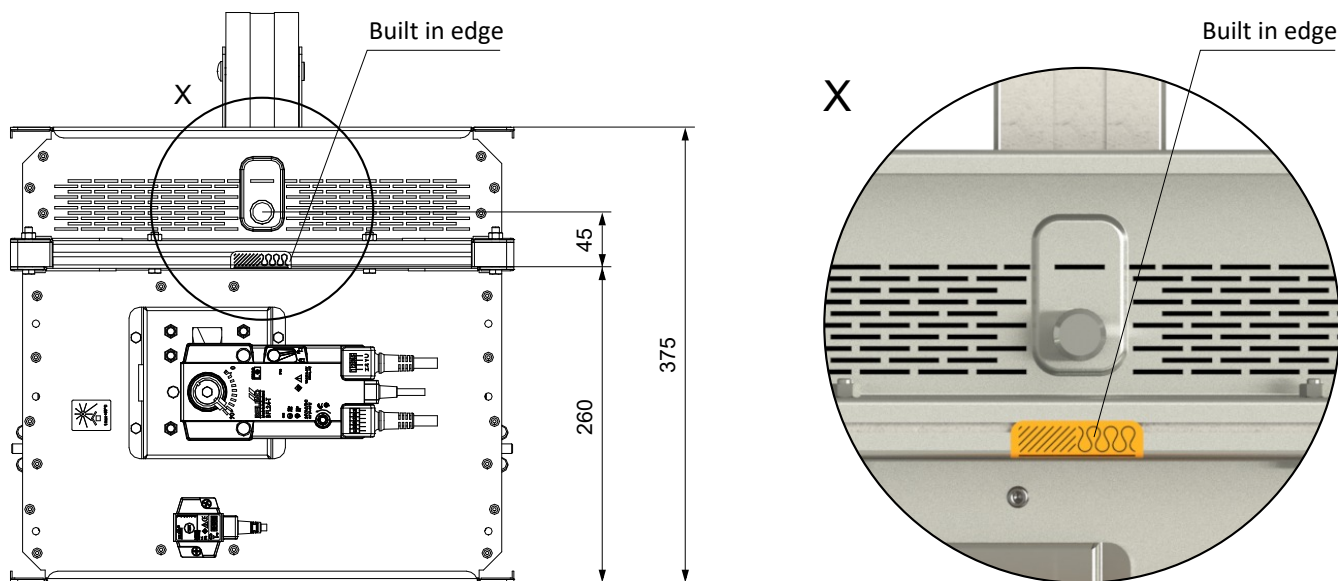
Minimum distance between the fire dampers and the construction

- minimum distance 200 mm between dampers, according to EN 1366-2
- minimum distance 75 mm between damper and construction (wall/ceiling), according to EN 1366-2
- recommended minimum distance 150 mm necessary for access to the actuator
- recommended minimum distance 250 mm necessary for access to the manual control



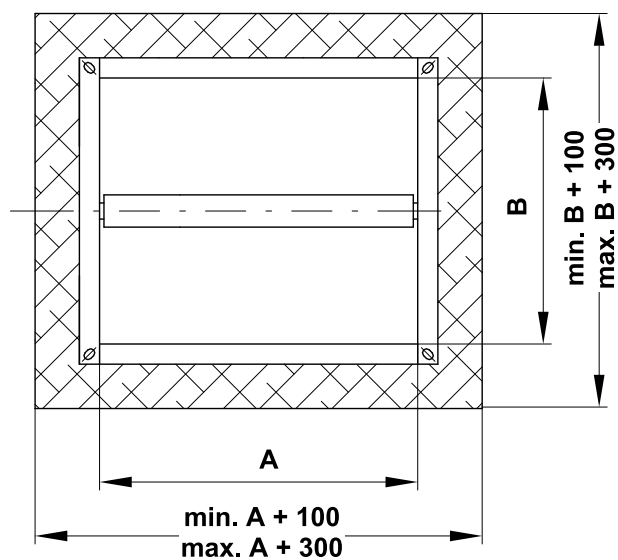
- X = recommended min. distance for actuator ≥ 150 mm
 X = recommended min. distance for manual control ≥ 250 mm
- Y = min. distance for actuator ≥ 200 mm acc. to EN 1366-2
 Y = recommended min. distance for manual control ≥ 250 mm

Built in edge



"BUILT IN EDGE label" indicates the recommended edge of installation of a fire damper in the fire separating construction (wall/ceiling). The damper must be installed so that the entire damper blade (in the closed position) is located in the fire separating construction (wall/ceiling) and at the same time the actuating mechanism and inspection openings are freely accessible.

Dimensions of an installation opening



Statement of installations

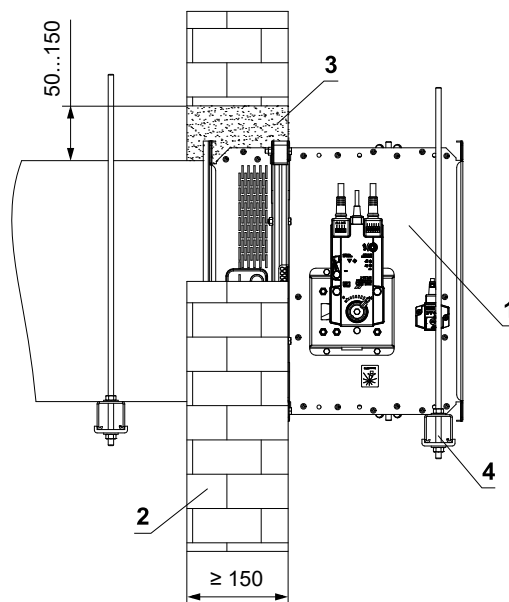
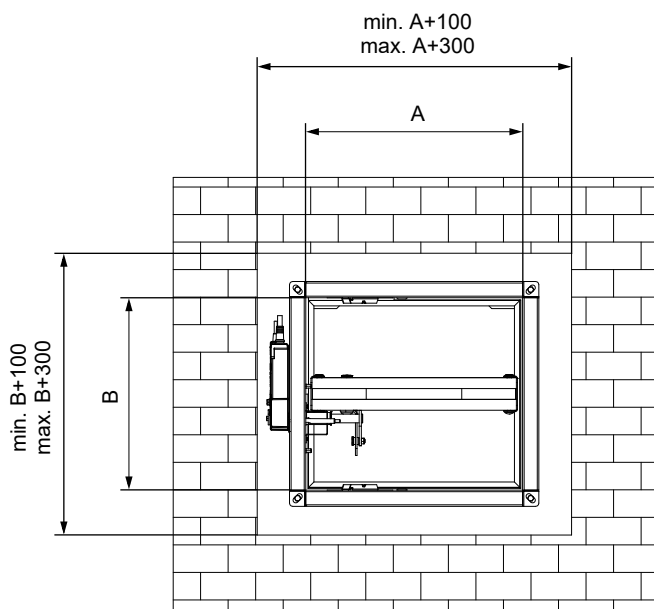
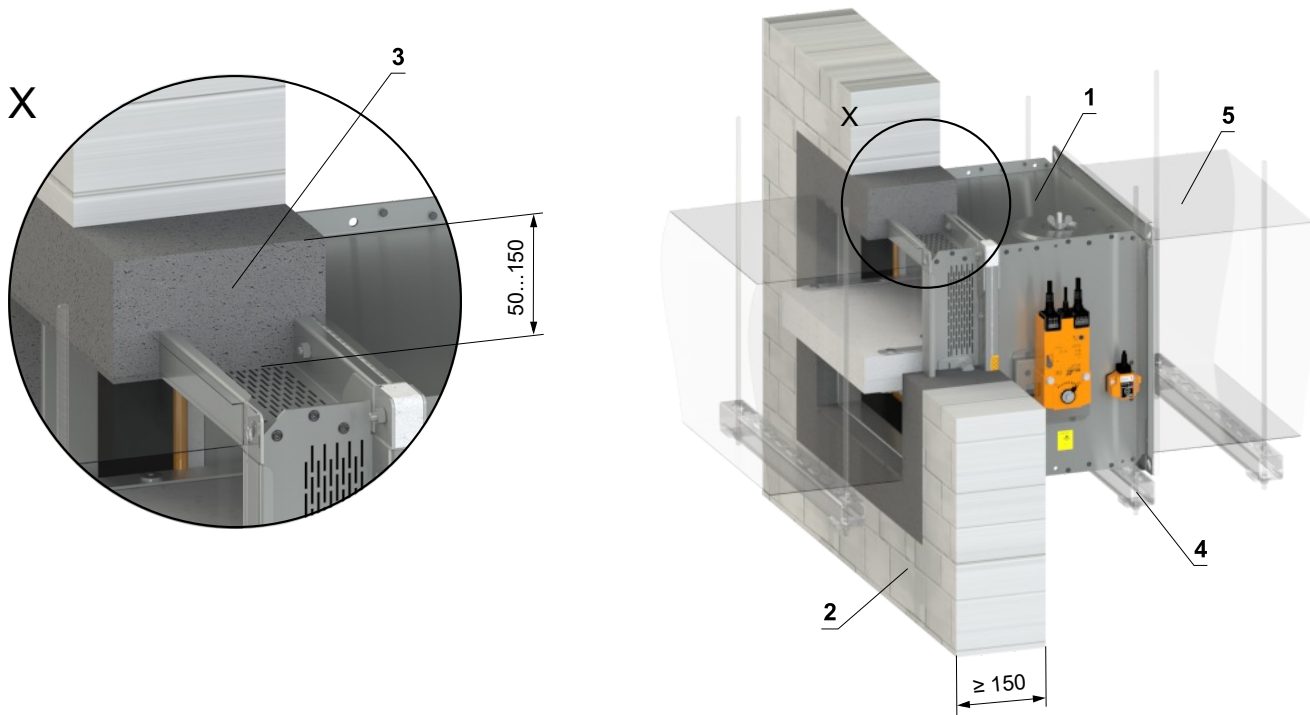
Placement	wall/ceiling min. thickness [mm]	Method of installation	Fire resistance	Page
In solid wall construction	150	Mortar or gypsum	EI 180 (v _e i↔o) S - 500 Pa	27
In solid ceiling construction	150	Mortar or gypsum	EI 180 (h _o i↔o) S - 500 Pa	28

Installation in solid wall construction

In solid wall construction - mortar or gypsum

EI 180 (v_e i↔o) S - 500 Pa

- For connection following duct → see page 32



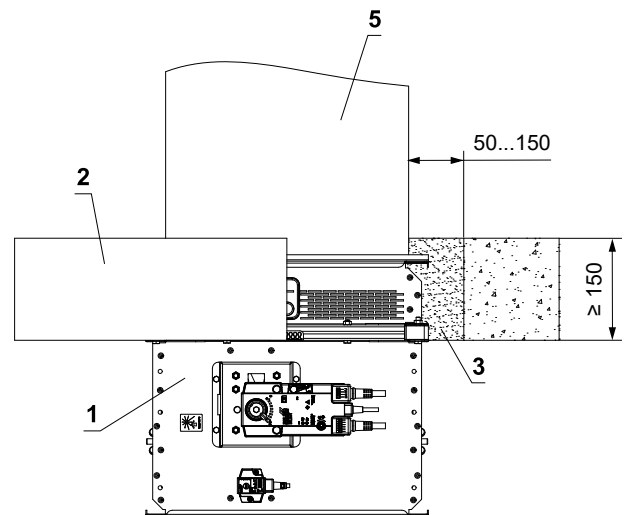
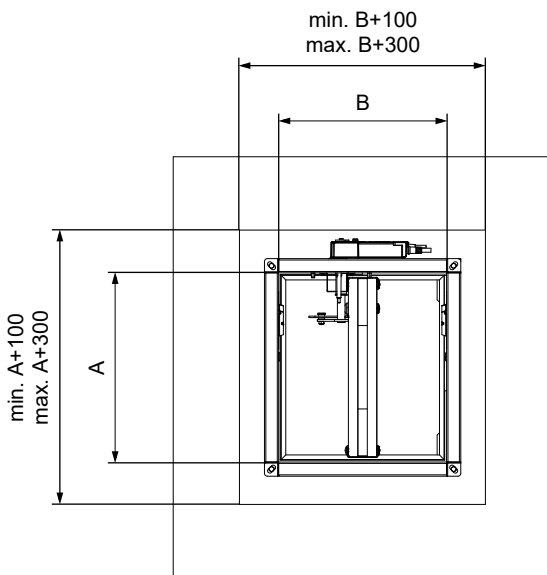
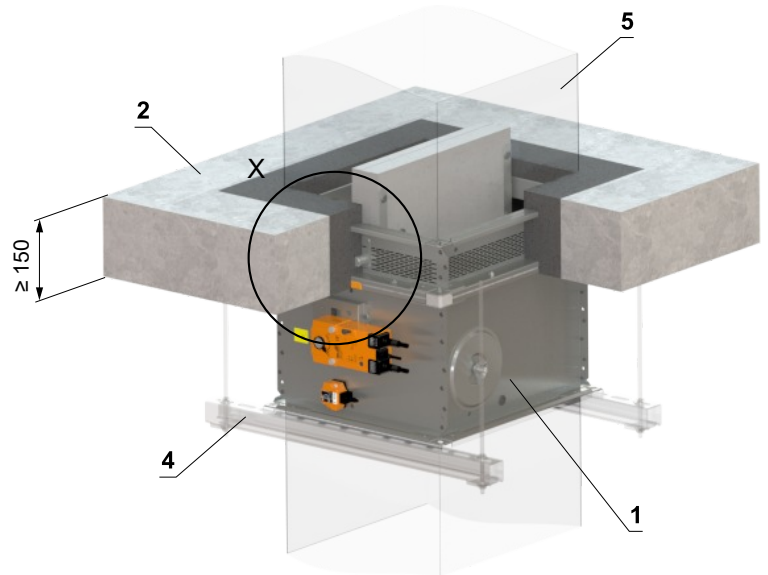
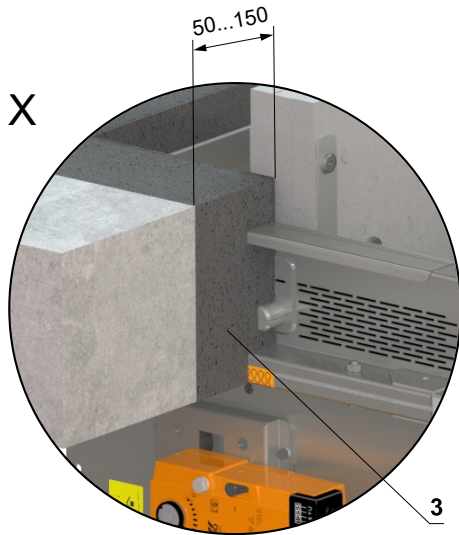
- 1 FDMQ 180
- 2 Solid wall construction
- 3 Mortar or gypsum
- 4 Profile with threaded rod → see pages 29 to 31
- 5 Duct

Installation in solid ceiling construction

In solid ceiling construction - mortar or gypsum

EI 180 ($h_o \leftrightarrow o$) S - 500 Pa

- For connection following duct → see page 32



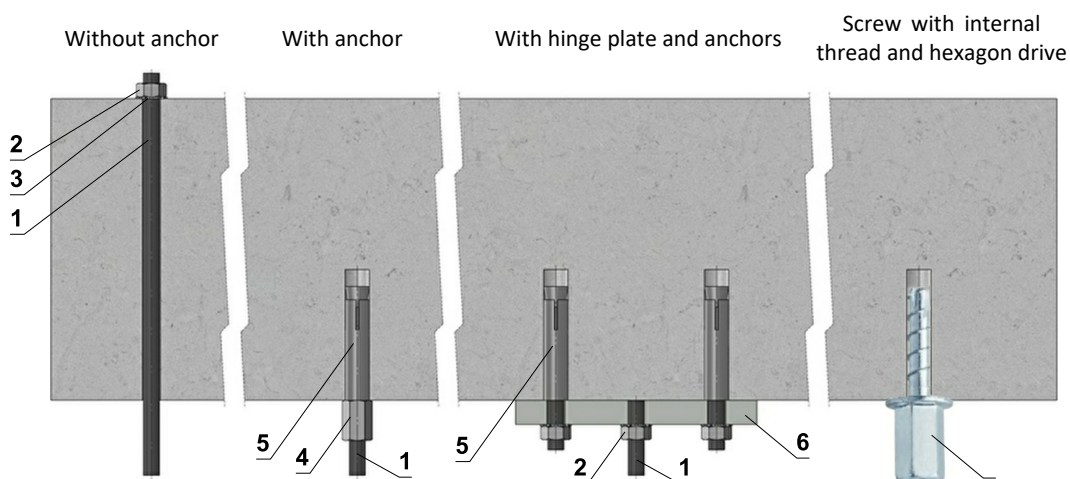
- 1 FDMQ 180
- 2 Solid ceiling construction
- 3 Mortar or gypsum
- 4 Profile with threaded rod → see pages 29 to 31
- 5 Duct

V. SUSPENSION SYSTEMS

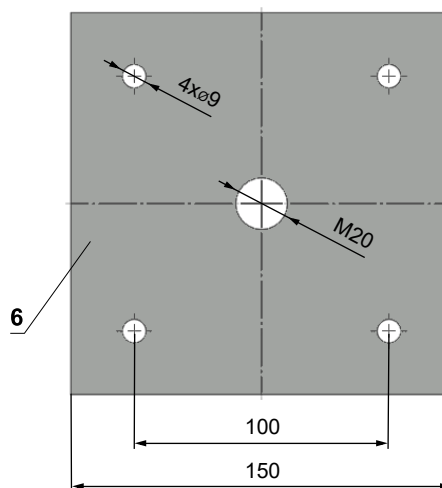
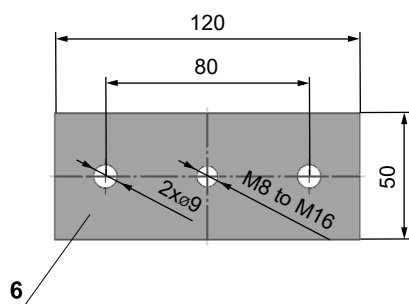
Mounting to the ceiling wall

- The dampers must be suspended using threaded rods and mounting profiles. Their dimensioning depend on the weight of the damper.
- The dampers and the duct must be suspended separately.
- Following air-conditioning duct must be suspended or supported so that all load transfer from the following duct to the damper flanges is absolutely excluded. Adjacent duct must be suspended or supported, as required by the duct suppliers.
- Threaded rods longer than 1,5 m must be protected by fire insulation.

Examples of anchoring to the ceiling construction Follow the instructions of fixing specialist or installation company



Hinge plates



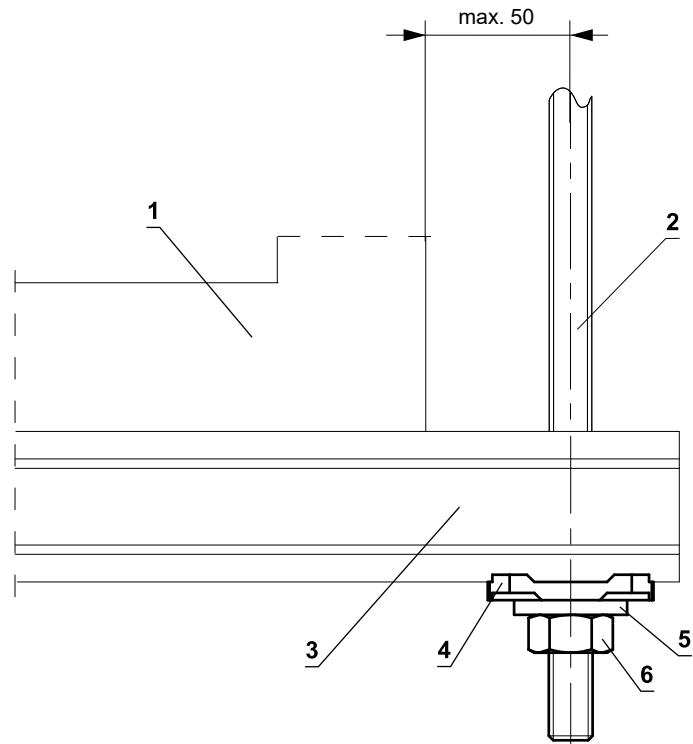
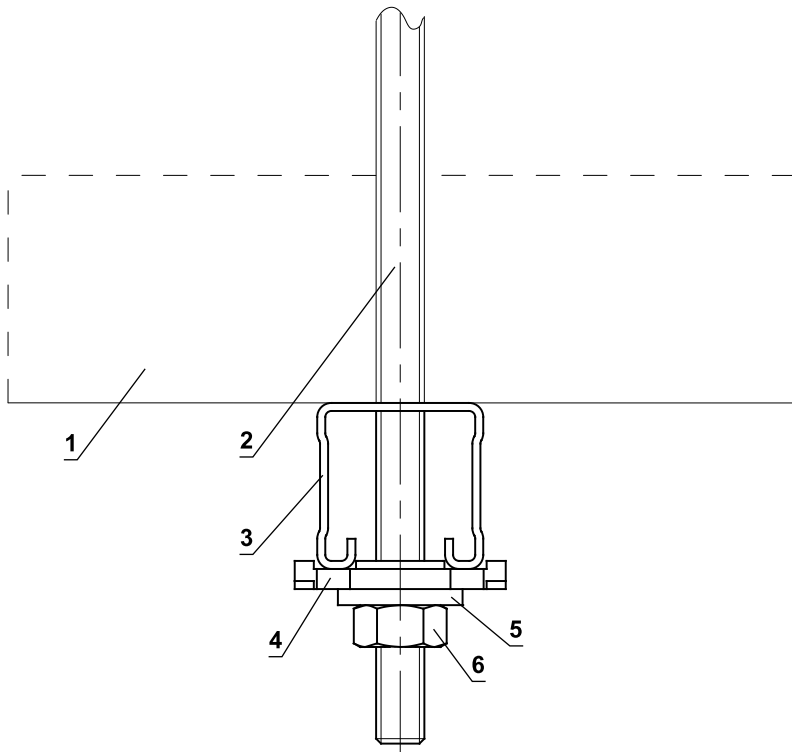
- If in doubt, always consult an anchor specialist engineer such as Halfen or Hilti.

Load capacities of threaded rods at the required fire resistance 120 min. < t ≤ 240 min.

Size	As [mm ²]	Weight [kg]	
		for 1 rod	for 2 rods
M8	36,6	11	22
M10	58	17,5	35
M12	84,3	26	52
M16	157	48	96
M18	192	58,5	117
M20	245	75	150

- 1 Threaded rod M8 - M20
- 2 Nut M8 - M20
- 3 Washer for M8 - M20
- 4 Coupling Nut M8 - M20
- 5 Anchor
- 6 Hinge plate - min. thickness 10 mm
- 7 Concrete screw tested for fire resistance R30-R90, max. Tension up to 0.75 KN (length 35 mm)

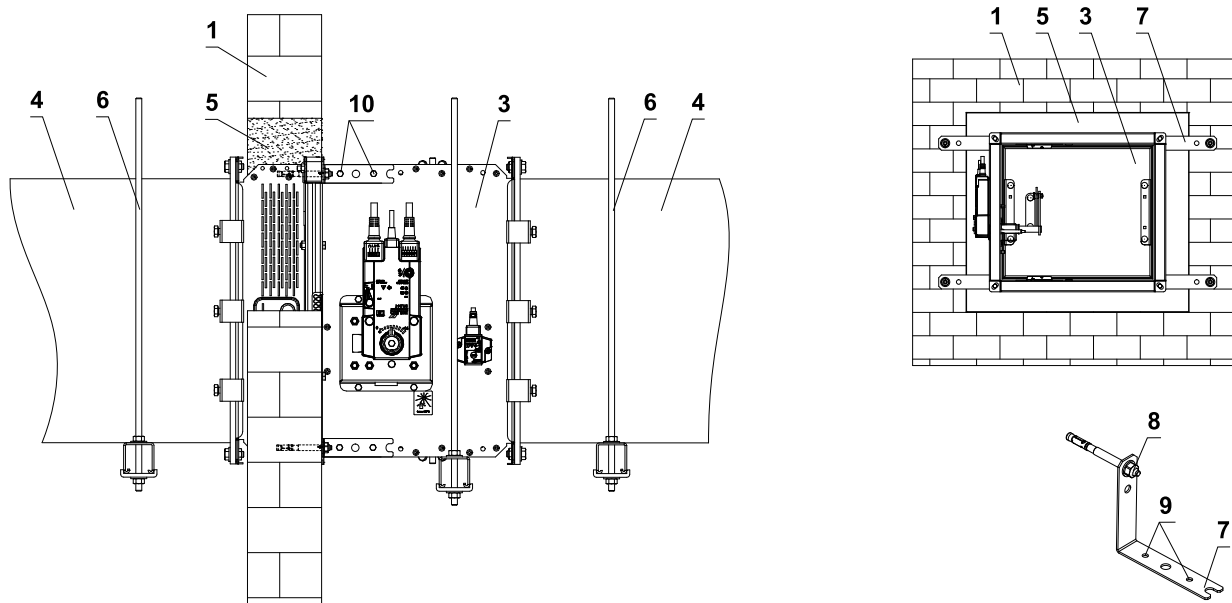
Example of placing of mounting profiles HILTI



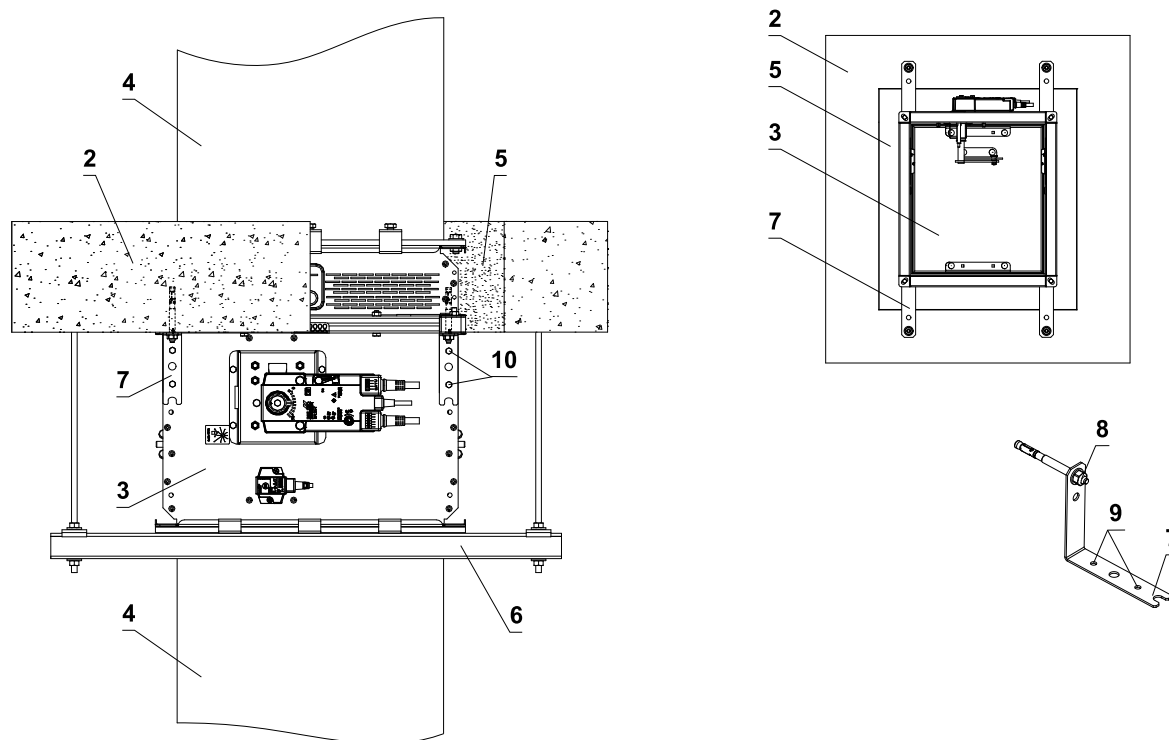
- 1 FDMQ 180
- 2 Threaded rod M8 - M12
- 3 Support HILTI MQ-41 or MQ-41/3
- 4 Bored plate HILTI MQZ-L
- 5 Washer for M8 - M12
- 6 Nut M8 - M12

Example of fixing FDMQ 180

In solid wall construction



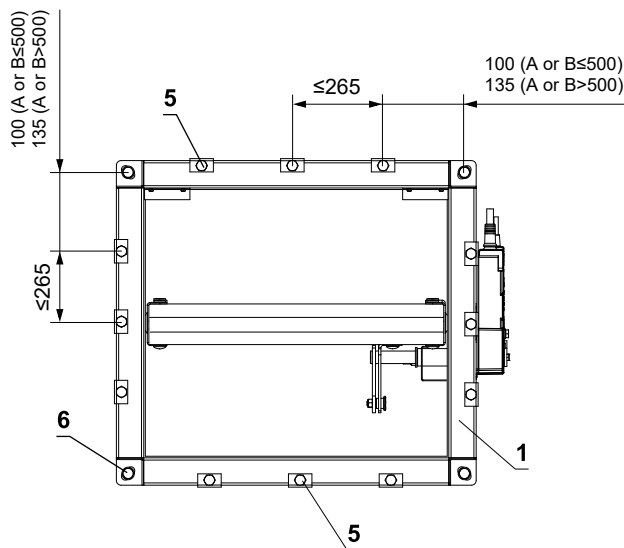
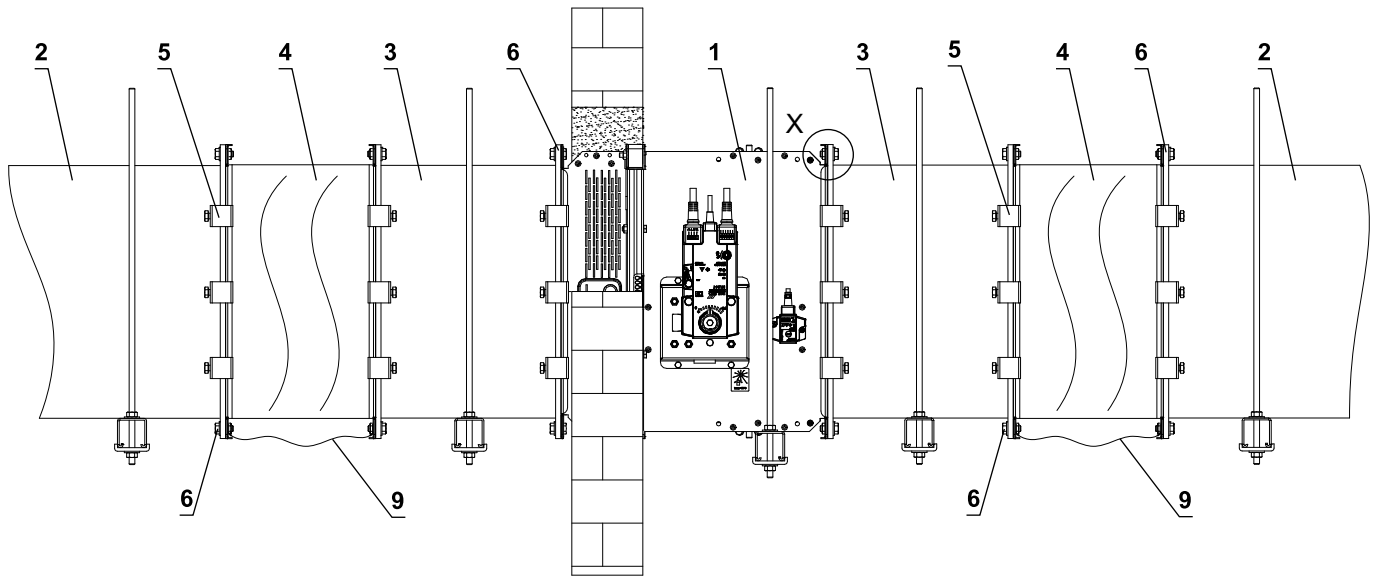
In gypsum wall construction



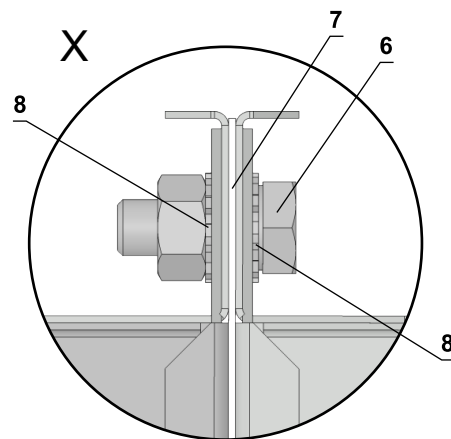
- 1 Solid wall construction
- 2 Solid ceiling construction
- 3 FDMQ 180
- 4 Duct
- 5 Mortar or gypsum
- 6 Profile with threaded rod → see page 30
- 7 Fixing element/steel holder for connecting damper to the wall (optional accessories MANDIK, a.s. or sheet metal min. thickness 2 mm and min. width 60 mm)
- 8 Nut M8 with anchor
- 9 Installation holes
- 10 Screw assembly M6 (screw M6x10, nut M6)

■ The method of attachment must follow the minimum requirements for attachment and connection of ductwork in accordance with national regulations. Also, the elements can be suspended from the top, or supported from bottom, or fastened from the side.

Example of duct connection



Electrically conductive connection



* min. one connection must be electrically conductive

- 1 FDMQ 180
- 2 Duct
- 3 Extension piece (if required)
- 4 Damping pad
- 5 Steel clamp min. screw M8
- 6 Screw assembly M8 (screw M8x20 mm, 2 pcs toothed lock washer M8, nut M8) *
- 7 Sealing
- 8 Toothed lock washer M8
- 9 Protective bonding conductor

VI. TECHNICAL DATA

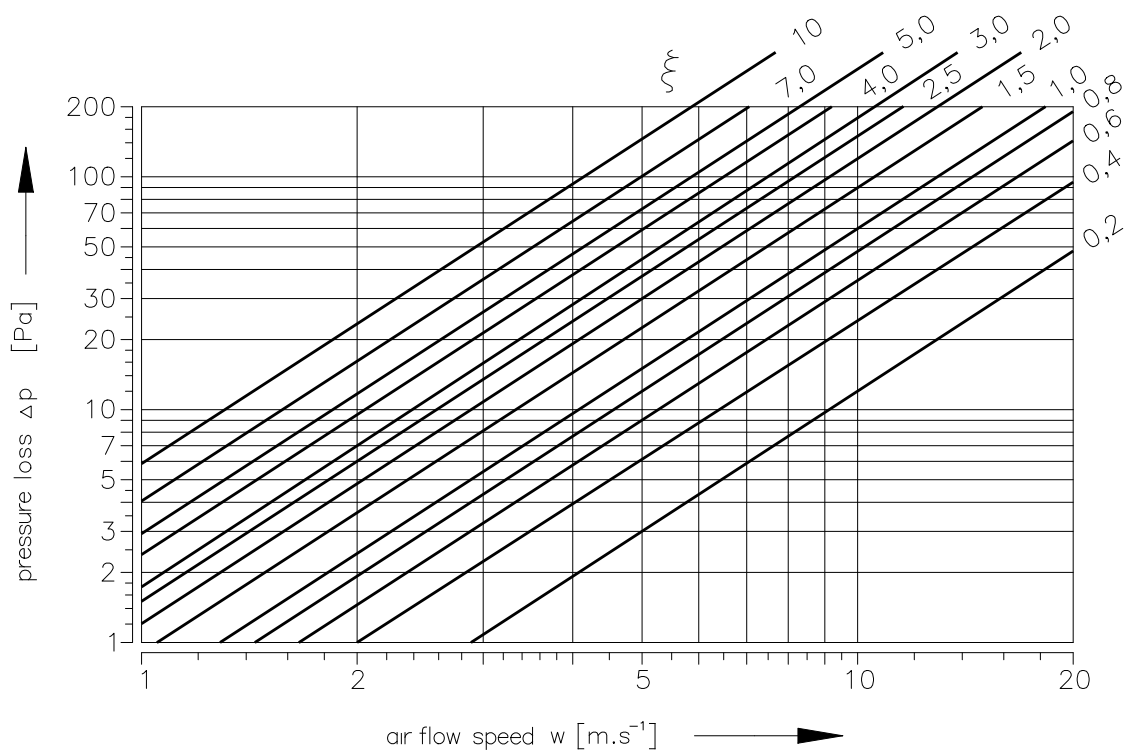
Pressure loss

Pressure loss calculation

$$\Delta p = \xi \cdot \rho \cdot \frac{w^2}{2}$$

Δp	[Pa]	pressure loss
w	[m/s]	air flow speed in nominal damper section
ρ	[kg/m ³]	air density
ξ	[-]	coefficient of local pressure loss for the nominal damper section → see page 34

Determination of pressure loss by using diagram $\rho = 1,2 \text{ kg/m}^3$



Coefficient of local pressure loss

B	A												
	200	225	250	280	300	315	355	400	450	500	550	560	600
200	2,035	1,953	1,878	1,775	1,714	1,634	1,565	1,508	1,459	1,419	1,401	1,385	1,363
225	1,516	1,374	1,347	1,310	1,270	1,225	1,165	1,106	1,088	1,053	1,023	1,011	1,003
250	1,218	1,174	1,134	1,071	1,014	0,976	0,932	0,899	0,869	0,846	0,831	0,823	0,816
280	1,107	1,061	1,024	0,974	0,914	0,863	0,805	0,779	0,757	0,744	0,735	0,718	0,712
300	0,981	0,943	0,901	0,848	0,798	0,742	0,710	0,695	0,658	0,649	0,643	0,639	0,624
315	0,815	0,788	0,755	0,716	0,673	0,647	0,619	0,594	0,574	0,559	0,548	0,543	0,536
355	0,686	0,655	0,629	0,598	0,568	0,545	0,519	0,500	0,482	0,468	0,460	0,456	0,451
400	0,590	0,563	0,542	0,512	0,493	0,467	0,447	0,428	0,414	0,402	0,395	0,390	0,387
450	0,517	0,496	0,477	0,454	0,427	0,408	0,391	0,375	0,362	0,350	0,348	0,342	0,337
500	0,465	0,447	0,433	0,405	0,387	0,367	0,350	0,336	0,325	0,315	0,312	0,308	0,302
550	0,440	0,422	0,407	0,383	0,359	0,341	0,331	0,313	0,301	0,299	0,290	0,287	0,284
560	0,421	0,406	0,387	0,364	0,349	0,331	0,316	0,303	0,293	0,285	0,281	0,277	0,275
600	0,399	0,382	0,369	0,346	0,328	0,313	0,300	0,292	0,281	0,269	0,263	0,254	0,251
630	0,384	0,370	0,356	0,334	0,317	0,302	0,288	0,277	0,267	0,259	0,246	0,251	0,249
650	0,369	0,354	0,341	0,321	0,308	0,294	0,276	0,266	0,259	0,249	0,237	0,241	0,238
700	0,359	0,344	0,332	0,316	0,299	0,284	0,271	0,258	0,252	0,242	0,229	0,228	0,226
710	0,354	0,340	0,326	0,310	0,294	0,277	0,265	0,255	0,245	0,238	0,226	0,226	0,224
750	0,340	0,331	0,318	0,295	0,279	0,267	0,254	0,245	0,237	0,229	0,226	0,222	0,218
800	0,329	0,318	0,305	0,290	0,272	0,258	0,246	0,236	0,227	0,221	0,217	0,215	0,211

B	A											
	630	650	700	710	750	800	900	1000	1100	1250	1400	1500
200	1,352	1,337	1,327	1,323	1,311	1,298	1,276	1,260	1,244	1,229	1,218	1,210
225	0,989	0,965	0,956	0,946	0,938	0,930	0,913	0,901	0,889	0,870	0,854	0,849
250	0,803	0,793	0,792	0,786	0,779	0,771	0,757	0,748	0,738	0,729	0,722	0,718
280	0,709	0,682	0,676	0,670	0,664	0,655	0,647	0,637	0,622	0,607	0,597	0,586
300	0,607	0,602	0,601	0,600	0,593	0,583	0,573	0,556	0,544	0,536	0,534	0,526
315	0,530	0,523	0,521	0,519	0,512	0,508	0,500	0,493	0,487	0,481	0,475	0,473
355	0,445	0,438	0,436	0,435	0,429	0,427	0,419	0,413	0,407	0,403	0,398	0,396
400	0,381	0,374	0,373	0,372	0,368	0,365	0,357	0,353	0,348	0,345	0,342	0,338
450	0,333	0,328	0,327	0,326	0,323	0,318	0,313	0,309	0,305	0,302	0,297	0,296
500	0,299	0,298	0,294	0,292	0,289	0,287	0,281	0,277	0,274	0,270	0,268	0,266
550	0,281	0,275	0,270	0,268	0,265	0,264	0,259	0,256	0,252	0,247	0,244	0,243
560	0,270	0,267	0,266	0,264	0,261	0,258	0,254	0,250	0,247	0,243	0,241	0,240
600	0,250	0,248	0,247	0,246	0,242	0,237	0,235	0,231	0,228	0,224	0,222	0,220
630	0,246	0,243	0,242	0,241	0,238	0,234	0,231	0,228	0,225	0,221	0,219	0,217
650	0,235	0,233	0,230	0,229	0,227	0,224	0,218	0,215	0,213	0,208	0,205	0,203
700	0,226	0,225	0,224	0,222	0,220	0,217	0,214	0,211	0,209	0,206	0,203	0,200
710	0,224	0,223	0,222	0,220	0,218	0,216	0,212	0,208	0,206	0,203	0,201	0,199
750	0,214	0,212	0,211	0,210	0,209	0,207	0,203	0,198	0,195	0,193	0,191	0,189
800	0,209	0,207	0,206	0,205	0,203	0,200	0,197	0,193	0,191	0,188	0,187	0,186

Noise data

Level of acoustic output corrected with filter A

$$L_{WA} = L_{W1} + 10 \log(S) + K_A$$

L_{WA}	[dB(A)]	level of acoustic output corrected with filter A
L_{W1}	[dB]	level of acoustic output L_{W1} related to the 1 m ² section
S	[m ²]	duct cross section
K_A	[dB]	correction to the weight filter A

Level of acoustic output in octave ranges

$$L_{Woct} = L_{W1} + 10 \log(S) + L_{rel}$$

L_{Woct}	[dB]	spectrum of acoustic output in octave range
L_{W1}	[dB]	level of acoustic output L_{W1} related to the 1 m ² section
S	[m ²]	duct cross section
L_{rel}	[dB]	relative level expressing the shape of the spectrum

Tables of acoustics values

Level of acoustic output L_{W1} [dB] related to the 1 m² section

w [m/s]	ξ [-]																
	0,2	0,3	0,4	0,5	0,6	0,7	0,8	0,9	1	1,5	2	2,5	3	4	5	8	10
2	15,5	18,7	20,9	22,6	24	25,2	26,3	27,2	28	31,2	33,4	35,1	36,5	38,8	40,5	44,2	45,9
3	26,1	29,2	31,5	33,2	34,6	35,8	36,9	37,8	38,6	41,7	44	45,7	47,1	49,4	51,1	54,7	56,5
4	33,6	36,7	39	40,7	42,1	43,3	44,3	45,3	46,1	49,2	51,5	53,2	54,6	56,9	58,6	62,2	64
5	39,4	42,5	44,8	46,5	47,9	49,1	50,2	51,1	51,9	55	57,3	59	60,4	62,7	64,4	68	69,8
6	44,1	47,3	49,5	51,3	52,7	53,9	54,9	55,8	56,6	59,8	62	63,8	65,2	67,4	69,2	72,8	74,5
7	48,2	51,3	53,5	55,3	56,7	57,9	58,9	59,8	60,7	63,8	66,1	67,8	69,2	71,4	73,2	76,8	78,6
8	51,6	54,8	57	58,8	60,2	61,4	62,4	63,3	64,1	67,3	69,5	71,3	72,7	74,9	76,7	80,3	82
9	54,7	57,9	60,1	61,8	63,2	64,4	65,5	66,4	67,2	70,4	72,6	74,3	75,7	78	79,7	83,4	85,1
10	57,4	60,6	62,8	64,6	66	67,2	68,2	69,1	70	73,1	75,3	77,1	78,5	80,7	82,5	86,1	87,9
11	59,9	63,1	65,3	67,1	68,5	69,7	70,7	71,6	72,4	75,6	77,8	79,6	81	83,2	85	88,6	90,3
12	62,2	65,4	67,6	69,3	70,7	71,9	73	73,9	74,7	77,9	80,1	81,8	83,2	85,5	87,2	90,9	92,6

Correction to the weight filter A

w [m/s]	2	3	4	5	6	7	8	9	10	11	12
K_A [dB]	-15	-11,8	-9,8	-8,4	-7,3	-6,4	-5,7	-5	-4,5	-4	-3,6

Relative level expressing the shape of the spectrum L_{rel}

w [m/s]	f [Hz]							
	63	125	250	500	1000	2000	4000	8000
2	-4,5	-6,9	-10,9	-16,7	-24,1	-33,2	-43,9	-56,4
3	-3,9	-5,3	-8,4	-13,1	-19,5	-27,6	-37,4	-48,9
4	-3,9	-4,5	-6,9	-10,9	-16,7	-24,1	-33,2	-43,9
5	-4	-4,1	-5,9	-9,4	-14,6	-21,5	-30,0	-40,3
6	-4,2	-3,9	-5,3	-8,4	-13,1	-19,5	-27,6	-37,4
7	-4,5	-3,9	-4,9	-7,5	-11,9	-17,9	-25,7	-35,1
8	-4,9	-3,9	-4,5	-6,9	-10,9	-16,7	-24,1	-33,2
9	-5,2	-3,9	-4,3	-6,4	-10,1	-15,6	-22,7	-31,5
10	-5,5	-4	-4,1	-5,9	-9,4	-14,6	-21,5	-30
11	-5,9	-4,1	-4	-5,6	-8,9	-13,8	-20,4	-28,8
12	-6,2	-4,3	-3,9	-5,3	-8,4	-13,1	-19,5	-27,6

VII. MATERIAL, FINISHING

- Damper casings are made from galvanized sheet metal without further surface treatment.
- Damper blades are made from fire resistant asbestos free boards made of mineral fibres.
- Manual control have cover made of mechanically resistant and durable plastic and the other parts are galvanized without further surface treatment.
- Thermal fuses are made of sheet brass, thickness 0,5 mm.
- Fasteners and springs are galvanized.
- According to the customer's requirements, dampers can be made of stainless steel material.

Specifications for stainless-steel design:

- Class A2 – Food-grade stainless steel (AISI 304 – EN 1.4301)
- Class A4 – Chemistry-grade stainless steel (AISI 316, 316L – EN 1.4401, EN 1.4404)

The respective stainless steel is the material for all components that are located or entering the damper inner space; components outside the damper casing are typically from galvanised sheet metal (fasteners for mounting the actuator or manual control, mechanical components except Item 4), frame components.

The following components, including the fasteners, are made from stainless steel at all times:

- 1) Damper casing and all components permanently attached
- 2) Blade holders including pins, metal parts of blades
- 3) Control components inside the damper (L-profile, pin with lever, rod, fasteners)
- 4) Parts of a manual control entering the inner space of a damper casing (lower sheet of a manual control, lock holder "1", lock lever "2", closing spring, 8 dia. stopper pin, manual control pin)
- 5) Inspection opening cover including the stirrup and fasteners (if they are parts of the cover)
- 6) Bearing for torque transfer from the lever with pin on the blade L-profile (made from AISI 440C)

The damper blade is made from boards of homogeneous material Promatect-H, connected with galvanized "U" clips on the outside, sealed with Promat K84 glue.

Thermal fuse is identical for all material variants of the dampers. Upon specification by customer, the thermal fuse can be made from A4 from stainless steel sheet metal.

Thermoelectric activation device BAT is modified for stainless-steel variant of the dampers; standard galvanised screws are replaced with stainless-steel M4 screws of corresponding class. Damper casing has stainless-steel riveting M4 nuts.

Plastic, rubber and silicon components, sealants, foaming tapes, glass-ceramic seals, housings, brass bearings of the blade, actuators, and end switches are identical for all material variants of the dampers.

Some fasteners and components are only available in one class of stainless steel; the type will be used in all stainless-steel variants.

The damper blade in the variant for chemical environments (Class A4) is always treated with a coating of chemically resistant Promat SR.

Any other requirements for the design will be considered atypical and will be addressed on an individual basis.

VIII. TRANSPORTATION, STORAGE AND WARRANTY

Logistic terms

- Dampers are delivered on pallets. As standard, the dampers are wrapped in plastic foil for protection during transport and must not be used for long-term storage. Temperature changes during transport can cause condensation of water inside the packaging and thereby cause corrosion of materials used in the dampers (e.g. white corrosion on zinc-coated items or mould on calcium silicate). Therefore, it is necessary to remove the transport packaging immediately after unloading to allow air to circulate around the product.
- The dampers must be stored in clean, dry, well ventilated and dust-free environment out of direct sunlight. Ensure protection against moisture and extreme temperatures (minimum temperature +5°C). The dampers must be protected against mechanical and accidental damage prior to installation.
- Another required packaging system should be approved and agreed by manufacturer. Packaging material is not returnable in case that another packaging system (material) is required and used and it is not included into final price of damper.
- Dampers are transported by box freight vehicles without direct weather impact, there must not occur any shocks and ambient temperature must not exceed +50°C. Dampers must be protected against impact when transported and manipulated. During transportation, the damper blade must be in the "CLOSED" position.
- Dampers must be stored indoor in environment without any aggressive vapours, gases or dust. Indoor temperature must be in the range from -30°C to +50°C and maximum relative humidity 95%.

Warranty

- The manufacturer provides a warranty of 24 months from the date of dispatch for the dampers.
- The warranty for fire dampers FDMQ 180, provided by the manufacturer, is completely void if actuating, closing and control devices are unprofessionally handled by untrained workers or if electric components, i.e. limit switches, actuators, communication and supply devices and thermoelectric activation devices are dismantled.
- The warranty is void if dampers are used for other purposes, devices and working conditions than those allowed by these technical conditions or if the dampers are mechanically damaged during handling.
- If the dampers are damaged by transport, a record must be written down with the forwarder at reception for later complaint.

IX. ASSEMBLY, ATTENDANCE AND MAINTENANCE

- Assembly, maintenance and damper function check can be done only by qualified and trained person, i.e. "AUTHORIZED PERSON" according to the manufacturer documentation. All works done on the fire dampers must be done according international and local norms and laws.
- All effective safety standards and directives must be observed during damper assembly.
- To ensure reliable damper function it is necessary to avoid blocking the actuating mechanism and contact surfaces with collected dust, fibre and sticky materials and solvents.
- Flange and screw joints must be conductively connected to protect against dangerous contact. 2 galvanized lock washers that are placed under the head of one screw and a fastened nut are used for conductive connection.

Manual operation - actuator control without electric voltage

- A special wrench (part of the actuator) can be used to manually turn the damper blade to any position. When the wrench is turned in the direction of the arrow, the damper blade rotates to its open position. As the blade rotation is stopped, in every position, the actuator will be locked. Unlocking is possible even manually as per instructions on the actuator, or by the activation of the supply voltage.
- If the actuator is manually locked, the damper blade will not close in the event of a fire after the activation of the thermoelectric activation device BAT. To restore correct damper operation, the actuator must be unlocked (manually or by applying power supply).

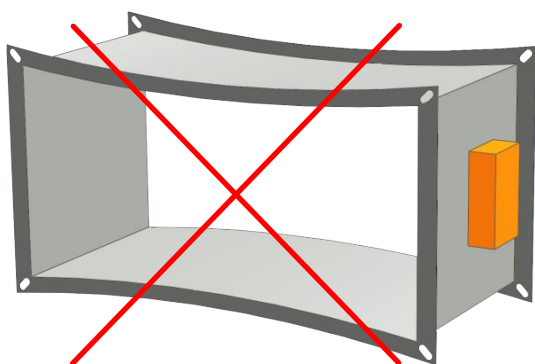
Limit switches

- If the damper is equipped with limit switches and these switches are not used during operation (e.g. because of a project change), they can be left on the damper and not connected (they need not be dismantled).
- On the other hand, if the limit switch is to be added to the damper design, the change can be implemented by change kit.
- These facts must be recorded in the respective operation documentation of the damper (record books of the damper, fire logs, etc.) and subsequently, adequate function checks must be carried out.

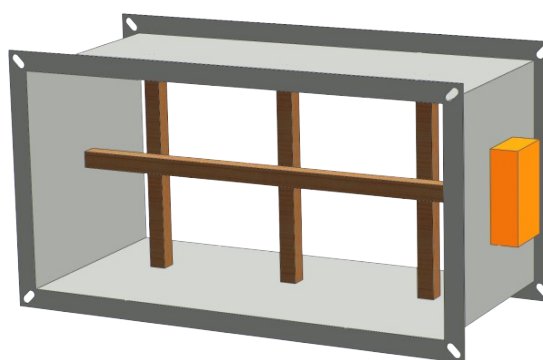
Installation / fixing the damper

- The damper casing shall not be deformed in the course of bricking in.
- Once the damper is built in, the damper blade shall not grind on the damper casing during opening or closing.

Protection of the damper casing against buckling during installation, especially for large sizes!

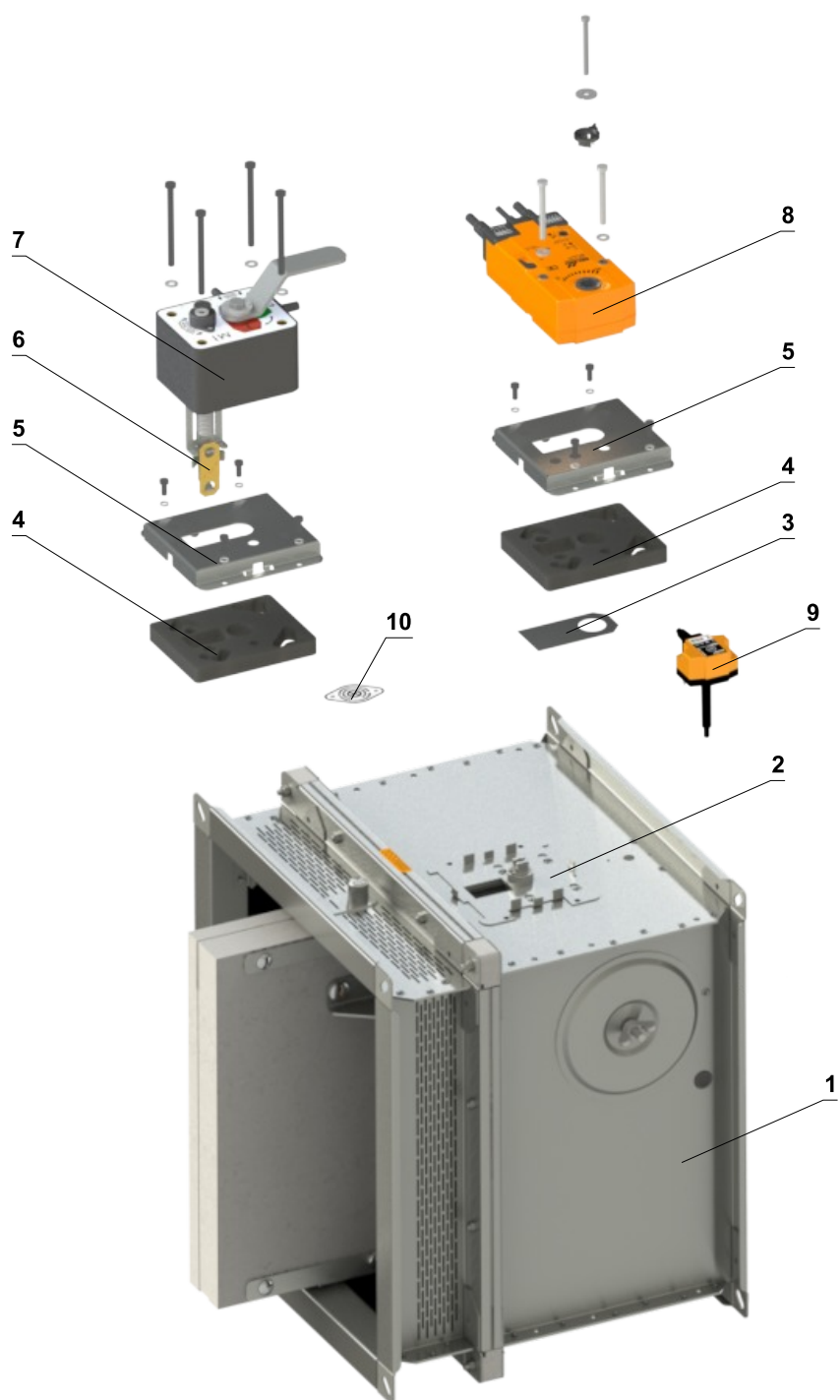


WRONG!



Reinforcement of the casing with wooden beams

Change of manual control for the actuator or vice versa



- | | |
|-------------------------------|--|
| 1 Damper | 6 Thermal fuse |
| 2 Mounting plate | 7 Manual control |
| 3 Sealing cover | 8 Spring return actuator |
| 4 Sealing of a mounting plate | 9 Thermoelectric activation device BAT |
| 5 Cover of a mounting plate | 10 Sensor sticker |

Commissioning and revisions

- Before putting the damper into operation, serviceability checks and functional tests must be carried out including testing of functionality of all electrical elements. After putting into operation these serviceability checks must be carried out at least twice a year. If no defect is found during two subsequent serviceability checks, these checks can be carried out once a year.
- In case that dampers are found unable to serve for their function for any cause, it must be clearly marked. The operator is obliged to ensure that the damper is put into condition in which it is ready for function and meanwhile he is obliged to provide the fire protection by another appropriate way.
- Results of regular checks, imperfections found and all-important facts connected with the damper function must be recorded in the "FIRE BOOK" and immediately reported to the operator.
- Before entering the dampers with actuator into operation after their assembly and by sequential checks. Check of blade rotation into the breakdown position "CLOSED" can be done after disconnecting the actuator supply (e.g. by pressing the test button at the thermoelectric activation device BAT or disconnecting the supply from ELECTRICAL FIRE SIGNALISATION). Check of blade rotation back into the "OPEN" position can be done after restoration of power supply (e.g. by releasing the test button or restoration of supply from ELECTRICAL FIRE SIGNALISATION). Without power supply, the damper can be operated manually and fixed in any required position. Release of the locking mechanism can be achieved manually or automatically by applying the supply voltage. It is recommended to provide periodical checks, maintenance and service actions on fire equipment by authorized persons. The authorized persons can be trained by producer, or by authorized distributor. All effective safety standards and directives must be observed during fire damper assembly.
- Visual inspection of proper damper installation, inner area of a damper, damper blade, contact surfaces and silicon seal.
- For regular or exceptional inspection of interior of fire damper, micro-camera device can be used. On each fire damper is an inspection opening. In the case of inspection by camera, take out the black rubber cap, insert the camera inside the damper, check interior and at the end of inspection, put the rubber cap back tightly to cover the empty hole.

For dampers with manual control, following checks must be carried out

Check of a manual control and thermal fuse

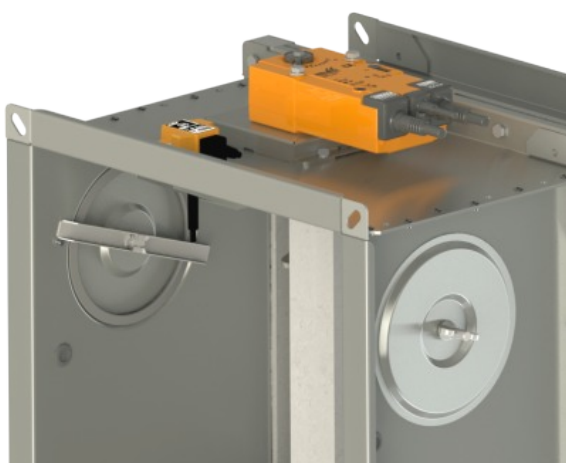
- **To check the function of the manual control proceed as follows:**
- Turn the damper blade to "CLOSED" position as follows:
 - The damper blade is in "OPEN" position.
 - Press the control button of the manual control to turn the damper blade to "CLOSED" position.
 - Check the damper blade rotation to "CLOSED" position.
 - Damper blade closing shall be smooth and fast, the control lever shall be in „CLOSED“ position.
- Turn the damper blade to "OPEN" position as follows:
 - Turn the control lever by 90°.
 - Check the damper blade rotation to "OPEN" position.
 - The lever will automatically lock in "OPEN" position.
- **Check of function and condition of the thermal fuse:**
 - To check the function and the status of the fuse it's possible to remove the manual control from the casing of the fire damper which is attached to the damper casing with four screws M6.
 - Removing the thermal fuse from the fuse holder of a manual control, checks its correct functionality.
 - The manual control is identified as M1 to M5, depending on the closing spring strength.

For dampers with actuators, following checks must be carried out

- Check the rotation of the blade to "CLOSED" failure position after disconnection the power supply of the actuator (e.g. by pressing the test button on the thermoelectric activation device BAT or by disconnection the power supply from electrical fire signalization). Check the rotation of the blade back to "OPEN" position by restoring the power supply to the actuator (e.g. by releasing the test button or by restoring the power supply from electrical fire signalization).

Before putting the dampers into operation and during subsequent function checks, the following checks must be carried out for dampers with optical smoke detector

- The function checks of the optical smoke detector are to be carried out by employees of an authorized organization who have corresponding electrotechnical qualification and have been properly trained by the manufacturer. The function checks are to be carried out as a part of function checks of the fire dampers, at least 1x a year.
- For the function checks, the damper blade should be in "CLOSED" position with the fan off or with closed air regulation situated between the fan and the fire damper.
- Inspection opening disassembly
 - Release the covering lid by turning the wing nut and while turning the lid right or left release it from the security belt. Then tilt the lid and remove it from its original position.



Inspection opening detail

- Ensure each damper is fully checked for operational capability, control should be initiated from the control system or by manual control. Damper blades should open and close correctly and operation should be visually inspected and documented prior to handover.

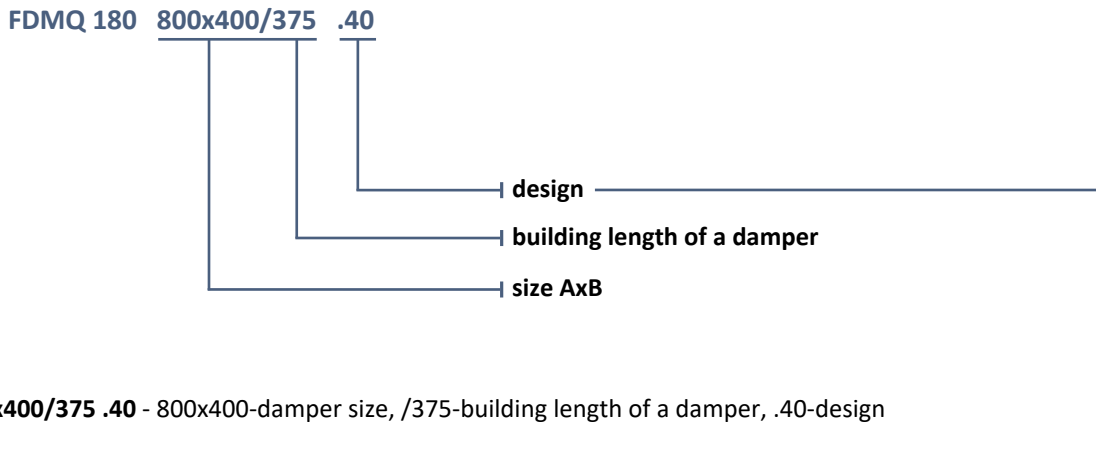
How to proceed after Tf1 or Tf2 fuses have been activated

- If the thermal fuse **Tf1** is interrupted (due to temperature outside the duct), it is necessary to replace the spring return actuator. → see page 10
- If the thermal fuse **Tf2** is interrupted (due to temperature inside the duct), only the spare part ZBAT 72 (95/120/140) needs to be replaced (acc.to the activation temperature). → see page 10

X. ORDERING INFORMATIONS

Ordering key

Fire damper



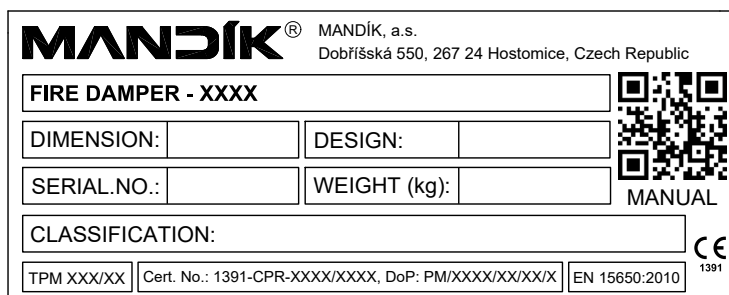
EXAMPLE:

FDMQ 180 800x400/375 .40 - 800x400-damper size, /375-building length of a damper, .40-design

Damper design	Additional digit
Manual control and thermal	.01
Manual control and thermal with a terminal switch („CLOSED“)	.11
Manual control and thermal with two terminal switches („OPEN“, „CLOSED“)	.80
With actuator BF 230-TN (BFL, BFN 230-T) - voltage AC 230 V	.40
With actuator BF 24-TN (BFL, BFN 24-T), with smoke detector ORS 142 K and with supply device BKN 230-24-MOD (voltage AC 230 V)	.41
With actuator BF 24-TN (BFL, BFN 24-T) - voltage AC/DC 24 V	.50
With actuator BF 24-TN (BFL, BFN 24-T), with smoke detector ORS 142 K (voltage AC/DC 24 V)	.51
With communication and supply device BKN 230-24 and actuator BF 24-TN-ST (BFL, BFN 24-T-ST)	.60
With communication and supply device BKN 230-24-C-MP, with actuator BF 24-TN-ST (BFL, BFN 24-T-ST)	.61
With communication and supply device BKN 230-24-C-MP, with actuator BF 24-TN-ST (BFL, BFN 24-T-ST) and with smoke detector ORS 142 K	.61S
With communication and supply device BKN 230-24-MOD, with actuator BF 24-TN-ST (BFL, BFN 24-T-ST)	.63
With communication and supply device BKN 230-24-MOD, with actuator BF 24-TN-ST (BFL, BFN 24-T-ST) and with smoke detector ORS 142 K	.63S

Data label

- Data label is placed on the damper casing (example)



The producer reserves the right for innovations of the product.
For actual product information see www.mandik.com

MANDÍK[®]

www.mandik.com